



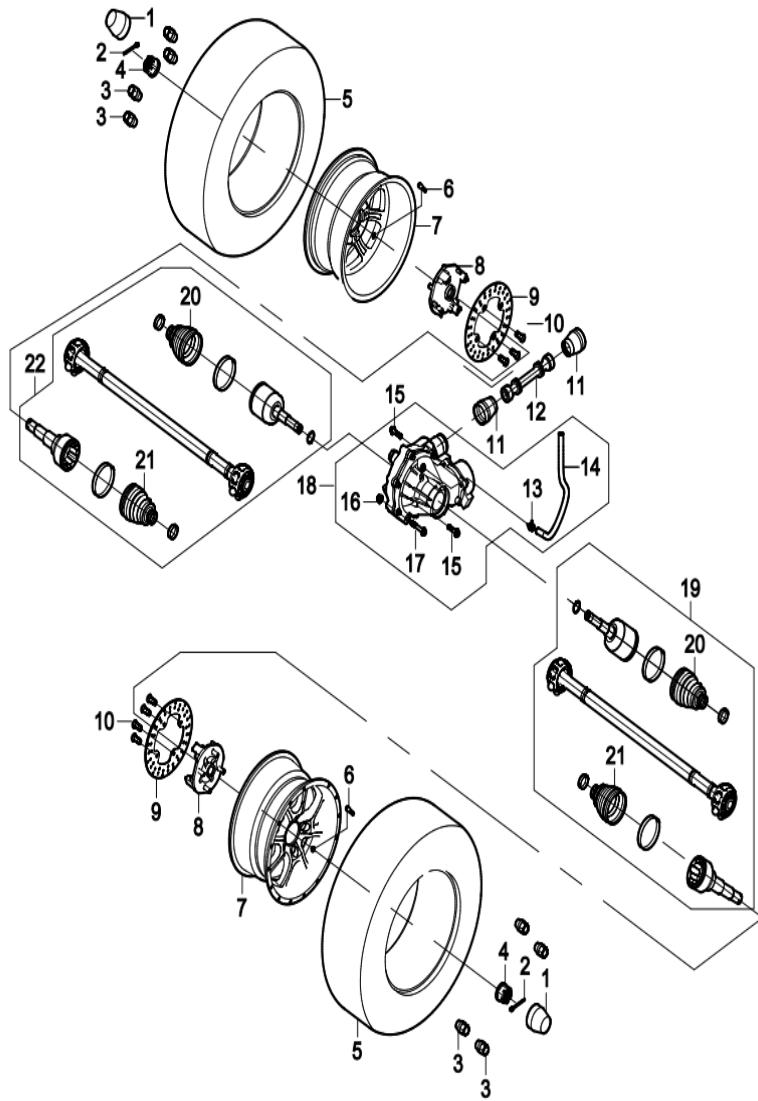
BEYOND ROADS

PATHCROSS 1000L

MODEL YEAR 2024



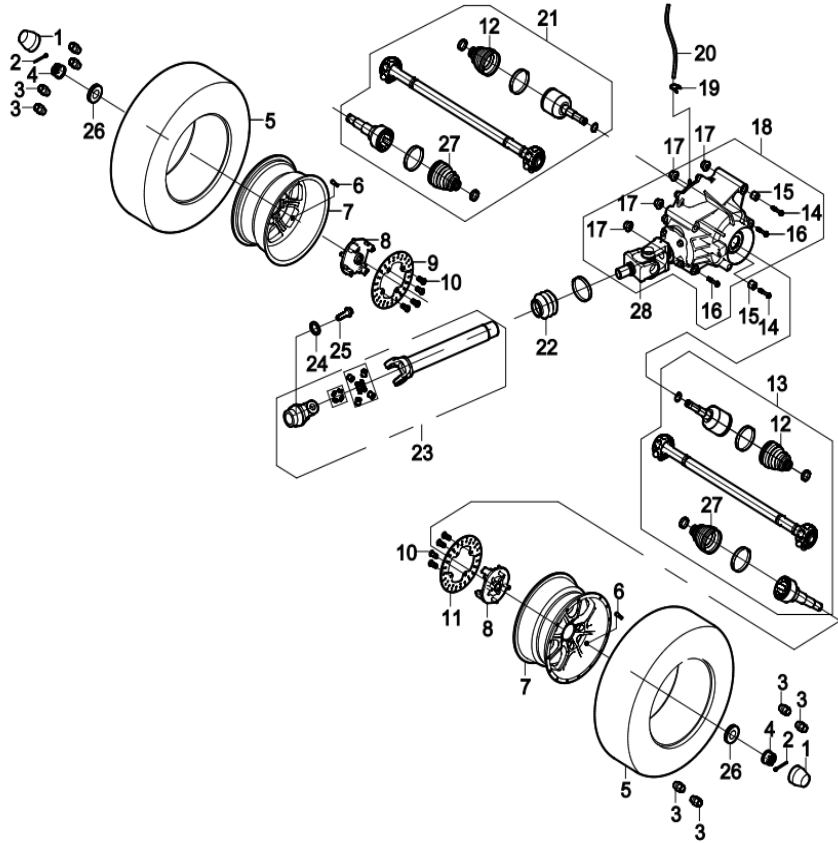
1. DIAGRAM 2024 AODES FRONT DRIVE SYSTEM F01



| ITEM # | CODE | ENGLISH NAME | QTY | WEIGHTS (kg) |
|--------|-------------|------------------------------------|-----|--------------|
| 1 | 10405230020 | Wheel Dust-Proof Cover | 2 | 0,03 |
| 1 | 17005030020 | Wheel Dust-Proof Cover | 2 | 0,03 |
| 2 | 05011400405 | Cotter Pin ϕ 4.0X40 | 2 | 0,004 |
| 3 | 04322120021 | Acorn Nut M12x1.25, Wheel | 8 | 0,058 |
| 4 | 04812220022 | Slotted Flange Nut M22x1.5 | 2 | 0,094 |
| 5 | 17005030250 | Front Tire 26X9-14 | 2 | 11,41 |
| 5 | 17005030530 | Front Tire 26X9-14 | 2 | 11,41 |
| 5 | 17005030641 | Front Tire(Cst) | 2 | 13,5 |
| 6 | 10405230030 | Air Valve | 2 | 0,009 |
| 7 | 17005030280 | Front Rim (Wheel) | 2 | 5,509 |
| 7 | 13605030401 | Front Rim 14X7 | 2 | 5,509 |
| 8 | 15101030000 | Front Wheel-Hub | 2 | 2,834 |
| 9 | 17006010020 | Front Brake Disc | 2 | 0,959 |
| 10 | 01824080201 | Allen T Type Bolt M8X20 | 8 | 0,013 |
| 11 | 17003110030 | Front Transmission Shaft | 2 | 0,029 |
| 12 | 21170101801 | Front Transmission Shaft | 1 | 0,678 |
| 13 | 21160401601 | Steel Clamp | 1 | 0,009 |
| 14 | 21130103101 | Rubber Pipe | 1 | 0,089 |
| 15 | 01256100206 | Hex Flange Bolt M10x20x1.25 | 2 | 0,022 |
| 16 | 04622100026 | Heagon Flange Locking Nut M10X1.25 | 1 | 0,013 |
| 17 | 01256100956 | Hex Flange Bolt M10X95X1.25 | 1 | 0,075 |

| | | | | | |
|--|----|-------------|----------------------------------|---|-------|
| | 18 | 21120100131 | Front Differential | 1 | 8,185 |
| | 18 | 17003100001 | Front Differential | 1 | 8,9 |
| | 19 | 17001220000 | Front C.V. Shaft, Driver Side | 1 | 3,76 |
| | 20 | 17001220120 | Dust Cover (Front C.V. Shaft) | 4 | 0,045 |
| | 21 | | | | |
| | 22 | 17001230000 | Front C.V. Shaft, Passenger Side | 1 | 3,726 |

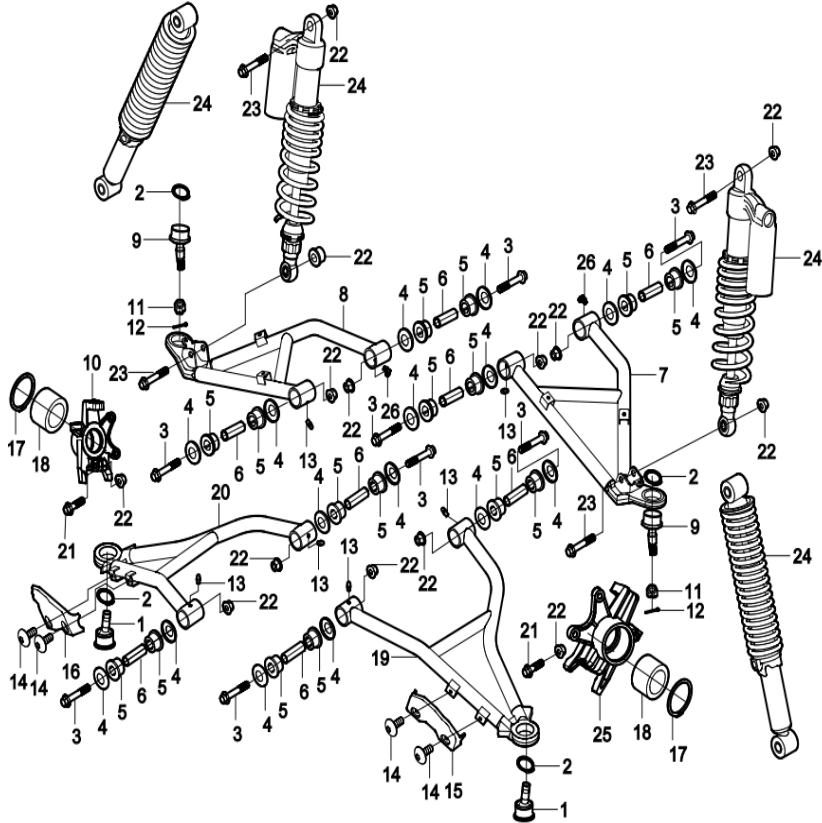
2. DIAGRAM 2024 AODES REAR DRIVE SYSTEM F02



| ITEM # | CODE | ENGLISH NAME | QTY | WEIGHTS (kg) |
|--------|-------------|--|-----|--------------|
| 1 | 10405230020 | Wheel Dust-Proof Cover | 2 | 0,03 |
| 1 | 17005030020 | Wheel Dust-Proof Cover, Rim(Wheel) | 2 | 0,03 |
| 2 | 05011400405 | Cotter Pin ϕ 4.0X40 | 2 | 0,004 |
| 3 | 04812224022 | Slotted Flange Nut M24X1.5 | 2 | 0,094 |
| 4 | 04322120021 | Acorn Nut M12x1.25, Wheel | 8 | 0,058 |
| 5 | 17005040200 | Rear Tire 26X11-14 | 2 | 13,794 |
| 5 | 17005030540 | Rear Tire, 26*11-14 (K Level) | 2 | 13,794 |
| 5 | 17005040641 | Rear Tire(Cst) | 2 | 13,794 |
| 6 | 10405230030 | Air Valve | 4 | 0,009 |
| 7 | 17005040210 | Rear Rim | 2 | 5,996 |
| 7 | 13605040261 | Rear Rim 14X8 | 2 | 5,996 |
| 8 | 15101040000 | Rear Wheel-Hub | 2 | 1,95 |
| 9 | 17006010340 | Rear Brake Disc, Driver Side | 1 | 1,177 |
| 10 | 17006010340 | Rear Brake Disc, Driver Side | 8 | 0,011 |
| 11 | 17006010350 | Rear Brake Disc, Passenger Side | 1 | 0,959 |
| 12 | 17010240050 | Dust-Proof Sleeve (Rear C.V Shaft) C2683-001 | 2 | 0,045 |
| 13 | 17001240000 | Rear C.V Shaft, Driver Side | 1 | 6,048 |
| 14 | 01256101306 | Hex Flange Bolt M10X130X1.25 | 2 | 0,009 |
| 15 | 17003120820 | Rear Differential Sleeve | 2 | 0,032 |
| 16 | 01256101206 | Hex Flange Bolt M10X120X1.25 | 2 | 0,008 |
| 17 | 04622100026 | Heagon Flange Locking Nut M10X1.25 | 4 | 0,013 |

| | | | | | |
|--|----|-------------|--|---|--------|
| | 18 | 17003120100 | Rear Reducer(Regular) | 1 | 10,092 |
| | 19 | 11904070030 | Spring Hose Clip φ8 | 1 | 0,001 |
| | 20 | 17003120720 | Rear Reducer Breath Tube,320mm | 1 | 0,017 |
| | 21 | 17001250000 | Rear C.V Shaft, Passenger Side | 1 | 6,183 |
| | 22 | 17003130030 | Rear Transmisson Shaft Dust -Proof Boot | 1 | 0,02 |
| | 23 | 17003130050 | Transmisson Shaft Assy (Atv 1000 L Only) | 1 | 2,4 |
| | 24 | 06119112835 | Washer φ10.5Xφ28X3.5 | 1 | 0,015 |
| | 25 | 01256100256 | Hex Flange Bolt M10X25X1.25 | 1 | 0,03 |
| | 26 | 15101250010 | Front Butterfly Washer | 2 | 0,036 |
| | 27 | 17010240050 | Dust-Proof Sleeve (Rear C.V Shaft) C2683-001 | 2 | 0,02 |
| | 28 | | | | |

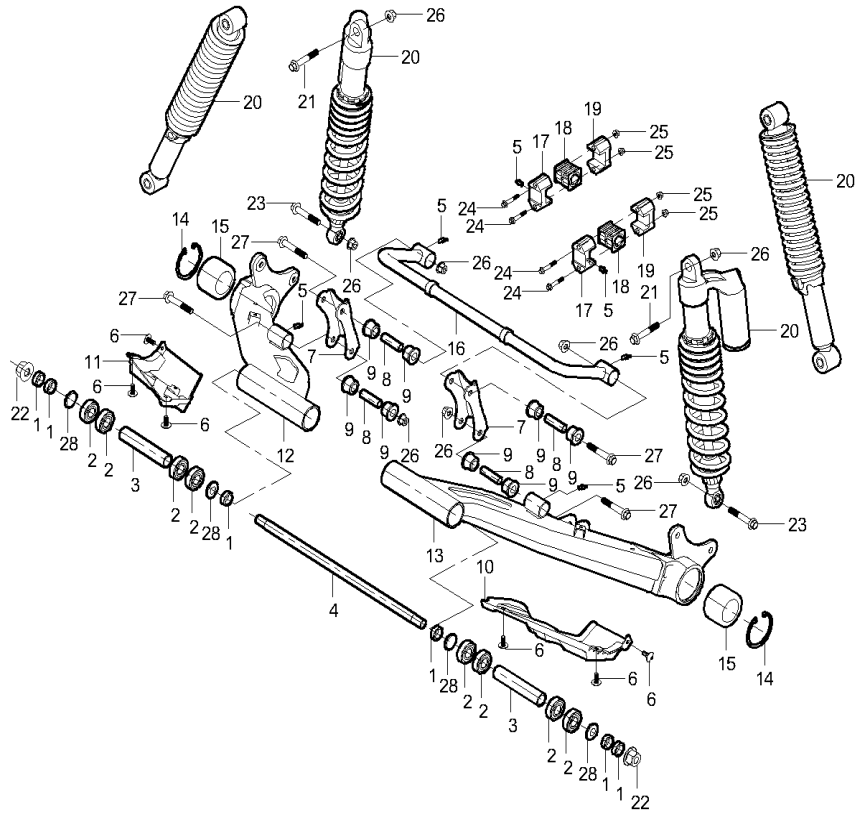
3. DIAGRAM 2024 AODES FRONT SUSPENSION SYSTEM F03



| ITEM # | CODE | ENGLISH NAME | QTY | WEIGHTS (kg) |
|--------|-------------|---|-----|--------------|
| 1 | 17300500010 | Ball Joint ϕ 34 | 2 | 0,206 |
| 2 | 07031340004 | Snap Ring ϕ 34 | 4 | 0,005 |
| 3 | 01256100756 | Hex Flange Bolt M10X75X1.25 | 8 | 0,06 |
| 4 | 13601070030 | A-Arm Nylon Sleeve Cover | 16 | 0,008 |
| 5 | 10401070020 | A-Arm Nylon Sleeve | 16 | 0,01 |
| 6 | 13601070011 | A-Arm Bushing | 8 | 0,054 |
| 7 | 17001060011 | Front Upper A-Arm, Driver Side | 1 | 1,78 |
| 7 | 17001060091 | Upper A-Arm,Fh Lh(Yellow) | 1 | 1,78 |
| 7 | 17001060221 | Upper A-Arm,Fh Lh (Red With Flake) | 1 | 1,78 |
| 8 | 17001070081 | Front Upper A-Arm, Passenger Side | 1 | 1,78 |
| 8 | 17001070211 | Upper A-Arm,Fh Rh(Yellow) | 1 | 1,78 |
| 8 | 17001070221 | Upper A-Arm,Fh Rh (Red With Flake) | 1 | 1,78 |
| 9 | 10401190000 | Ball Joint ϕ 34 | 2 | 0,216 |
| 10 | 17005220031 | Steering Knuckle, Passenger Side | 1 | 1,83 |
| 11 | 04724120026 | Castle Nut M12X1.25 | 2 | 0,02 |
| 12 | 05011250255 | Cotter Pin ϕ 2.5X25 | 2 | 0,025 |
| 13 | 10901070090 | Grease Zerk(White) | 6 | 0,002 |
| 14 | 03414060124 | Inner Hexagonalobular Socket Pan Head Screw M6x12 (Black) | 4 | 0,006 |
| 15 | 17001220100 | Front C.V. Shaft Cover (Driver Side) | 1 | 0,043 |
| 16 | 17001230100 | Front C.V. Shaft Cover (Passenger Side) | 1 | 0,043 |
| 17 | 07011630004 | C-Clamp 63 | 2 | 0,011 |

| | | | | | |
|--|----|-------------|--|----|-------|
| | 18 | 09560306342 | Bearing Dac306342 | 2 | 0,549 |
| | 19 | 17001080021 | Front Lower A-Arm, Driver Side | 1 | 1,72 |
| | 19 | 17001080161 | Front Lower A-Arm, Driver Side (Red With Flake) | 1 | 1,72 |
| | 19 | 17001080171 | Lower A-Arm,Fh,Lh (Yellow) | 1 | 1,72 |
| | 20 | 17001090021 | Front Lower A-Arm, Passenger Side | 1 | 1,72 |
| | 20 | 17001090151 | Front Lower A-Arm, Passenger Side (Red With Flake) | 1 | 1,72 |
| | 20 | 17001090161 | Lower A-Arm,Fh,Rh(Yellow) | 1 | 1,72 |
| | 21 | 17001190071 | Hex Flange Bolt M10X55X1.25 | 2 | 0,04 |
| | 22 | 04622100026 | Heagon Flange Locking Nut M10X1.25 | 14 | 0,013 |
| | 23 | 01256100556 | Hex Flange Bolt M10X55X1.25 | 4 | 0,044 |
| | 24 | 17301010131 | Front Shock (Ming Lang-Normal) | 2 | 2,942 |
| | 24 | 17001010051 | Front Shock (Ming Lang-Normal Yellow) | 2 | 2,942 |
| | 24 | 17001010122 | Front Shock (Ming Lang-Gasbag Red) | 2 | 2,942 |
| | 25 | 17005210031 | Steering Knuckle, Driver Side | 1 | 1,83 |
| | 26 | | | | |

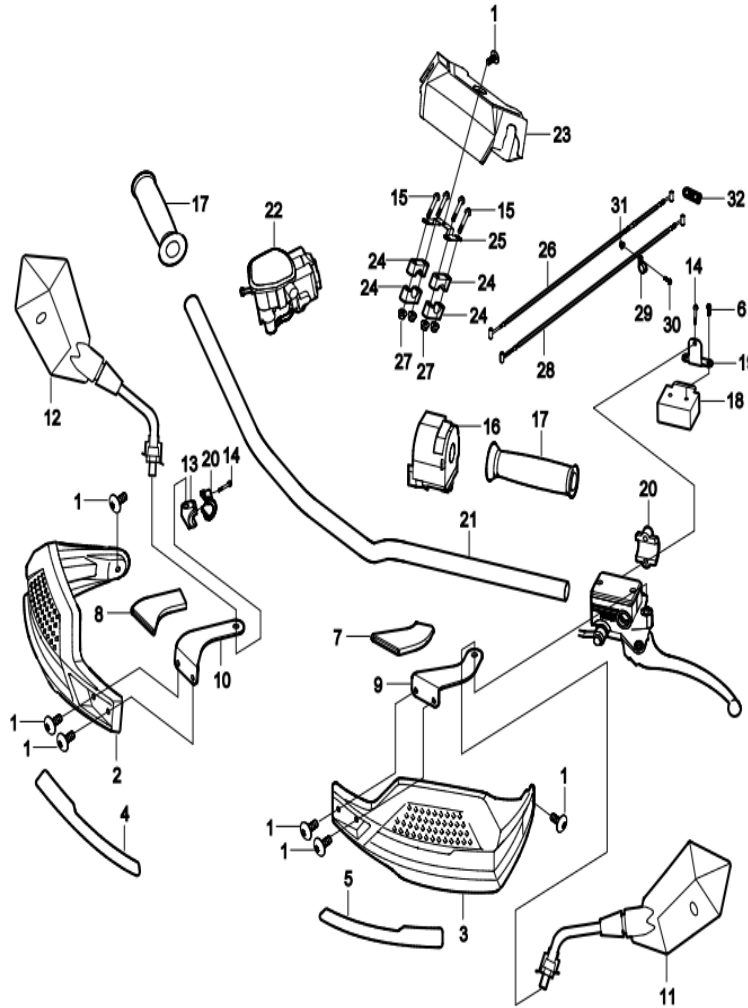
4. DIAGRAM 2024 AODES REAR SUSPENSION SYSTEM F04



| ITEM # | CODE | ENGLISH NAME | QTY | WEIGHTS (kg) |
|--------|-------------|---|-----|--------------|
| 1 | 17001100080 | Rear A-Arm Outer Bushing | 6 | 0,02 |
| 2 | 09560006203 | Ball Bearing 6203-2 Rs | 8 | 0,064 |
| 3 | 17001100070 | Rear A-Arm Ling Tube | 2 | 0,2 |
| 4 | 17001100060 | Rear A-Arm Connecting Shaft | 1 | 0,2 |
| 5 | 10901070090 | Grease Zerk(White) | 6 | 0,002 |
| 6 | 03414060124 | Inner Hexagonalobular Socket Pan Head Screw M6x12 (Black) | 6 | 0,006 |
| 7 | 17001210080 | Balance Bar Connecting Plate | 2 | 0,26 |
| 8 | 17001210090 | Sway Bar Lining | 4 | 0,02 |
| 9 | 16201070020 | Nylon Sleeve | 8 | 0,008 |
| 10 | 17001120020 | Rear Lower A-Arm Guard Board, Driver Side | 1 | 0,103 |
| 11 | 17001130020 | Rear Lower A-Arm Guard Board, Passenger Side | 1 | 0,103 |
| 12 | 17001100000 | Rear A-Arm,Passenger Side | 1 | 6,54 |
| 12 | 17001110070 | Rear Swing Arm ,Rh(Yellow) | 1 | 6,54 |
| 12 | 17001110120 | Rear A-Arm,Passenger Side(Red With Flake) | 1 | 6,54 |
| 13 | 17001110000 | Rear A-Arm,Driver Side | 1 | 6,54 |
| 13 | 17001100110 | Rear Swing Arm ,Lh(Yellow) | 1 | 6,54 |
| 13 | 17001100120 | Rear A-Arm,Driver Side(Red With Flake) | 1 | 6,54 |
| 14 | 07011630004 | C-Clamp 63 | 2 | 0,011 |
| 15 | 09560306342 | Bearing Dac306342 | 2 | 0,549 |
| 16 | 17001210020 | Sway Bar | 1 | 2 |
| 17 | 17001210030 | Sway Bar Block | 2 | 0,247 |

| | | | | | |
|--|----|-------------|--------------------------------------|---|-------|
| | 18 | 17001210040 | Sway Bar Cusion | 2 | 0,025 |
| | 19 | 17001210070 | Sway Bar Block(Grease Fitting) | 2 | 0,245 |
| | 20 | 17001020142 | Rear Shock Absorber (Red With Flake) | 2 | 3,6 |
| | 20 | 17301020021 | Rear Shock Absorber(Normal) | 2 | 3,6 |
| | 20 | 17001020061 | Rear Shock Absorber(Normal Yellow) | 2 | 3,6 |
| | 21 | 01256100606 | Hex Flange Bolt M10x60x1.25 | 2 | 0,05 |
| | 22 | 04632160025 | Hex Flange Locking Nut M16x2.0 | 2 | 0,04 |
| | 23 | 01256100556 | Hex Flange Bolt M10X55X1.25 | 2 | 0,044 |
| | 24 | 01214080806 | Hex Flange Bolt M8x80 | 4 | 0,04 |
| | 25 | 04612080026 | Hex Flange Locking Nut M8 | 4 | 0,01 |
| | 26 | 04622100026 | Heagon Flange Locking Nut M10X1.25 | 8 | 0,013 |
| | 27 | 01256100706 | Hex Flange Bolt M10X70X1.25 | 4 | 0,057 |
| | 28 | 11010025405 | Oil Seal φ40X25X5 | 4 | 0,008 |
| | 29 | 01256100606 | Hex Flange Bolt M10x60x1.25 | 2 | 0,05 |

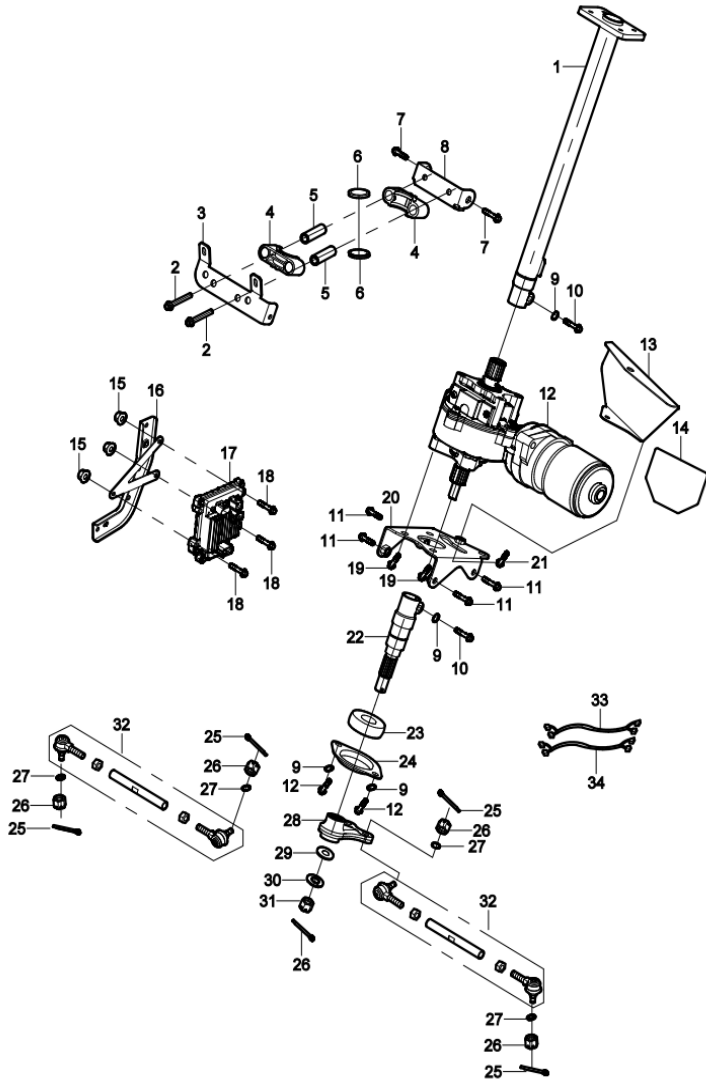
5. DIAGRAM 2024 AODES HANDLEBAR F05



| ITEM # | CODE | ENGLISH NAME | QTY | WEIGHTS (kg) |
|--------|-------------|---|-----|--------------|
| 1 | 03414060124 | Inner Hexagonalobular Socket Pan Head Screw M6x12 (Black) | 7 | 0,005 |
| 2 | 17005160090 | Handle Bar Cover, Passenger Side | 1 | 0,14 |
| 3 | 17005160080 | Handle Bar Cover, Driver Side | 1 | 0,14 |
| 4 | 17014190100 | Handle Bar Cover Reflective Stripe,Passenger Side | 1 | 0,023 |
| 5 | 17014190090 | Handle Bar Cover Reflective Stripe,Driver Side | 1 | 0,023 |
| 6 | 03174040104 | Round Head Screw M4X10 | 2 | 0,001 |
| 7 | 17005160290 | Handle Bar Cover Left Mounting Board Boot | 1 | 0,023 |
| 8 | 17005160300 | Handle Bar Cover Right Mounting Board Boot | 1 | 0,023 |
| 9 | 17005160030 | Handle Bar Cover Left Mounting Board | 1 | 0,1 |
| 10 | 17005160040 | Handle Bar Cover Right Mounting Board | 1 | 0,1 |
| 11 | 13605140000 | Rear View Mirror, Driver Side | 1 | 0,28 |
| 11 | 17005140000 | Rear View Mirror,Driver Side | 1 | 0,28 |
| 12 | 13605150000 | Rear View Mirror, Passenger Side | 1 | 0,28 |
| 12 | 17005150000 | Rear View Mirror,Passenger Side | 1 | 0,28 |
| 13 | 17006010560 | Brake Lever Half Cover | 1 | 0,052 |
| 14 | 01224060225 | Hex Flange Bolt M6X22 | 4 | 0,01 |
| 15 | 01214080655 | Hex Flange Bolt M8x65 | 4 | 0,033 |
| 16 | 17009190080 | Combination Switch | 1 | 0,14 |
| 17 | 13605130000 | Handle Bar Grip | 2 | 0,09 |
| 18 | 17014250130 | Winch Control Handle | 1 | 0,17 |
| 19 | 17014250150 | Winch Control Hand Bar Mounting Board | 1 | 0,02 |

| | | | | | |
|--|----|-------------|--|---|-------|
| | 20 | 17006010560 | Brake Lever Half Cover | 1 | 0,052 |
| | 21 | 17005160000 | Handle Bar | 1 | 1,26 |
| | 22 | 17011070010 | Accelerator | 1 | 0,3 |
| | 23 | 17311070010 | Throttle Housing | 1 | 0,3 |
| | 24 | 17005160120 | Steering Column Cover | 1 | 0,11 |
| | 25 | 13605170010 | Handle Bar Block | 4 | 0,03 |
| | 26 | 17005170050 | Handle Bar Middle Cover Location Board | 1 | 0,03 |
| | 27 | 17011010010 | Throttle Cable | 1 | 0,067 |
| | 28 | 04612080026 | Hex Flange Locking Nut M8 | 4 | 0,009 |
| | 29 | 17011020040 | Parking Cable(Long Vesion) | 1 | 0,445 |
| | 30 | 17006010090 | Clamp (For Brake Oil Pipe) | 1 | 0,008 |
| | 31 | 01254060166 | Hex Flange Bolt M6x16 | 1 | 0,005 |
| | 32 | 04612060026 | Hex Flange Locking Nut M6 | 1 | 0,004 |
| | 33 | 17009010300 | Harness Clip | 1 | 0,02 |

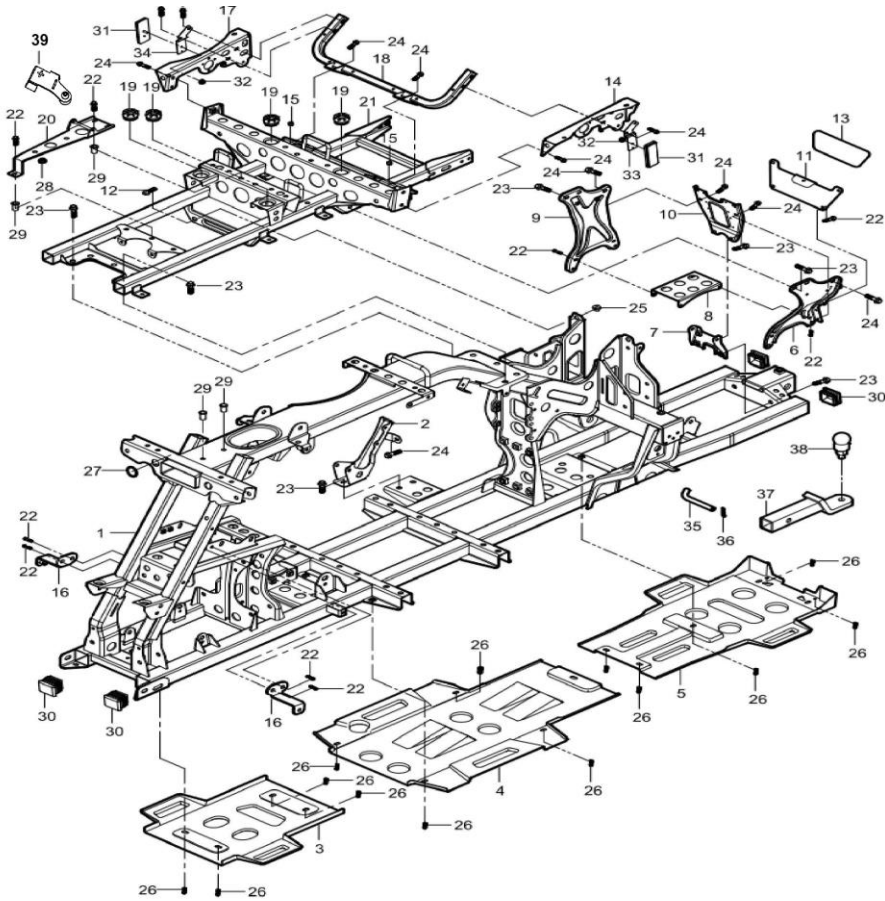
6.1 DIAGRAM 2024 AODES STEERING SYSTEM(SEPARATED EPS) F06-1



| ITEM # | CODE | ENGLISH NAME | QTY | WEIGHTS (kg) |
|--------|-------------|--|-----|--------------|
| 1 | 17005050090 | Steering Colum (For Eps) | 1 | 1,337 |
| 2 | 01214080656 | Hex Flange Bolt M8X65 | 2 | 0,033 |
| 3 | 17007020070 | Air Filter Front Mounting Board | 1 | 0,14 |
| 4 | 13605190000 | Steering Column Block | 2 | 0,017 |
| 5 | 13605190010 | Steering Column Block Bushing | 2 | 0,04 |
| 6 | 11020038310 | O-Ring ϕ 32.5X3 | 2 | 0,002 |
| 7 | 01256100206 | Hex Flange Bolt M10x20x1.25 | 2 | 0,022 |
| 8 | 17005190040 | Steering Colum Fixation Mounting Board | 1 | 0,17 |
| 9 | 06619081405 | Spring Washer ϕ 8 | 4 | 0,001 |
| 10 | 01224080306 | Hex Flange Bolt M8x30 | 2 | 0,02 |
| 11 | 01224080206 | Hex Flange Bolt M8x20 | 8 | 0,015 |
| 12 | 17005270180 | EPS | 1 | 5,997 |
| 13 | 17005270150 | EPSHeat Insulation Board li | 1 | 0,15 |
| 14 | 17014130010 | Heat Insulation Film | 1 | 0,009 |
| 15 | 04612060026 | Hex Flange Locking Nut M6 | 3 | 0,004 |
| 16 | 17005270160 | EPSController Bracket | 1 | 0,481 |
| 17 | 17005270190 | EPS Controller | 1 | 0,819 |
| 18 | 01214060356 | Hex Flange Bolt M6x35 | 3 | 0,012 |
| 19 | 01225100206 | Hex Flange Bolt M10X20X1.5 | 4 | 0,026 |
| 20 | 17005270060 | EPSPMounting Board | 1 | 0,41 |
| 21 | 01254060166 | Hex Flange Bolt M6x16 | 1 | 0,007 |

| | | | | | |
|--|----|-------------|---|---|-------|
| | 22 | 17005110011 | Swing Arm Connecting Shaft Assy | 1 | 0,418 |
| | 23 | 09561726204 | Bearing Cs204 S47X20X14 | 1 | 0,099 |
| | 24 | 17005050150 | Steering Column Bearing Pressing Plate | 1 | 0,04 |
| | 25 | 05011300252 | Cotter Pin ϕ 3.0X25 | 3 | 0,002 |
| | 26 | 04712100022 | Castle Nut M10X1.25 | 4 | 0,016 |
| | 27 | 06119102005 | Flat Washer ϕ 10.5 \times ϕ 20 \times 2 | 4 | 0,004 |
| | 28 | 17005110002 | Steering Rocker Arm | 1 | 0,317 |
| | 29 | 16101140050 | Washer ϕ 16.3X31.5X1.75 | 1 | 0,008 |
| | 30 | 06619162405 | Spring Washer ϕ 16 | 1 | 0,015 |
| | 31 | 04722160022 | Castle Nut 16X1.5 | 1 | 0,05 |
| | 32 | 13605120001 | Steering Tie Rod | 2 | 0,716 |
| | 33 | 17005270110 | Motor Extension Wire | 1 | 0,2 |
| | 34 | 17005270170 | Sensor Extension Wire | 1 | 0,04 |

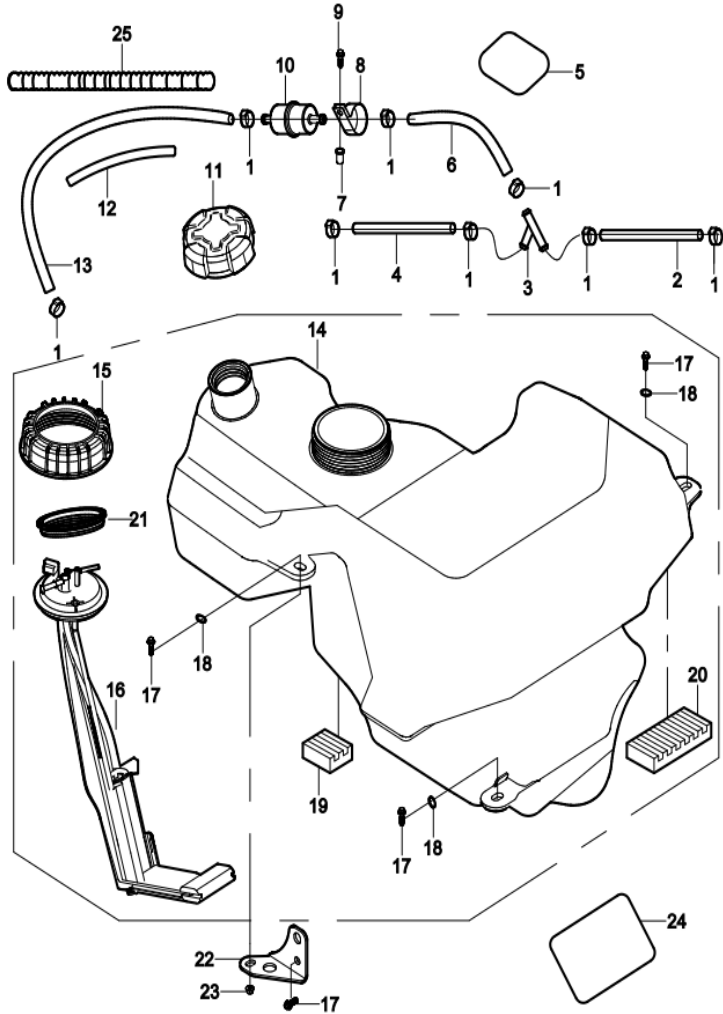
7.1 DIAGRAM 2024 AODES FRAME&ACCESSORIES (EUROPE STANDARD) F07-1



| ITEM # | CODE | ENGLISH NAME | QTY | WEIGHTS (kg) |
|--------|-------------|--|-----|--------------|
| 1 | 17008010000 | Frame | 1 | 39,2 |
| 2 | 17006080010 | Main Pump Mounting Bracket (Longt) | 1 | 0,54 |
| 3 | 17008010060 | Front Bottom Guard Board | 1 | 0,246 |
| 4 | 17008010080 | Middle Bottom Guard Board | 1 | 0,591 |
| 5 | 17008010070 | Rear Bottom Guard Board | 1 | 0,384 |
| 6 | 17008250060 | Rear Reducer Mounting Board, Driver Side | 1 | 1 |
| 7 | 17008250090 | Rear Reducer Reinforcing Board 2 | 1 | 0,28 |
| 8 | 17004180030 | Fuel Tank Rear Mounting Board | 1 | 0,3 |
| 9 | 17008250070 | Rear Reducer Mounting Board, Passenger Side | 1 | 1 |
| 10 | 17008250080 | Rear Reducer Reinforcing Board 1 | 1 | 0,47 |
| 11 | 17004180010 | Fuel Tank Heat Insulation Board | 1 | 0,34 |
| 12 | 01256100256 | Hex Flange Bolt M10X25X1.25 | 2 | 0,026 |
| 13 | 17014130010 | Heat Insulation Film | 1 | 0,011 |
| 14 | 17008130150 | Rear Storage Supporting Board,Driver Side | 1 | 0,85 |
| 15 | 04612080026 | Hex Flange Locking Nut M8 | 2 | 0,009 |
| 16 | 17010580030 | Front Mud Fender Mounting Ear | 2 | 0,05 |
| 17 | 17008130160 | Rear Storage Supporting Board,Passenger Side | 1 | 0,86 |
| 18 | 17008130010 | Rear Storage Rack Connecting Frame | 1 | 1,34 |
| 19 | 17014020010 | Seat Saddle Rubber Mat | 4 | 0,02 |
| 20 | 17009090200 | Battery Pressing Board | 1 | 0,32 |
| 21 | 17008010010 | Long Model Subframe | 1 | 7,97 |

| | | | | | |
|--|----|-------------|--|----|-------|
| | 22 | 01254060166 | Hex Flange Bolt M6x16 | 17 | 0,007 |
| | 23 | 01256100206 | Hex Flange Bolt M10x20x1.25 | 14 | 0,022 |
| | 24 | 01224080166 | Hex Flange Bolt M8x16 | 16 | 0,013 |
| | 25 | 04622100026 | Heagon Flange Locking Nut M10X1.25 | 2 | 0,013 |
| | 26 | 03414060164 | Inner Hexalobular Socket Pan Head Screws M6X16 | 14 | 0,007 |
| | 27 | 17012050170 | Water Pipe Spacer Bush | 1 | 0,008 |
| | 28 | 10710150170 | Seat Bottom Rubber Rubber, Outside | 2 | 0,008 |
| | 29 | 04512060027 | Rivet Nut M6 | 17 | 0,007 |
| | 30 | 17008010050 | Rubber Plug(40*40) | 4 | 0,003 |
| | 31 | 13609180080 | Retroreflector (Red Rectangle) | 2 | 0,023 |
| | 32 | 04112050025 | Hex Flange Nut M5 | 2 | 0,003 |
| | 33 | 17009180100 | Reflector Installation Plate,Driver Side | 1 | 0,05 |
| | 34 | 17009180110 | Reflector Installation Plate,Passenger Side | 1 | 0,05 |
| | 35 | 10908420030 | Tow Ball Fixed Pin | 1 | 0,226 |
| | 36 | 10908420040 | Tow Ball Pin | 1 | 0,012 |
| | 37 | 10908420080 | Trailer Pothook | 1 | 2,254 |
| | 38 | 17308420010 | Tow Ball 2" | 1 | 1,1 |
| | 39 | 17009090280 | | | |

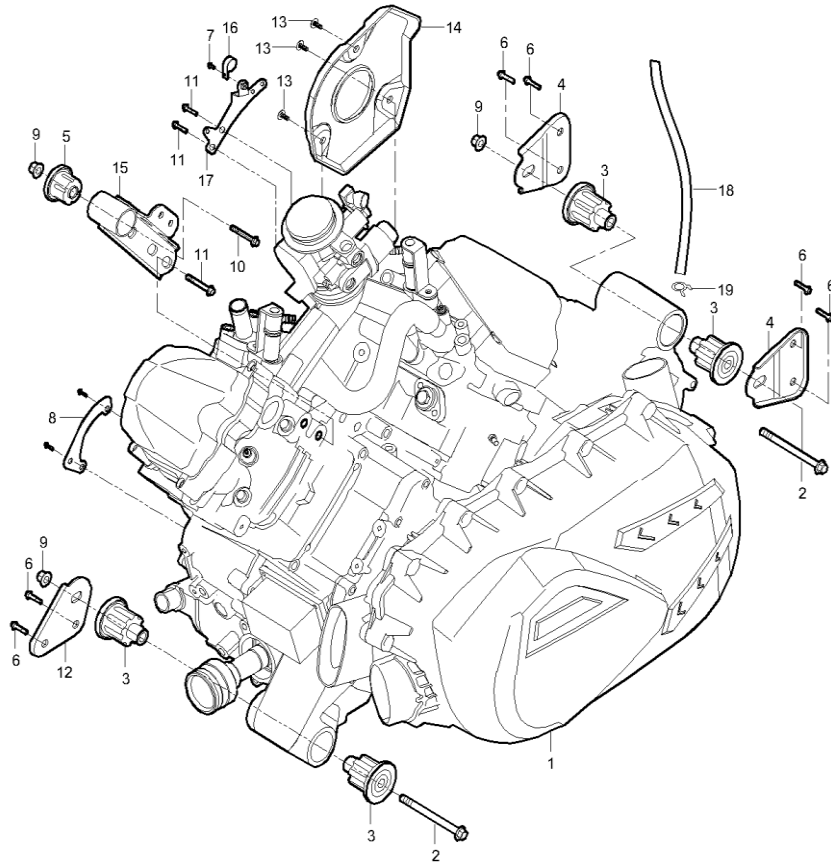
8. DIAGRAM 2024 AODES FUEL SYSTEM (1000CC) F08



| ITEM # | CODE | ENGLISH NAME | QTY | WEIGHTS (kg) |
|--------|-------------|--|-----|--------------|
| 1 | 21170104101 | Hose Clamp 14.8mm | 8 | 0,003 |
| 2 | 21170103801 | Fuel Hose | 1 | 0,016 |
| 3 | 21170102801 | Y Type Copper Tee | 1 | 0,009 |
| 4 | 21170103801 | Fuel Hose | 1 | 0,017 |
| 5 | 17014130010 | Heat Insulation Film | 1 | 0,009 |
| 6 | 21170104001 | Fuel Hose | 1 | 0,07 |
| 7 | 04512060027 | Rivet Nut M6 | 1 | 0,007 |
| 8 | 17004060010 | Fuel Filter Bracket | 1 | 0,018 |
| 9 | 01254060166 | Hex Flange Bolt M6x16 | 1 | 0,007 |
| 10 | 17004060000 | Fuel Filter | 1 | 0,065 |
| 11 | 17004020000 | Tank Cap | 1 | 0,069 |
| 12 | 10904040080 | Fuel Hose Protection Spring $\phi 17$ L=650mm | 1 | 0,071 |
| 13 | 17001040620 | Fuel Hose (Long) | 1 | 0,06 |
| 14 | 17004010160 | Fuel Tank | 1 | 4,246 |
| 15 | 17004010190 | Fuel Pump Top Cover | 1 | 0,05 |
| 16 | 17004080000 | Fuel Pump | 1 | 0,699 |
| 17 | 01224080306 | Hex Flange Bolt M8x30 | 4 | 0,044 |
| 18 | 06219092205 | Cross Pan Head Bolt $\phi 8.5 \times \phi 22 \times 2$ | 3 | 0,005 |
| 19 | 17004010210 | Fuel Tank Cushion Washer 1 | 1 | 0,006 |
| 20 | 17004010220 | Fuel Tank Cushion Washer 2 | 1 | 0,012 |
| 21 | | | | |

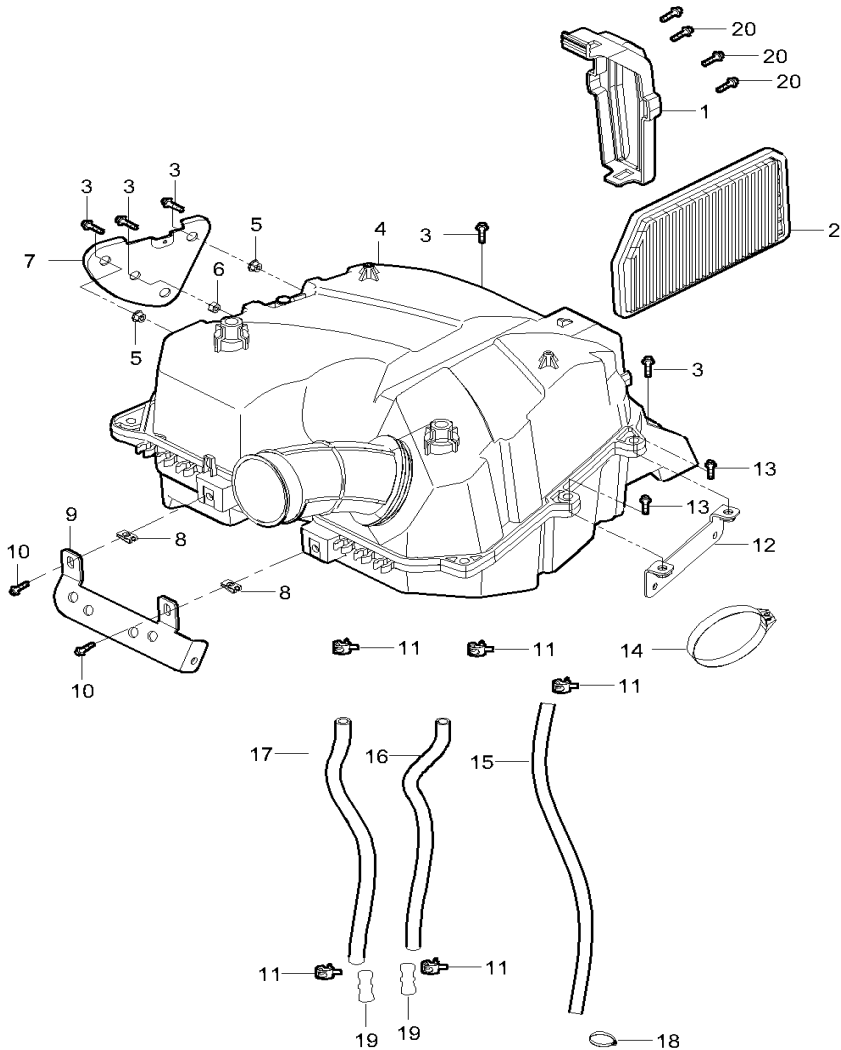
| | | | | | |
|--|----|-------------|---|---|-------|
| | 22 | 17004180020 | Fuel Tank Front Mounting Board | 1 | 0,08 |
| | 23 | 04612080026 | Hex Flange Locking Nut M8 | 1 | 0,009 |
| | 24 | 17014130010 | Heat Insulation Film | 1 | 0,028 |
| | 25 | 13204040540 | Fuel Hose Protection Spring $\phi 17$ L=300mm | 1 | 0,01 |

9. DIAGRAM 2024 AODES ENGINE INSTALLATION F09

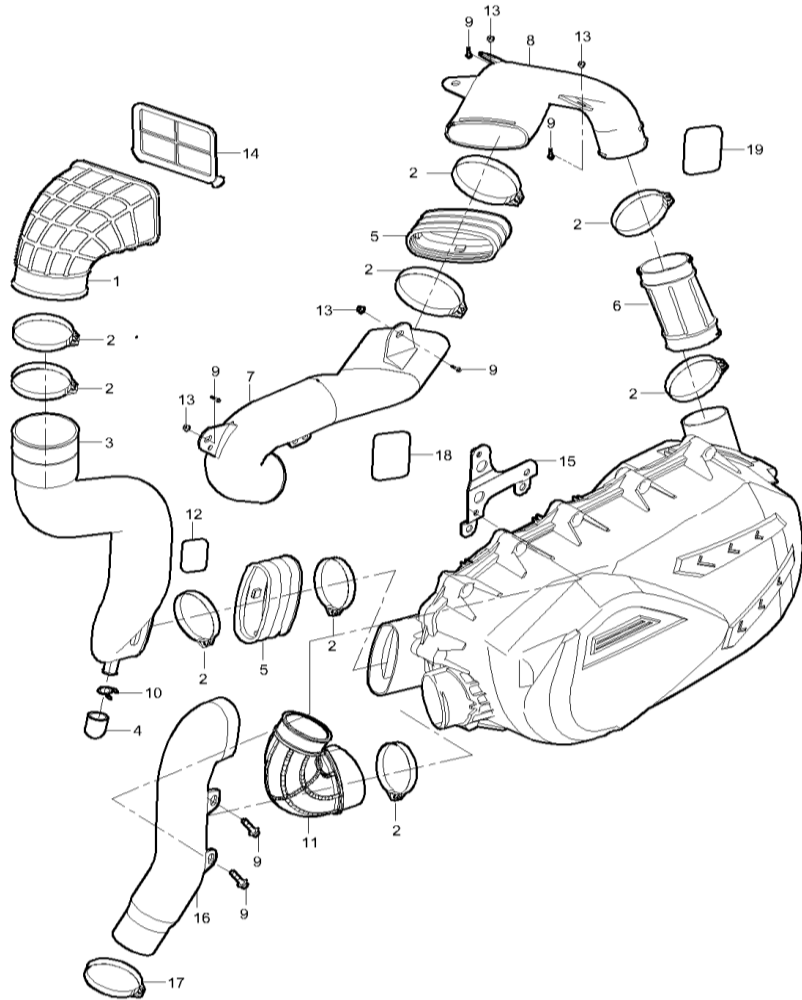


| ITEM # | CODE | ENGLISH NAME | QTY | WEIGHTS (kg) |
|--------|-------------|---|-----|--------------|
| 1 | 41000409115 | Engine Assembly 1000cc | 1 | 85 |
| 2 | 01256101256 | Hex Flange Bolt M10X125X1.25 | 2 | 0,1 |
| 3 | 21040206301 | Anti-Vibration Mount | 4 | 0,066 |
| 4 | 17002180010 | Engine Rear Mounting Board | 2 | 0,1 |
| 5 | 21021100301 | Engine Upper Hanging Bracket Rubber Boot | 1 | 0,032 |
| 6 | 01224080166 | Hex Flange Bolt M8x16 | 6 | 0,013 |
| 7 | 01254060166 | Hex Flange Bolt M6x16 | 1 | 0,007 |
| 8 | 17012050060 | Water Outlet Mounting Board | 1 | 0,02 |
| 9 | 04622100026 | Heagon Flange Locking Nut M10X1.25 | 3 | 0,013 |
| 10 | 01256100506 | Hex Flange Bolt M10X50X1.25 | 1 | 0,05 |
| 11 | 01225100206 | Hex Flange Bolt M10X20X1.5 | 4 | 0,026 |
| 12 | 17002170010 | Engine Front Right Mounting Board | 1 | 0,1 |
| 13 | 03414060124 | Inner Hexagonalobular Socket Pan Head Screw M6x12 (Black) | 3 | 0,006 |
| 14 | 17007030120 | CVT Cover(Front Right) | 1 | 0,069 |
| 15 | 17002110000 | Engine Upper Hanging Bracket(Atv1000 Only) | 1 | 0,25 |
| 16 | 10109380030 | Wire Harness Mounting Clamp 3 | 1 | 0,005 |
| 17 | 17009010290 | Wire Fixing Board (1000Cc Only) | 1 | 0,07 |
| 18 | 17003120720 | Rear Reducer Breath Tube,320mm | 1 | 0,014 |
| 19 | 11904070030 | Spring Hose Clip φ8 | 1 | 0,001 |

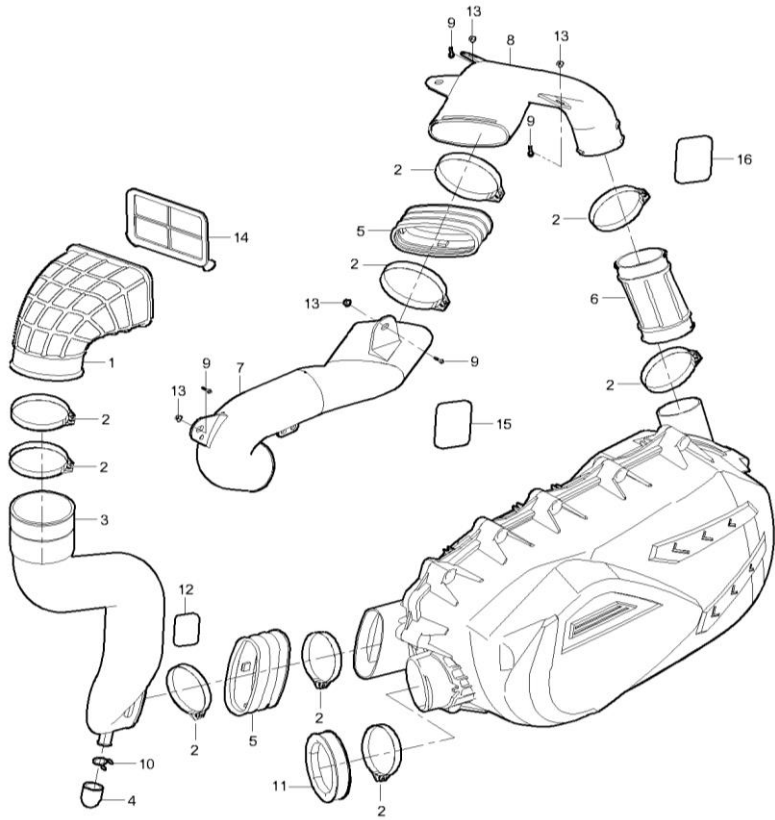
10. DIAGRAM 2024 AODES INTAKE SYSTEM F10



| ITEM # | CODE | ENGLISH NAME | QTY | WEIGHTS (kg) |
|--------|-------------|------------------------------------|-----|--------------|
| 1 | 21170101723 | Air Filter Buckle | 1 | 0,06 |
| 2 | 21170101731 | Air Filter | 1 | 0,075 |
| 3 | 01224080166 | Hex Flange Bolt M8x16 | 5 | 0,013 |
| 4 | 21051101802 | Air Filter Assembly(1000cc) | 1 | 2,024 |
| 5 | 04612080026 | Hex Flange Locking Nut M8 | 2 | 0,009 |
| 6 | 04212080026 | Hex. Nut M8 | 1 | 0,005 |
| 7 | 17008220000 | Shiting Fixing Board | 1 | 0,11 |
| 8 | 04922060025 | Plate Nut (Long) M6 | 2 | 0,002 |
| 9 | 17007020070 | Air Filter Front Mounting Board | 1 | 0,14 |
| 10 | 01254060166 | Hex Flange Bolt M6x16 | 5 | 0,007 |
| 11 | 17004070060 | Clamp φ14.5 | 5 | 0,003 |
| 12 | 17009590010 | ECU Mounting Bracket | 1 | 0,06 |
| 13 | 01254060256 | Hex Flange Bolt M6x25 | 2 | 0,01 |
| 14 | 17007030270 | Clamp φ60-φ80 | 1 | 0,022 |
| 15 | 21170102101 | Crankcase Off-Gas Line (Left Case) | 1 | 0,03 |
| 16 | 17007020130 | Air Filter Overflow Pipe,472mm | 1 | 0,105 |
| 17 | 17007020130 | Air Filter Overflow Pipe,472mm | 1 | 0,9 |
| 18 | 21130103201 | Clamp | 1 | 0,006 |
| 19 | 21170103401 | Air Filter Drain Stopper | 2 | 0,002 |
| 20 | 21051101813 | Hex Socket Cap Screw M5X16 | 6 | 0,005 |

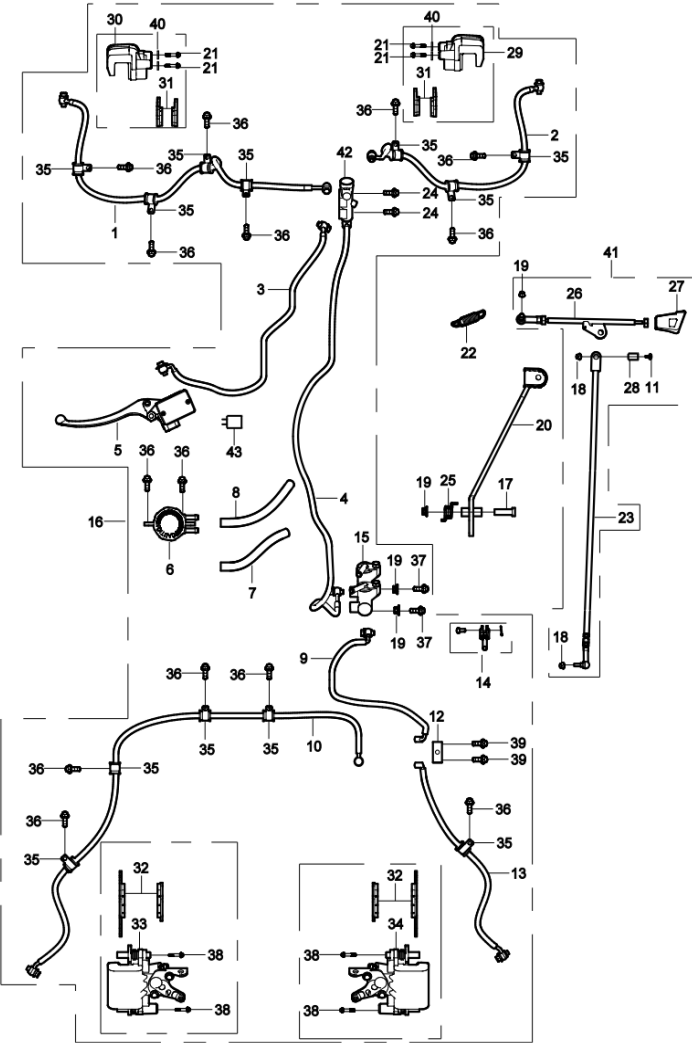
11.1 DIAGRAM 2024 AODES CVT INTAKE&EXHAUST SYSTEM(STANDARD) F11-1


| ITEM # | CODE | ENGLISH NAME | QTY | WEIGHTS (kg) |
|--------|-------------|---------------------------------|-----|--------------|
| 1 | 17307030260 | CVT Air Inlet Boot | 1 | 0,198 |
| 2 | 17007030270 | Clamp $\phi 60-\phi 80$ | 9 | 0,022 |
| 3 | 17007030000 | CVT Intake Pipe | 1 | 0,335 |
| 4 | 17007050160 | Drain Stopper | 1 | 0,002 |
| 5 | 17007030011 | CVT Air Inlet Pipe Holster | 2 | 0,049 |
| 6 | 17007040011 | CVT Air Outlet Pipe Holster | 1 | 0,094 |
| 7 | 17007040051 | CVT Air Outlet Pipe1 | 1 | 0,188 |
| 8 | 17007040001 | CVT Air Outlet Pipe 2 | 1 | 0,271 |
| 9 | 01254060166 | Hex Flange Bolt M6x16 | 6 | 0,271 |
| 10 | 10404070020 | Clamp,11mm-13.5mm | 1 | 0,003 |
| 11 | 17007040070 | CVT Outlet Pipe 3 Rubber Sleeve | 1 | 0,136 |
| 12 | 17014130010 | Heat Insulation Film | 1 | 0,014 |
| 13 | 04612060026 | Hex Flange Locking Nut M6 | 4 | 0,004 |
| 14 | 17307030270 | CVT Air Inlet Pipe Filter | 1 | 0,012 |
| 15 | 21170103601 | CVT Air Outlet Mounting Ear | 1 | 0,022 |
| 16 | 17007040060 | CVT Outlet Pipe 3 | 1 | 0,206 |
| 17 | 12304010090 | Clamp, $\phi 40-\phi 60$ | 1 | 0,010 |
| 18 | 17014130010 | Heat Insulation Film | 1 | 0,014 |
| 19 | 17014130010 | Heat Insulation Film | 1 | 0,014 |

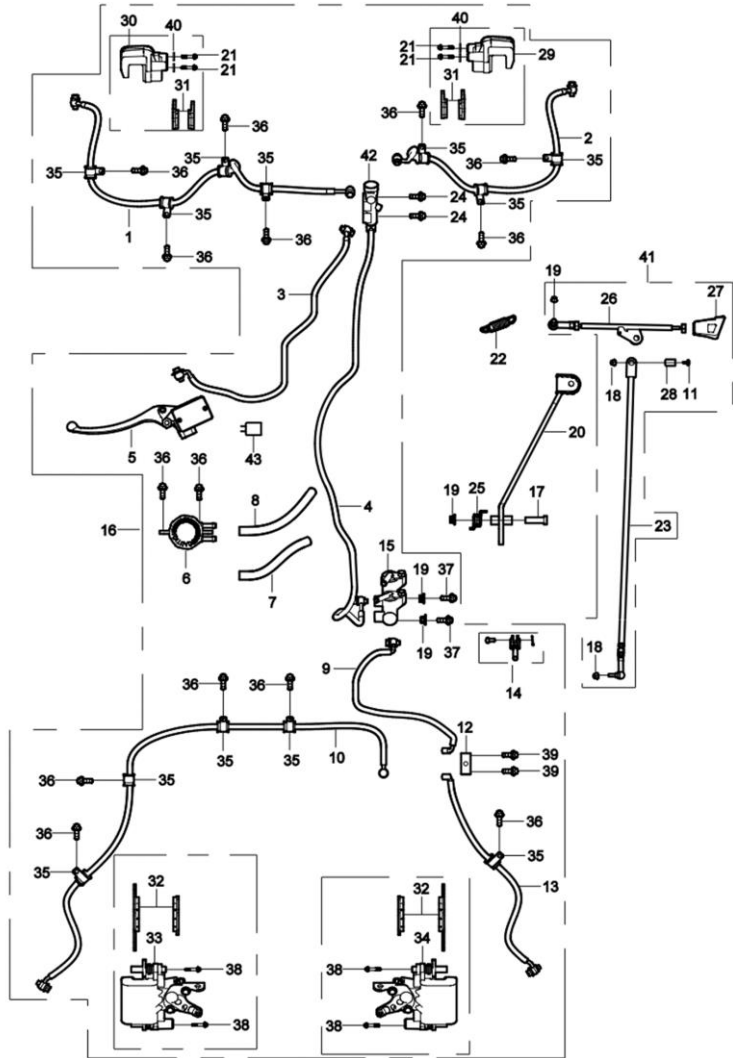
11.2 DIAGRAM 2024 AODES CVT INTAKE&EXHAUST SYSTEM F11-2


| ITEM # | CODE | ENGLISH NAME | QTY | WEIGHTS (kg) |
|--------|-------------|-----------------------------|-----|--------------|
| 1 | 17307030260 | CVT Air Inlet Boot | 1 | 0,198 |
| 2 | 17007030270 | Clamp φ60-φ80 | 9 | 0,022 |
| 3 | 17007030000 | CVT Intake Pipe | 1 | 0,335 |
| 4 | 17007050160 | Drain Stopper | 1 | 0,002 |
| 5 | 17007030011 | CVT Air Inlet Pipe Holster | 2 | 0,049 |
| 6 | 17007040011 | CVT Air Outlet Pipe Holster | 1 | 0,094 |
| 7 | 17007040051 | CVT Air Outlet Pipe1 | 1 | 0,188 |
| 8 | 17007040001 | CVT Air Outlet Pipe 2 | 1 | 0,271 |
| 9 | 01254060166 | Hex Flange Bolt M6×16 | 4 | 0,271 |
| 10 | 10404070020 | Clamp,11mm-13.5mm | 1 | 0,003 |
| 11 | 21170102201 | CVT Outlet Sealing Boot | 1 | 0,077 |
| 12 | 17014130010 | Heat Insulation Film | 1 | 0,014 |
| 13 | 04612060026 | Hex Flange Locking Nut M6 | 4 | 0,004 |
| 14 | 17307030270 | CVT Air Inlet Pipe Filter | 1 | 0,012 |
| 15 | 17014130010 | Heat Insulation Film | 1 | 0,014 |
| 16 | 17014130010 | Heat Insulation Film | 1 | 0,014 |

12. DIAGRAM 2024 AODES BRAKING SYSTEM F12



| ITEM # | CODE | ENGLISH NAME | QTY | WEIGHTS (kg) |
|--------|-------------|------------------------------------|-----|--------------|
| 1 | 17006010160 | Front Left Brake Hose | 1 | 0,13 |
| 2 | 17006010170 | Front Right Brake Hose | 1 | 0,87 |
| 3 | 17006010370 | Hand Brake Hose | 1 | 0,9 |
| 4 | 17006010380 | Footbrake Front Hose | 1 | 1,56 |
| 5 | 17006010360 | Hand Brake Pump | 1 | 0,45 |
| 6 | 17006010590 | Brake Oil Cup (T3 Version) | 1 | 0,12 |
| 6 | 13606010440 | Brake Oil Cup | 1 | 0,12 |
| 7 | 17006010420 | Footbrake Pump Rear Oil Pipe Line | 1 | 0,03 |
| 8 | 17006010410 | Footbrake Pump Front Oil Pipe Line | 1 | 0,03 |
| 9 | 17006010390 | Footbrake Rear Hose | 1 | 0,35 |
| 10 | 17006010260 | Rear Left Brake Hose | 1 | 1,4 |
| 11 | 01254060256 | Hex Flange Bolt M6x25 | 1 | 0,01 |
| 12 | 17006010460 | Rear Tee-Junction | 1 | 0,08 |
| 13 | 17006010250 | Rear Right Brake Hose | 1 | 0,56 |
| 14 | 15106010470 | Brake Rod Of Master Cyliner | 1 | 0,03 |
| 15 | 17006010270 | Brake Pump | 1 | 0,4 |
| 16 | 17006010540 | Brake Assy (Atv Long Model Only) | 1 | 8,927 |
| 17 | 01824081506 | Hex Flange Step Bolt M8 | 1 | 0,05 |
| 18 | 04612060025 | Hexagon Flange Locking Nut M6 | 1 | 0,004 |
| 19 | 04612080026 | Hex Flange Locking Nut M8 | 4 | 0,009 |
| 20 | 17006030000 | Foot Brake Pedal | 1 | 0,615 |

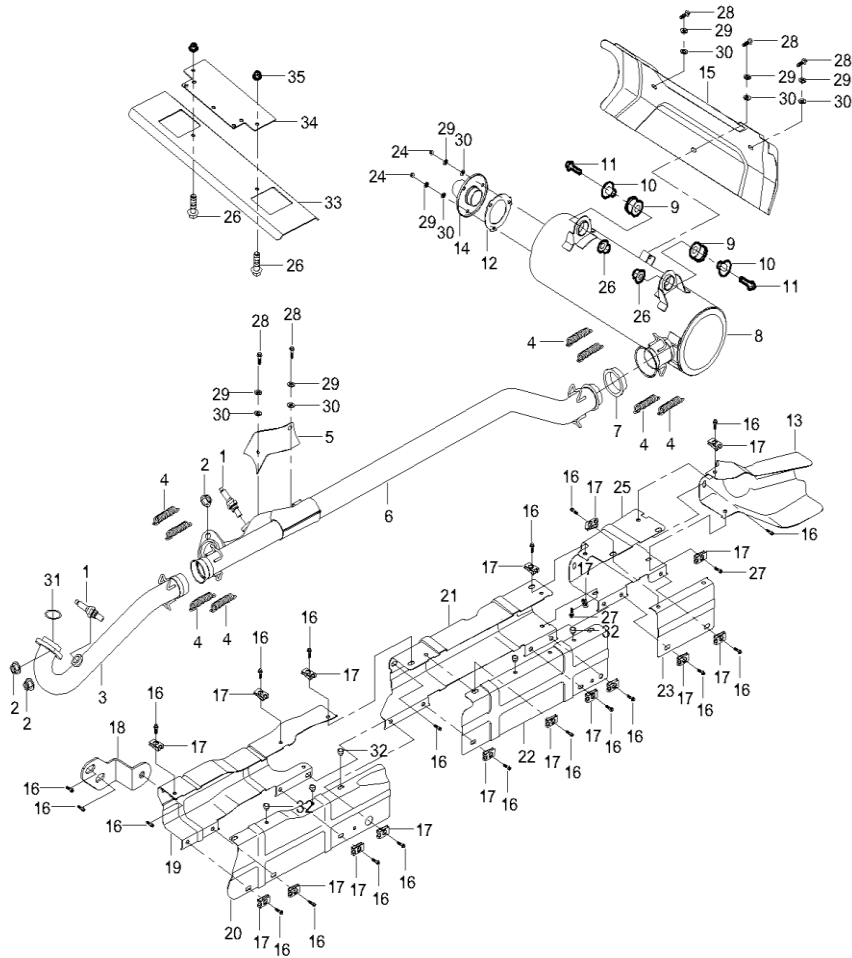


| | | | | |
|----|-------------|---|----|-------|
| 21 | 01256100256 | Hex Flange Bolt M10X25X1.25 | 4 | 0,026 |
| 22 | 13611050020 | Gear Shifting Spring | 1 | 0,022 |
| 23 | 17011120020 | Shifting Lever(Atv1000Only) | 1 | 0,378 |
| 24 | 01224060305 | Hex Flange Bolt M6x30 | 2 | 0,01 |
| 25 | 16106030021 | Brake Pedal Return Spring | 1 | 0,015 |
| 26 | 17011060000 | Shifting Hand Lever (Atv1000 Only) | 1 | 0,188 |
| 27 | 17011050000 | Shifting Ball | 1 | 0,11 |
| 28 | 17011060130 | Shifting | 1 | 0,005 |
| 29 | 17006010050 | Front Brake Calliper,Passenger Side | 1 | 1,17 |
| 30 | 17006010040 | Front Calliper,Driver Side | 1 | 1,17 |
| 31 | 17006010060 | Front Brake Pad | 2 | 1,17 |
| 32 | 17006010080 | Rear Brake Pads | 2 | 1,17 |
| 33 | 17006010150 | Rear Brake Caliper , Passenger Side | 1 | 1,6 |
| 34 | 17006010140 | Rear Brake Caliper, Driver Side | 1 | 1,6 |
| 35 | 17006010090 | Clamp (For Brake Oil Pipe) | 12 | 0,01 |
| 36 | 01224060125 | Hex Flange Bolt M6X12 | 16 | 0,007 |
| 37 | 01224080306 | Hex Flange Bolt M8x30 | 1 | 0,044 |
| 38 | 01225100206 | Hex Flange Bolt M10X20X1.5 | 4 | 0,026 |
| 39 | 03344060205 | Countersunk Allen Screw M6X20 | 4 | 0,009 |
| 40 | 06119102005 | Flat Washer $\phi 10.5 \times \phi 20 \times 2$ | 4 | 0,004 |
| 41 | 17011120001 | Shift Assembly (1000) | 1 | 0,65 |
| 42 | 17006010450 | Proportional Valve | 1 | 0,14 |



| | | | | | |
|--|----|-------------|---|---|-------|
| | 43 | 14506010720 | Parking Brake Lever, Parking Brake Switch | 1 | 0,005 |
|--|----|-------------|---|---|-------|

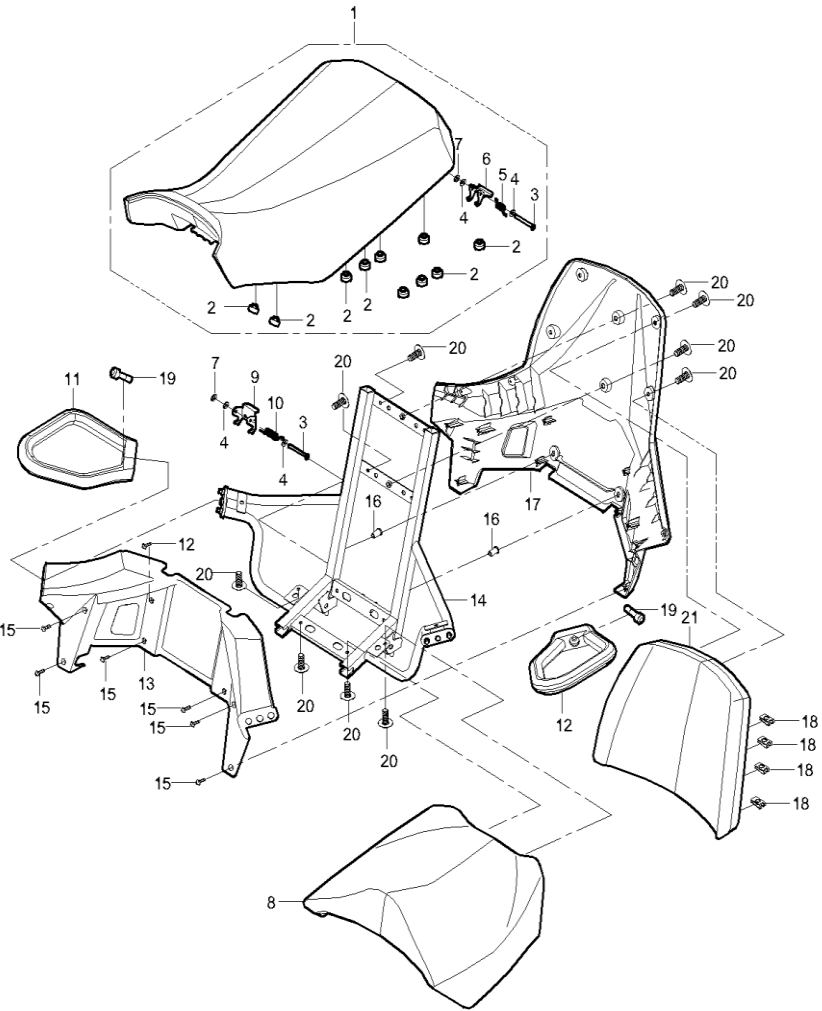
13. DIAGRAM 2024 AODES EXHAUST SYSTEM F13



| ITEM # | CODE | ENGLISH NAME | QTY | WEIGHTS (kg) |
|--------|-------------|---|-----|--------------|
| 1 | 21040400702 | O2 Sensor | 2 | 0,087 |
| 2 | 04522080026 | Hex Flange Locking Nut M8 | 4 | 0,009 |
| 3 | 17007010060 | Front Cylinder Exhaust Pipe(Atv1000 Only) | 1 | 0,83 |
| 4 | 17007010340 | Exhaust Pipe Tension Spring | 8 | 0,022 |
| 5 | 17007010290 | Rear Exhaust Pipe Heat Insulation Board(Atv1000) | 1 | 0,072 |
| 6 | 17007010070 | Rear Cylinder Exhaust Pipe (Atv 1000 Long Model Only) | 1 | 2,5 |
| 7 | 17007010170 | Graphite Seal Cartridge(Small) | 1 | 0,019 |
| 8 | 17007010020 | Muffler(1000Cc) | 1 | 6,97 |
| 8 | 17007090020 | Muffler (With Catalyst) | 1 | 7,02 |
| 9 | 13607010140 | Muffler Hang Rubber Sleeve | 2 | 0,015 |
| 10 | 13607010190 | Muffler Hang Neck Bushing | 2 | 0,022 |
| 11 | 01224080356 | Hex Flange Bolt M8x35 | 2 | 0,021 |
| 12 | 17007100820 | Graphite Washer | 1 | 0,01 |
| 13 | 17007010310 | Muffler Insulation Board(Front) | 1 | 0,431 |
| 14 | 17007010770 | Tail Exhaust Combination | 1 | 0,28 |
| 15 | 17007010320 | Muffler Body Protective Board | 1 | 0,802 |
| 16 | 01254060166 | Hex Flange Bolt M6x16 | 28 | 0,007 |
| 17 | 17007010780 | Clip M6 | 21 | 0,005 |
| 18 | 17007010760 | Exhaust Pipe Heat Insulation Board Front Mounting Ear | 1 | 0,05 |
| 19 | 17007010380 | Front Cylinder Exhaust Pipe Heat Insulation Board (Inner) | 1 | 0,6 |
| 20 | 17007010370 | Front Cylinder Exhaust Pipe Heat Insulation Board (Inner) | 1 | 0,482 |

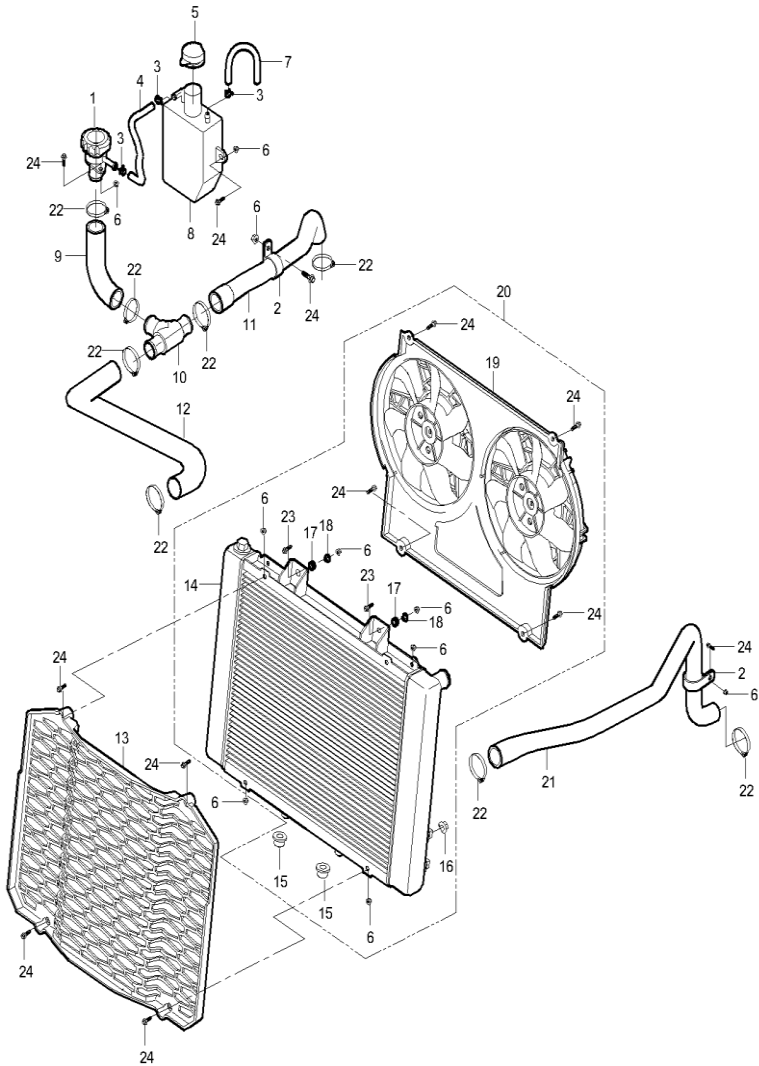
| | | | | | |
|--|----|-------------|---|----|--------|
| | 21 | 17007010400 | Rear Cylinder Exhaust Pipe Heat Insulation Plate(Rear) | 1 | 0,71 |
| | 22 | 17007010390 | Rear Cylinder Exhaust Pipe Heat Insulation Plate(Front) | 1 | 0,44 |
| | 23 | 17007010410 | Middle Exhaust Pipe Heat Insulation Board (Outer) | 1 | 0,14 |
| | 24 | 04312060023 | Cap Nut M6 | 3 | 0,007 |
| | 25 | 17007010420 | Middle Exhaust Pipe Heat Insulation Board (Inner) | 1 | 0,38 |
| | 26 | 04522080026 | Hex Flange Locking Nut M8 | 2 | 0,38 |
| | 27 | 01254060126 | Hex Flange Bolt M6x12 | 2 | 0,009 |
| | 28 | 01244060163 | Hex Flange Bolt M6X16 | 8 | 0,006 |
| | 29 | 06619061003 | Spring Washer φ6 | 9 | 0,007 |
| | 30 | 06119061203 | Washer φ6Xφ12X1 | 9 | 0,002 |
| | 31 | 21040400101 | Exhaust Gasket | 2 | 0,01 |
| | 32 | 17007010790 | Heat Insulation Cushion | 11 | 0,0004 |
| | 33 | 17010630180 | Storage Box Bottom Insulation Board | 1 | 0,8 |
| | 34 | 17010630190 | Storage Box Bottom Insulation Board (Upper) | 1 | 0,48 |
| | 35 | 04612060026 | Hex Flange Locking Nut M6 | 2 | 0,004 |

14. DIAGRAM 2024 AODES SEATS F14



| ITEM # | CODE | ENGLISH NAME | QTY | WEIGHTS (kg) |
|--------|-------------|--|-----|--------------|
| 1 | 17014020110 | Sear Saddle (Without Alarm) | 1 | 2,4 |
| 2 | 17014020250 | Front Seat Rubber Washer | 10 | 0,004 |
| 3 | 17014020270 | Seat Base Shaft Pin | 2 | 0,013 |
| 4 | 06119061805 | Washer 6.5x18x1 | 4 | 0,002 |
| 5 | 17014020280 | Front Seat Spring | 1 | 0,006 |
| 6 | 17014020290 | Front Seat Latch | 1 | 0,026 |
| 7 | 07031050501 | E Type Snap Ring | 2 | 0,0002 |
| 8 | 17014020070 | Rear Seat | 1 | 1,448 |
| 9 | 17014020160 | Rear Seat Hook Limitation Board | 1 | 0,045 |
| 10 | 17014020260 | Rear Seat Sprng | 1 | 0,008 |
| 11 | 17008080020 | Rear Right Hand Rail | 1 | 0,609 |
| 12 | 17008070020 | Rear Left Hand Rail | 1 | 0,609 |
| 13 | 17014020220 | Rear Rest Front Cover | 1 | 0,6 |
| 14 | 17008090000 | Rear Seat Mounting Bracket | 1 | 4,158 |
| 15 | 03714420165 | Tapping Screws St4.2x16 | 14 | 0,002 |
| 16 | 04512060027 | Rivet Nut M6 | 2 | 0,007 |
| 17 | 17014020230 | Rear Rest Rear Cover | 1 | 0,991 |
| 18 | 04922060025 | Plate Nut (Long) M6 | 8 | 0,002 |
| 19 | 01224080256 | Hex Flange Bolt M8x25 | 2 | 0,012 |
| 20 | 03414060164 | Inner Hexalobular Socket Pan Head Screws M6X16 | 14 | 0,007 |
| 21 | 17014020140 | Rear Seat Back | 1 | 0,927 |

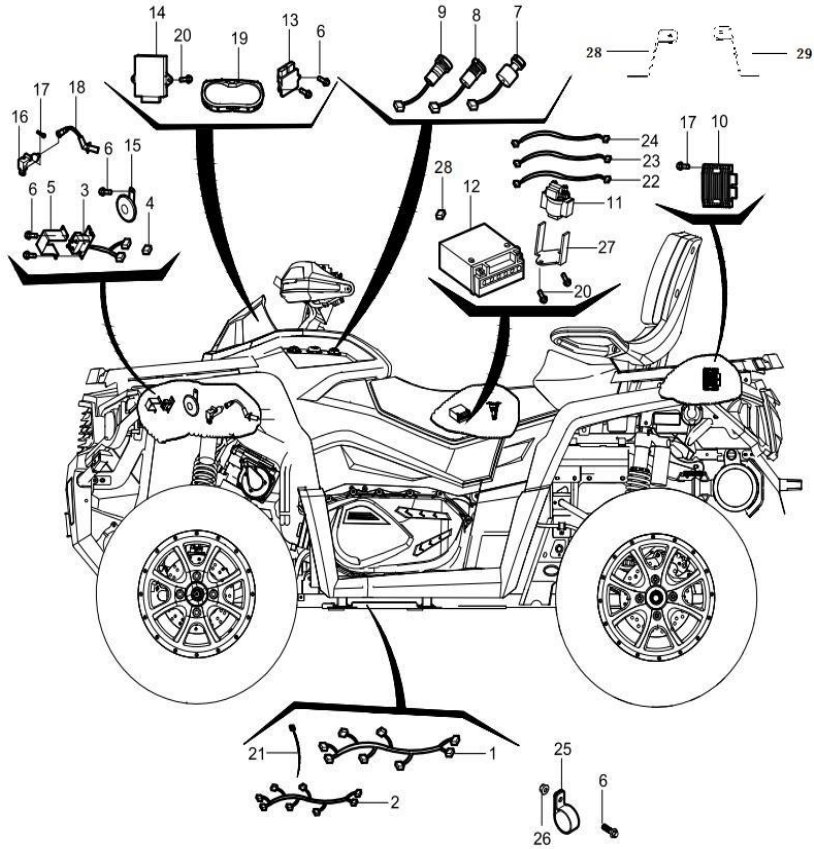
15. DIAGRAM 2024 AODES COOLING SYSTEM F15



| ITEM # | CODE | ENGLISH NAME | QTY | WEIGHTS (kg) |
|--------|-------------|---|-----|--------------|
| 1 | 21040400913 | Radiator Cap | 1 | 0,072 |
| 2 | 10109380030 | Wire Harness Mounting Clamp 3 | 2 | 0,017 |
| 3 | 11904070030 | Spring Hose Clip $\phi 8$ | 3 | 0,017 |
| 4 | 17012050080 | Auxiliary Water Tank Breath Pipe $\phi 7-\phi 9$ L=86 | 1 | 0,001 |
| 5 | 17012040030 | Auxiliary Water Tank Cover | 1 | 0,01 |
| 6 | 04612060025 | Hexagon Flange Locking Nut M6 | 12 | 0,004 |
| 7 | 17012050080 | Auxiliary Water Tank Breath Pipe $\phi 7-\phi 9$ L=86 | 1 | 0,013 |
| 8 | 13612040000 | Auxiliary Water Tank | 1 | 0,153 |
| 9 | 17012050050 | Water Filling Tube | 1 | 0,077 |
| 10 | 17012050120 | T-Junction | 1 | 0,044 |
| 11 | 17012050010 | Water Outlet Pipe I | 1 | 0,143 |
| 12 | 17012050000 | Water Outlet Pipe II | 1 | 0,235 |
| 13 | 17012020000 | Radiator Protective Cover | 1 | 0,206 |
| 14 | 21170101501 | Radiator With Dual Fans | 1 | 5 |
| 15 | 13612030030 | Fixing Rubber Sleeve | 2 | 0,002 |
| 16 | 21040402202 | Temperature Sensor Oil Cooler,82°C | 1 | 0,05 |
| 17 | 17012030080 | Radiator Upper Mounting Rubber Sleeve | 2 | 0,002 |
| 18 | 17012030090 | Radiator Upper Mounting Inner Sleeve | 2 | 0,007 |
| 19 | 21040400933 | Fan | 1 | 3 |
| 20 | 21170101502 | Double Fan Radiator | 1 | 5,2 |
| 21 | 17012050020 | Water Inlet Pipe | 1 | 0,316 |

| | | | | | |
|--|----|-------------|----------------------------|----|-------|
| | 22 | 17012070000 | Clamp ϕ 20- ϕ 32 | 8 | 0,016 |
| | 23 | 01224060251 | Hex Flange Bolt M6X25 | 2 | 0,01 |
| | 24 | 01254060166 | Hex Flange Bolt M6x16 | 10 | 0,007 |

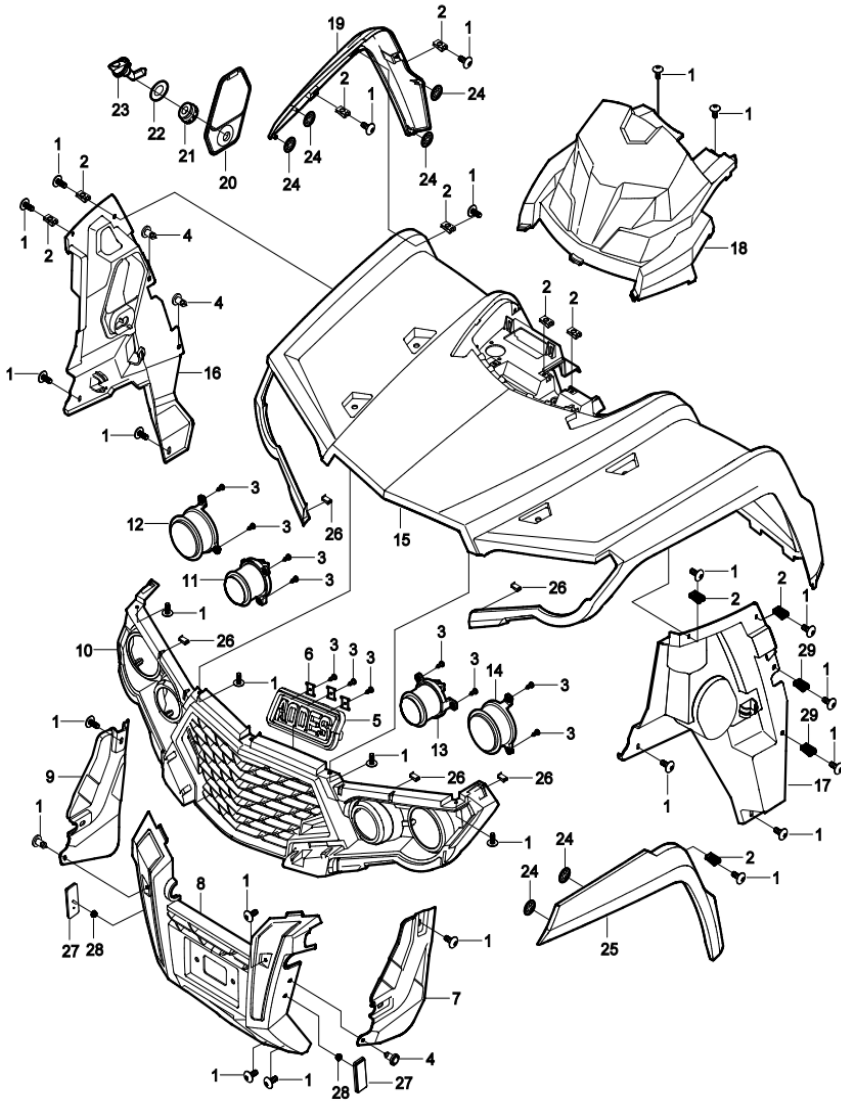
16. DIAGRAM 2024 AODES ELECTRICAL PARTS F16



| ITEM # | CODE | ENGLISH NAME | QTY | WEIGHTS (kg) |
|--------|-------------|---|-----|--------------|
| 1 | 17309020040 | Wire Harness | 1 | 2,038 |
| 2 | 17309410000 | Engine Wire Harness | 1 | 0,533 |
| 3 | 17014150341 | Winch Relay And Wire Assy | 1 | 1,002 |
| 4 | 17009520000 | Winch Protector | 1 | 0,008 |
| 5 | 10914150010 | Winch Controller Box Cap | 1 | 0,026 |
| 6 | 01254060166 | Hex Flange Bolt M6x16 | 11 | 0,007 |
| 7 | 17009040000 | Ignition Switch (Without The Steering Wheel Switch) | 1 | 0,010 |
| 8 | 14709300010 | Usb Socket | 1 | 0,061 |
| 9 | 13609300000 | Power Socket | 1 | 0,09 |
| 10 | 21170103504 | Voltage Regulator (Regular) | 1 | 0,492 |
| 11 | 17009350000 | Starter Relay | 1 | 0,198 |
| 12 | 17009090000 | Battery | 1 | 6,264 |
| 13 | 21051100103 | ECU (Delphi) | 1 | 0,124 |
| 14 | 17009370011 | Gear Controller | 1 | 0,235 |
| 15 | 16109100000 | Horn(Usa 1000Cc/800Cc/600Cc) | 1 | 0,239 |
| 15 | 17309100000 | Horn,E9-006692 | 1 | 0,239 |
| 16 | 21040400201 | Ignition Coil | 2 | 0,132 |
| 17 | 01214060356 | Hex Flange Bolt M6x35 | 1 | 0,012 |
| 18 | 21170102402 | Spark Plug Cable L=150mm | 2 | 0,036 |
| 19 | 17009160192 | Display | 1 | 0,502 |
| 20 | 03414060164 | Inner Hexalobular Socket Pan Head Screws M6X16 | 2 | 0,007 |

| | | | | | |
|--|----|-------------|---|----|-------|
| | 21 | 90103040030 | Nylon Cable Ties W8X250mm | 20 | 0,002 |
| | 22 | 17009010090 | Battery Cathode | 1 | 0,1 |
| | 23 | 17009010100 | Earth Wire | 1 | 0,14 |
| | 24 | 17309010180 | Starter Relay Connection Cable | 1 | 0,011 |
| | 25 | 10109380010 | Wire Harness Mounting Clamp 1 ϕ 14 | 1 | 0,017 |
| | 26 | 04612060026 | Hex Flange Locking Nut M6 | 1 | 0,004 |
| | 27 | 17009010310 | Starter Relay Bracket | 1 | 0,058 |
| | 28 | 17309010160 | Fuse Box Bracket,Driver Side | 1 | 0.05 |
| | 29 | 17309010170 | Fuse Box Bracket,Passenger Side | 1 | 0.05 |

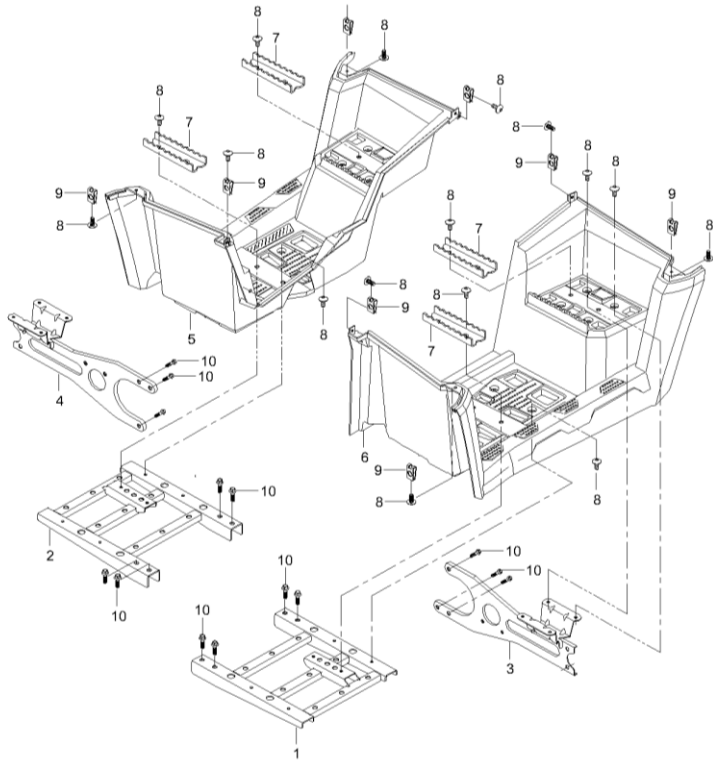
17. DIAGRAM 2024 AODES FRONT PLASTIC F17



| ITEM # | CODE | ENGLISH NAME | QTY | WEIGHTS (kg) |
|--------|-------------|--|-----|--------------|
| 1 | 03414060164 | Inner Hexalobular Socket Pan Head Screws M6X16 | 29 | 0,006 |
| 2 | 04922060025 | Plate Nut (Long) M6 | 21 | 0,002 |
| 3 | 03714420165 | Tapping Screws St4.2x16 | 15 | 0,002 |
| 4 | 10410190000 | Push Pin M8X15 | 7 | 0,002 |
| 5 | 17313040680 | Logo(Odes) | 1 | 0,03 |
| 5 | 17313040690 | Logo(Odes) Base | 1 | 0,026 |
| 6 | 17010030030 | Odes Logo Mounting Board | 3 | 0,002 |
| 7 | 17010330010 | Left Wind Guiding Board | 1 | 0,134 |
| 8 | 17010720000 | Winch Protective Cover | 1 | 0,72 |
| 9 | 17010330020 | Right Wind Guiding Board | 1 | 0,134 |
| 10 | 17010160000 | Front Panel | 1 | 1,01 |
| 11 | 17009060020 | Led Headlight,High Beam,Passenger Side | 1 | 0,397 |
| 12 | 17009060040 | Led Headlight,Low Beam,Passenger Side | 1 | 0,327 |
| 13 | 17009060010 | Led Headlight,High Beam,Driver Side | 1 | 0,397 |
| 14 | 17009060030 | Led Headlight,Low Beam,Driver Side | 1 | 0,327 |
| 15 | 17010201530 | Front Plastic (Black) | 1 | 3,32 |
| 15 | 17010203140 | Front Plastic(Titanium Gray) | 1 | 3,32 |
| 15 | 17010202790 | Front Plastic (Tiue Timber) | 1 | 3,32 |
| 15 | 17010202770 | Front Plastic (Red With Flake) | 1 | 3,32 |
| 15 | 17010203180 | Front Plastic (Metallic Blue) | 1 | 3,32 |
| 16 | 17010330040 | Right Fender | 1 | 0,534 |

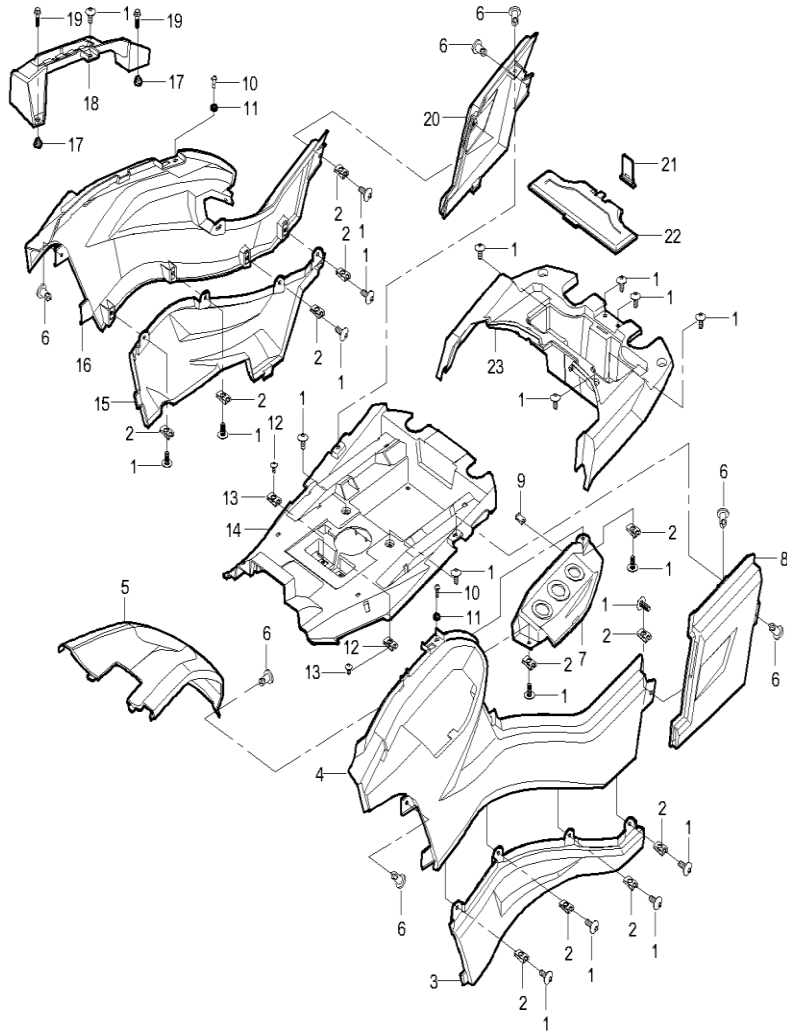
| | | | | | |
|--|----|-------------|--|----|-------|
| | 17 | 17010330030 | Left Fender | 1 | 0,51 |
| | 18 | 17009160210 | Dash Cover | 1 | 0,577 |
| | 19 | 17010680000 | Front Fender, Passenger Side | 1 | 0,183 |
| | 20 | 17010690000 | Decoration Cover Board | 1 | 0,06 |
| | 21 | 16108150080 | Hood Rubber Washer | 1 | 0,005 |
| | 22 | 06219162205 | Washer $\phi 16 \times \phi 22 \times 2$ | 1 | 0,002 |
| | 23 | 16110260130 | Rotation Switch | 1 | 0,015 |
| | 24 | 17014110300 | Flower Clip $\phi 5$ | 8 | 0,001 |
| | 25 | 17010670000 | Front Fender, Driver Side | 1 | 0,183 |
| | 26 | 16110750001 | Buckle | 10 | 0,002 |
| | 27 | 13609180090 | Reflector ,Yellow | 2 | 0,004 |
| | 28 | 04412050025 | Hex Flange Nut M5 | 2 | 0,004 |
| | 29 | 17007010780 | Clip M6 | 2 | 0,005 |

18. DIAGRAM 2024 AODES FOOT PEDAL F18



| ITEM # | CODE | ENGLISH NAME | QTY | WEIGHTS (kg) |
|--------|-------------|--|-----|--------------|
| 1 | 17008160000 | Foot Plate Bracket, Driver Side | 1 | 2,22 |
| 2 | 17008170000 | Foot Plate Bracket, Passenger Side | 1 | 2,22 |
| 3 | 17008160050 | Foot Plate Rear Left Mounting Bracket | 1 | 1 |
| 4 | 17008160060 | Foot Plate Rear Right Mounting Bracket | 1 | 1 |
| 5 | 17010080020 | Foot Plate (Long Model),Passenger Side | 1 | 1,995 |
| 6 | 17010080010 | Foot Plate(Long Model),Driver Side | 1 | 1,995 |
| 7 | 17000942000 | Foot Plate | 4 | 0,21 |
| 8 | 03414060164 | Inner Hexalobular Socket Pan Head Screws M6X16 | 32 | 0,007 |
| 9 | 04922060025 | Plate Nut (Long) M6 | 8 | 0,002 |
| 10 | 01256100206 | Hex Flange Bolt M10x20x1.25 | 14 | 0,022 |
| | | | | |
| | | | | |
| | | | | |
| | | | | |
| | | | | |

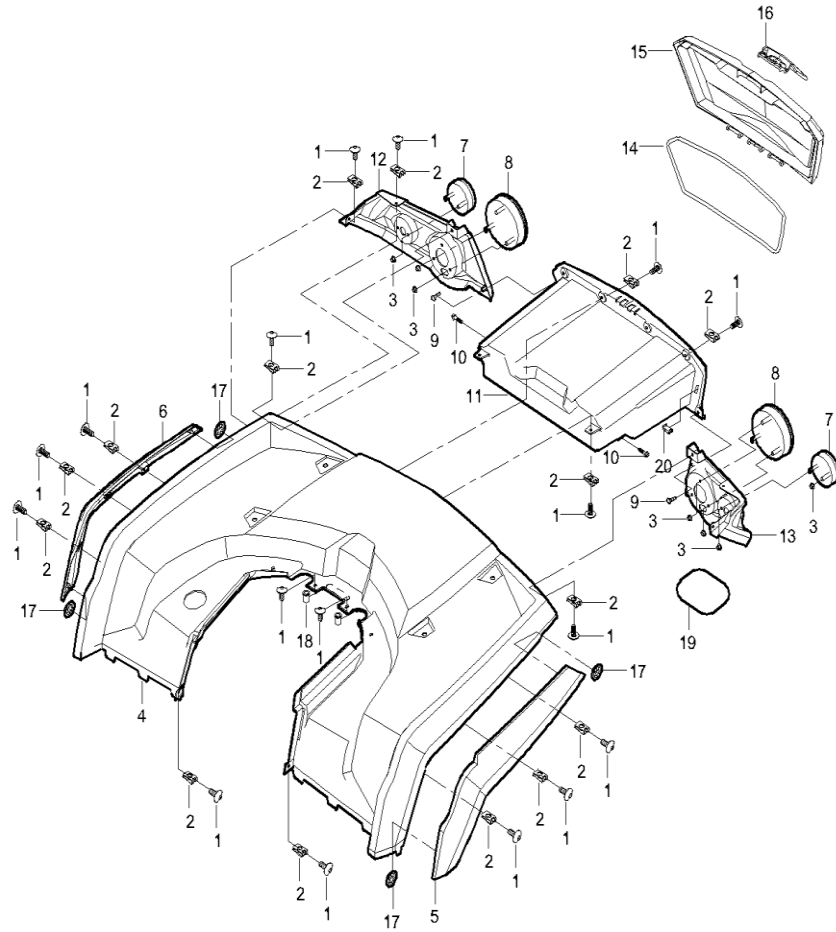
19. DIAGRAM 2024 AODES SIDEBORD COMBINATION F19



| ITEM # | CODE | ENGLISH NAME | QTY | WEIGHTS (kg) |
|--------|-------------|---|-----|--------------|
| 1 | 03414060124 | Inner Hexagonalobular Socket Pan Head Screw M6x12 (Black) | 24 | 0,006 |
| 2 | 04922060025 | Plate Nut (Long) M6 | 12 | 0,002 |
| 3 | 17010202810 | Left Side Board(2) | 1 | 0,209 |
| 4 | 17010202870 | Left Side Board 1(True Timber) | 1 | 0,738 |
| 4 | 17010203060 | Left Side Board 1(Black) | 1 | 0,738 |
| 4 | 17010203160 | Left Side Board 1(Titanium Gray) | 1 | 0,738 |
| 4 | 17010203080 | Left Side Board 1(Red With Flake) | 1 | 0,738 |
| 4 | 17010203200 | Driver Side Side Panel (1) (Metallic Blue) | 1 | 0,738 |
| 5 | 17009160220 | Dash Display Base | 1 | 0,592 |
| 6 | 10410190000 | Push Pin M8X15 | 12 | 0,002 |
| 7 | 17009010260 | Electircal Mounting Board | 1 | 0,01 |
| 8 | 17010202370 | Left Side Board(3) | 1 | 0,152 |
| 9 | 16110750001 | Buckle | 2 | 0,002 |
| 10 | 03714420165 | Tapping Screws St4.2x16 | 2 | 0,002 |
| 11 | 06119040905 | Washer $\phi 4 \times \phi 9 \times 1$ | 2 | 0,001 |
| 12 | 04922050024 | Plate Nut M5 | 2 | 0,002 |
| 13 | 01224050125 | Hex Flange Bolt M5X12 | 2 | 0,005 |
| 14 | 17009090130 | Seat Saddle Lower Guard Board | 1 | 0,764 |
| 15 | 17010202820 | Right Side Board(2) | 1 | 0,32 |
| 16 | 17010202880 | Right Side Board 1(True Timber) | 1 | 0,738 |
| 16 | 17010203070 | Right Side Board 1(Black) | 1 | 0,738 |

| | | | | | |
|--|----|-------------|---|---|-------|
| | 16 | 17010203170 | Right Side Board 1(Titanium Gray) | 1 | 0,738 |
| | 16 | 17010203090 | Right Side Board 1(Red With Flake) | 1 | 0,738 |
| | 16 | 17010203210 | Passenger Side Side Panel (1) (Metallic Blue) | 1 | 0,738 |
| | 17 | 04522080026 | Hex Flange Locking Nut M8 | 2 | 0,01 |
| | 18 | 17010360000 | Hand Shifting Board(Atv1000 Only) | 1 | 0,184 |
| | 19 | 01224080306 | Hex Flange Bolt M8x30 | 2 | 0,019 |
| | 20 | 17010202410 | Right Side Board(3) | 1 | 0,152 |
| | 21 | 13610630071 | Storage Box Rubber Strip | 1 | 0,006 |
| | 22 | 17010280140 | Seat Guard Board Top Cover | 1 | 0,074 |
| | 23 | 17010280000 | Seat Guard Board | 1 | 0,532 |

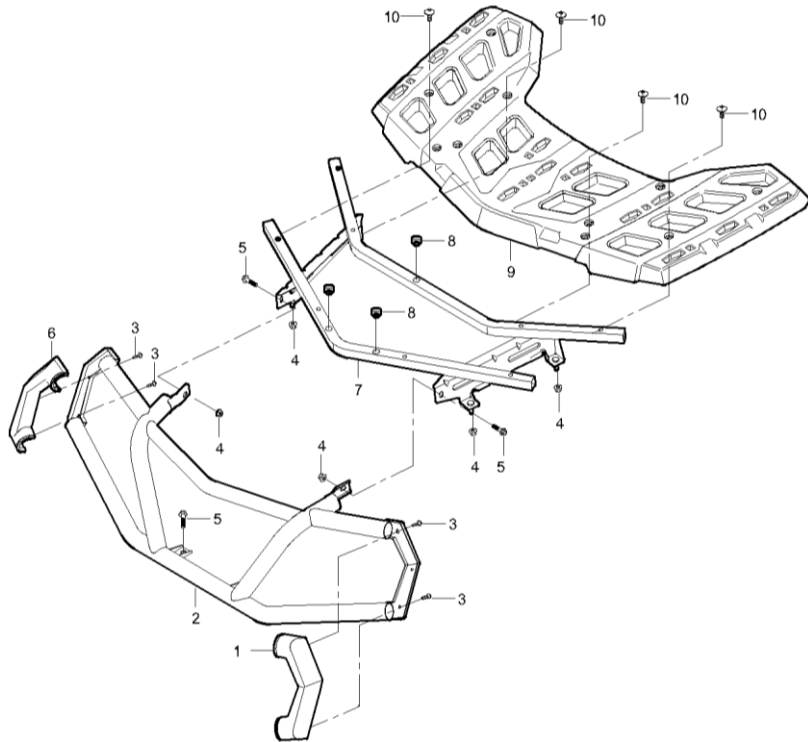
20. DIAGRAM 2024 AODES REAR PLASTIC F20



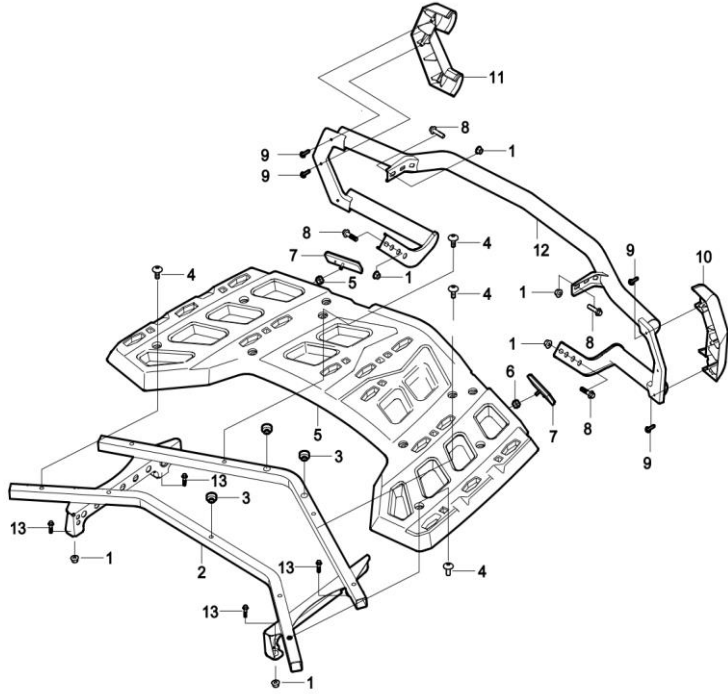
| ITEM # | CODE | ENGLISH NAME | QTY | WEIGHTS (kg) |
|--------|-------------|---|-----|--------------|
| 1 | 03414060124 | Inner Hexagonalobular Socket Pan Head Screw M6x12 (Black) | 20 | 0,006 |
| 2 | 04922060025 | Plate Nut (Long) M6 | 20 | 0,003 |
| 3 | 04112060025 | Hex Nut M6 | 10 | 0,004 |
| 4 | 17010203150 | Rear Plastic(Titanium Gray) | 1 | 3,373 |
| 4 | 17010200900 | Rear Plastic (Black) | 1 | 3,373 |
| 4 | 17010202860 | Rear Plastic (True Timber) | 1 | 3,373 |
| 4 | 17010202800 | Rear Plastic (Red With Flake) | 1 | 3,373 |
| 4 | 17010203190 | Rear Plastic (Metallic Blue) | 1 | 3,373 |
| 5 | 17010100000 | Rear Fender, Driver Side | 1 | 0,186 |
| 6 | 17010110000 | Rear Fender, Passenger Side | 1 | 0,186 |
| 7 | 17009400002 | Rear Steering Light | 2 | 0,06 |
| 8 | 17009070120 | Taillight | 2 | 0,21 |
| 8 | 17309070120 | Taillight | 2 | 0,21 |
| 9 | 03714420165 | Tapping Screws St4.2x16 | 2 | 0,013 |
| 10 | 01254060166 | Hex Flange Bolt M6x16 | 2 | 0,007 |
| 11 | 17010630010 | Storage Box | 1 | 1,435 |
| 12 | 17009070100 | Tail Light Cover,Passenger Side | 1 | 0,28 |
| 13 | 17009070090 | Tail Light Cover,Driver Side | 1 | 0,28 |
| 14 | 17010630030 | Storage Box Sealing Strip | 1 | 0,26 |
| 15 | 17010630020 | Storage Box Cover | 1 | 0,45 |
| 16 | 17010630170 | Storage Box Handle Bar | 1 | 0,061 |

| | | | | | |
|--|----|-------------|----------------------|---|-------|
| | 17 | 17014110300 | Flower Clip ϕ 5 | 4 | 0,002 |
| | 18 | 04512060027 | Rivet Nut M6 | 2 | 0,007 |
| | 19 | 17014130010 | Heat Insulation Film | 1 | 0,059 |
| | 20 | 16110750001 | Buckle | 2 | 0,002 |

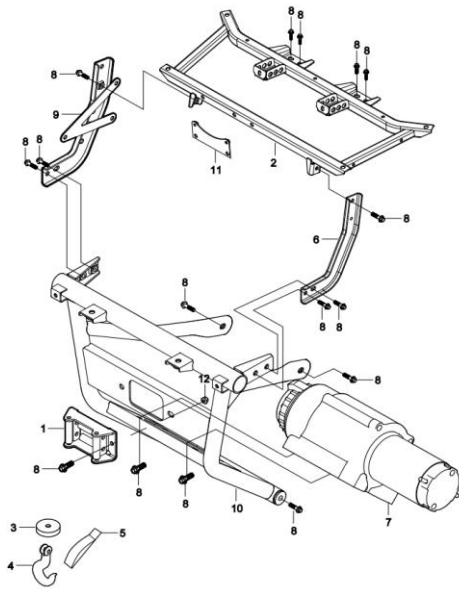
21. DIAGRAM 2024 AODES FRONT RACKS&FRONT BUMPER F21



| ITEM # | CODE | ENGLISH NAME | QTY | WEIGHTS (kg) |
|--------|-------------|--|-----|--------------|
| 1 | 17010202980 | Front Bumper Decoration Cover, Driver Side | 1 | 0,081 |
| 2 | 17008110000 | Front Bumper | 1 | 5,1 |
| 2 | 17008110150 | Front Bumper | 1 | 5,1 |
| 2 | 17008110140 | Front Bumper (Red With Flake) | 1 | 4,8 |
| 3 | 03714350125 | Tapping Screws St3.5X12 | 6 | 0,005 |
| 4 | 04612080026 | Hex Flange Locking Nut M8 | 6 | 0,009 |
| 5 | 01224080206 | Hex Flange Bolt M8x20 | 4 | 0,015 |
| 6 | 17010202990 | Front Bumper Decoration Cover, Passenger Side | 1 | 0,081 |
| 7 | 17008120000 | Front Cargo Rack Assembly | 1 | 3,420 |
| 8 | 10114090120 | Seat Bottom Rubber Rubber, Outside | 3 | 0,005 |
| 9 | 17010730000 | Front Storage Cover Board | 1 | 1,78 |
| 10 | 03414060164 | Inner Hexalobular Socket Pan Head Screws M6X16 | 8 | 0,007 |
| | | | | |
| | | | | |
| | | | | |
| | | | | |

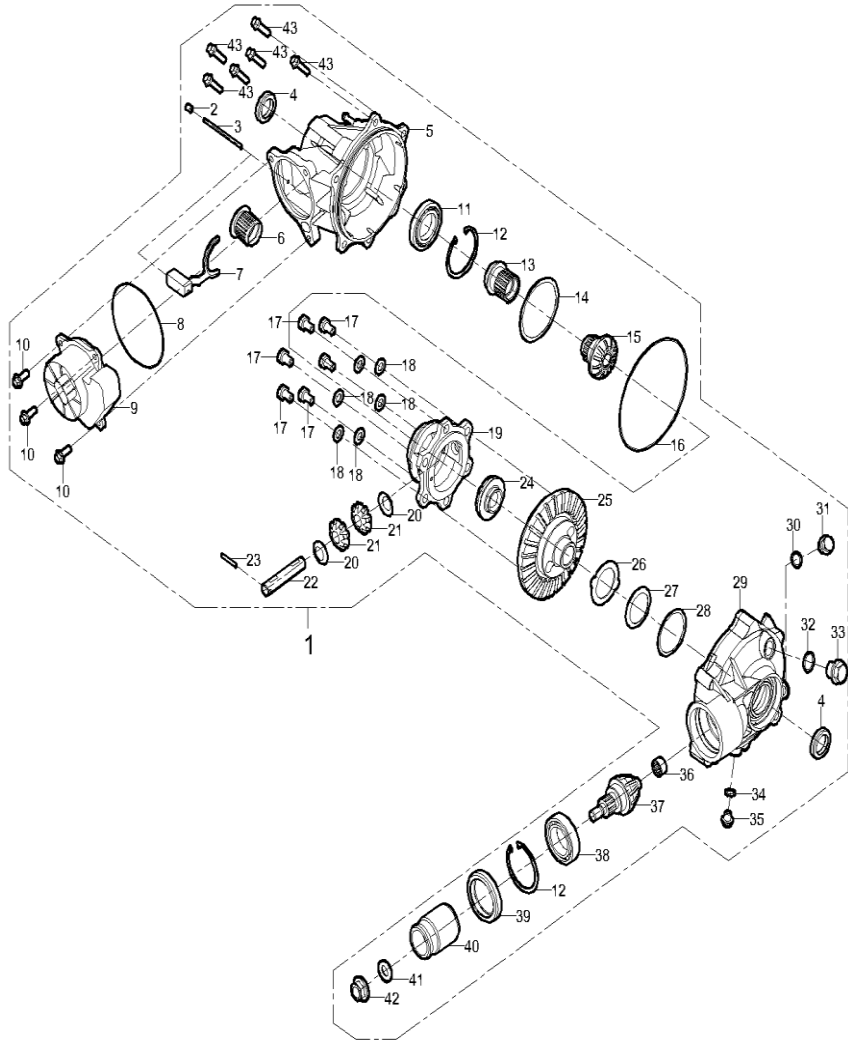
22. DIAGRAM 2024 AODES REAR RACKS&REAR BUMPER(EUROPE) F22


| ITEM # | CODE | ENGLISH NAME | QTY | WEIGHTS (kg) |
|--------|-------------|--|-----|--------------|
| 1 | 04612080026 | Hex Flange Locking Nut M8 | 4 | 0,009 |
| 2 | 17008130000 | Rear Cargo Rack Assambly | 1 | 3,41 |
| 3 | 10114090120 | Seat Bottom Rubber Rubber, Outside | 3 | 0,005 |
| 4 | 03414060164 | Inner Hexalobular Socket Pan Head Screws M6X16 | 8 | 0,007 |
| 5 | 17010730000 | Front Storage Cover Board | 1 | 1,78 |
| 6 | 04112050025 | Hex Flange Nut M5 | 2 | 0,003 |
| 7 | 13609180080 | Retroreflector (Red Rectangle) | 2 | 0,023 |
| 8 | 01224080206 | Hex Flange Bolt M8x20 | 4 | 0,018 |
| 9 | 03714350125 | Tapping Screws St3.5X12 | 4 | 0,02 |
| 10 | 17010203000 | Rear Bumper Decoration Cover , Driver Side | 1 | 0,083 |
| 11 | 17010203010 | Rear Bumper Decoration Cover , Passenger Side | 1 | 0,083 |
| 12 | 17008350080 | Rear Bumper | 1 | 3,12 |
| 12 | 17008350100 | Rear Bumper (Yellow) | 1 | 3,12 |
| 13 | 01224080256 | Hex Flange Bolt M8x25 | 2 | 0,012 |

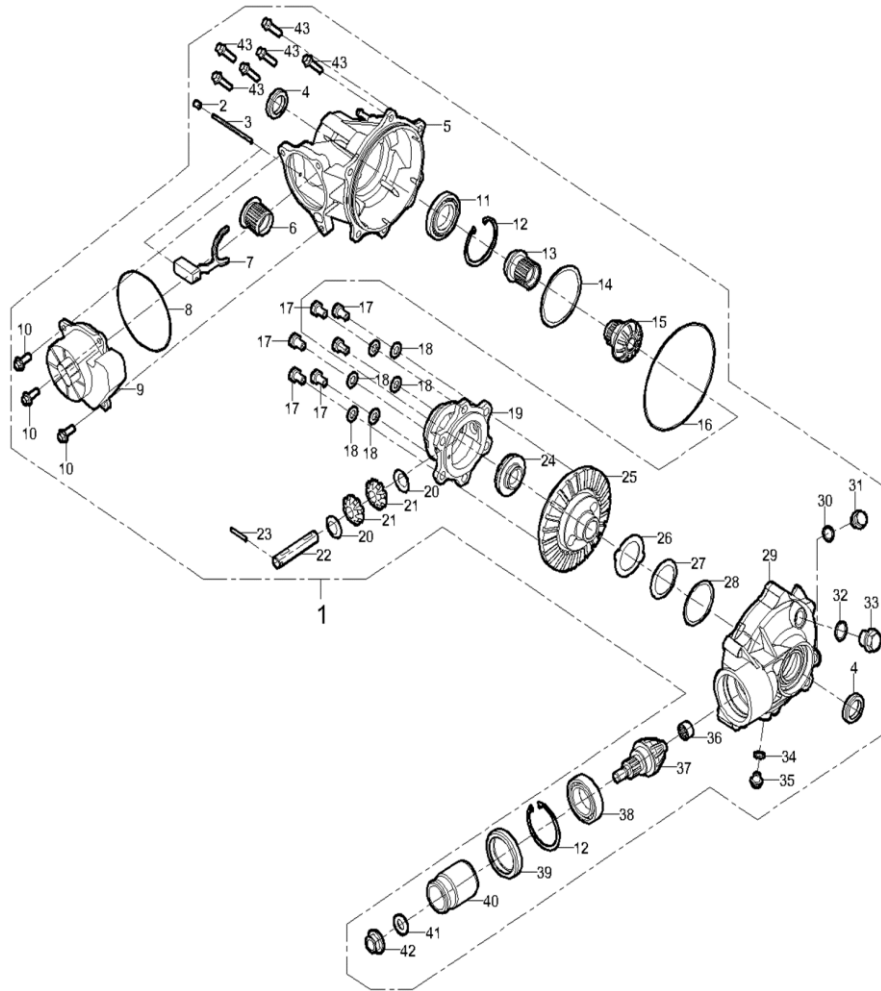
23.2 DIAGRAM 2024 AODES FRONT WINCH ASSY (WITH FRONT BUMPER) F23-2


| ITEM # | CODE | ENGLISH NAME | QTY | WEIGHTS (kg) |
|--------|-------------|---|-----|--------------|
| 1 | 10914150100 | Winch Front Roller Bracket | 1 | 0,6 |
| 2 | 17008110020 | Front Bumper Lining | 1 | 2,62 |
| 3 | 10914060100 | Winch Protection Pad | 1 | 0,06 |
| 4 | 10914150080 | Hook | 1 | 0,25 |
| 5 | 10914150090 | Anchor Rope | 1 | 0,01 |
| 6 | 17008120210 | Front Storage Rack Lining Supports,Driver Side | 1 | 0,41 |
| 7 | 10914150111 | Front Winch Body, 3500Lbs (Nylon Wire) | 1 | 5,863 |
| 8 | 01224080206 | Hex Flange Bolt M8x20 | 20 | 0,41 |
| 9 | 17005270160 | Front Storage Rack Lining Supports,Passenger Side | 1 | 0,481 |
| 10 | 17308860000 | Winch Bracket | 1 | 3,58 |
| 11 | 17008120220 | Winch Relay Mounting Board | 1 | 0,09 |
| 12 | 04612080026 | Hex Flange Locking Nut M8 | 2 | 0,009 |

25. DIAGRAM 2024 AODES FRONT DIFFERENTIAL F25



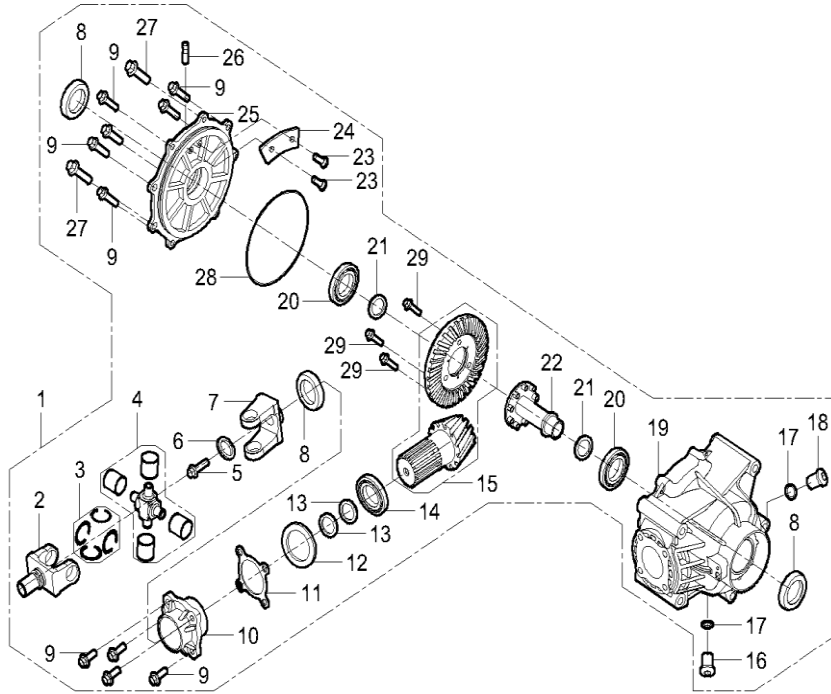
| ITEM # | CODE | ENGLISH NAME | QTY | WEIGHTS (kg) |
|--------|-------------|--|-----|--------------|
| 1 | 21120100031 | Front Differential | 1 | 8,185 |
| 2 | 21120102001 | Hex Socket Screwed Plug M8x1.25x10 | 1 | 0,005 |
| 3 | 21120102301 | Shifting Fork Shaft | 1 | 0,027 |
| 4 | 11010243808 | Oil Seal,Nak Tc9 24 38 8/12 | 2 | 0,023 |
| 5 | 21120101302 | Front Differential Case 2 | 1 | 2,327 |
| 6 | 21120101801 | Shifting Fork Spline Housing | 1 | 0,332 |
| 7 | 21120103801 | 2/4 WD Shift Fork | 1 | 0,082 |
| 8 | 21120105101 | O Ring $\phi 79.6 \times 2$ | 1 | 0,009 |
| 9 | 21120102402 | 2WD/4WD Motor | 1 | 0,491 |
| 10 | 01224080201 | Hex Flange Bolt M8x20 | 3 | 0,027 |
| 11 | 09160061912 | Ball Bearing 61912 | 1 | 0,427 |
| 12 | 07011620204 | Stoper Clip $\phi 62$ | 2 | 0,023 |
| 13 | 21120101901 | Spline Housing | 1 | 0,350 |
| 14 | 21120101501 | Spacer Shim, $\phi 84 \times \phi 73 \times 0.1$ | 1 | 0,005 |
| 14 | 21120101601 | Spacer Shim, $\phi 84 \times \phi 73 \times 0.2$ | 1 | 0,005 |
| 14 | 21120101701 | Spacer Shim, $\phi 84 \times \phi 73 \times 0.5$ | 1 | 0,009 |
| 15 | 21120101401 | Gear, Long C.V. Shaft | 1 | 0,555 |
| 16 | 21120101201 | O-Ring $\phi 140 \times 2.65$ | 1 | 0,009 |
| 17 | 01114100181 | Hex Bolt M10x1.25x18 | 6 | 0,041 |
| 18 | 21120102501 | Washer $\phi 20 \times \phi 10.5 \times 2$ | 6 | 0,009 |
| 19 | 21120100801 | Cover | 1 | 1,759 |



| | | | | |
|----|-------------|---|---|-------|
| 20 | 21120100701 | Spherical Gear Washer | 2 | 0,009 |
| 21 | 21120100501 | Star Gear | 2 | 0,127 |
| 22 | 21120100601 | Star Gear Shaft | 1 | 0,245 |
| 23 | 21120103001 | Spring Pin $\phi 4 \times 30$ | 1 | 0,005 |
| 24 | 21120100401 | Gear, Short C.V. Shaft | 1 | 0,391 |
| 25 | 21120100901 | Driven Bevel Gear | 1 | 3,364 |
| 26 | 21120100201 | Washer $\phi 57 \times \phi 40 \times 1.5$ | 1 | 0,036 |
| 27 | 21120100301 | Spring Washer | 1 | 0,018 |
| 28 | 21120103201 | Spacer Shim, $\phi 61.5 \times \phi 52 \times 0.1$ | 1 | 0,009 |
| 28 | 21120103301 | Spacer Shim, $\phi 61.5 \times \phi 52 \times 0.15$ | 1 | 0,005 |
| 28 | 21120103401 | Spacer Shim, $\phi 61.5 \times \phi 52 \times 0.5$ | 1 | 0,009 |
| 29 | 21120101101 | Front Differential Case | 1 | 2,282 |
| 30 | 21130101701 | O Ring $\phi 13.2 \times 2.65$ | 1 | 0,009 |
| 31 | 21120104001 | Oil Drag Bolt M14X.15X12 | 1 | 0,073 |
| 32 | 21120104201 | O-Ring $\phi 19 \times 2.65$ | 1 | 0,009 |
| 33 | 21120103901 | Injection Bolt M20x1.5x15 | 1 | 0,155 |
| 34 | 21120104501 | Copper Washer $\phi 16 \times \phi 10.2 \times 1.2$ | 1 | 0,005 |
| 35 | 21120104401 | Screw Plug M10x1.25x10 | 1 | 0,027 |
| 36 | 10030001512 | Needle Bearing Hk1512 | 1 | 0,027 |
| 37 | 21120100101 | Driving Bevel Gear, Front Diff | 1 | 0,995 |
| 38 | 09160106007 | Ball Bearing 6007 | 1 | 0,323 |
| 39 | 11010486512 | Oil Seal, Nak 48 65 12 Gc | 1 | 0,068 |

| | | | | | |
|--|----|-------------|--------------------------------|---|-------|
| | 40 | 21120105401 | Front Differential Splined Hub | 1 | 0,350 |
| | 41 | 21120104801 | O Ring ϕ 14X6.8 | 1 | 0,009 |
| | 42 | 21120102701 | Hex Flange Locking Nut M14x1.5 | 1 | 0,077 |
| | 43 | 01225080251 | Hex Flange Bolt M8X25 | 6 | 0,014 |

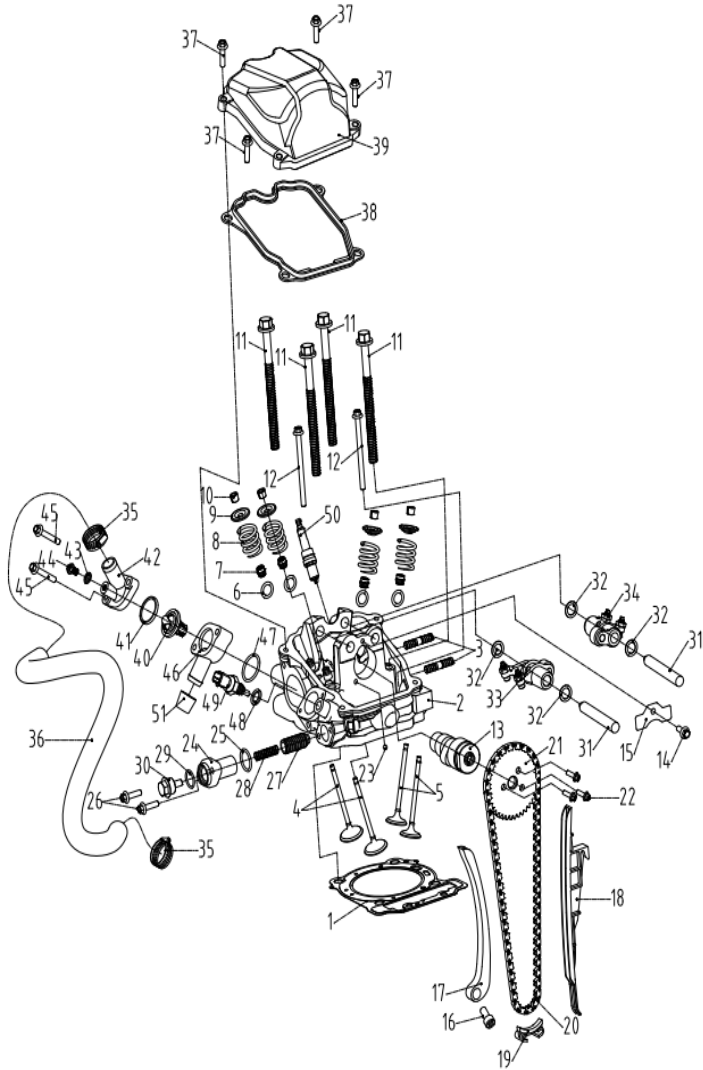
26. DIAGRAM 2024 AODES REAR DIFFERENTIAL F26



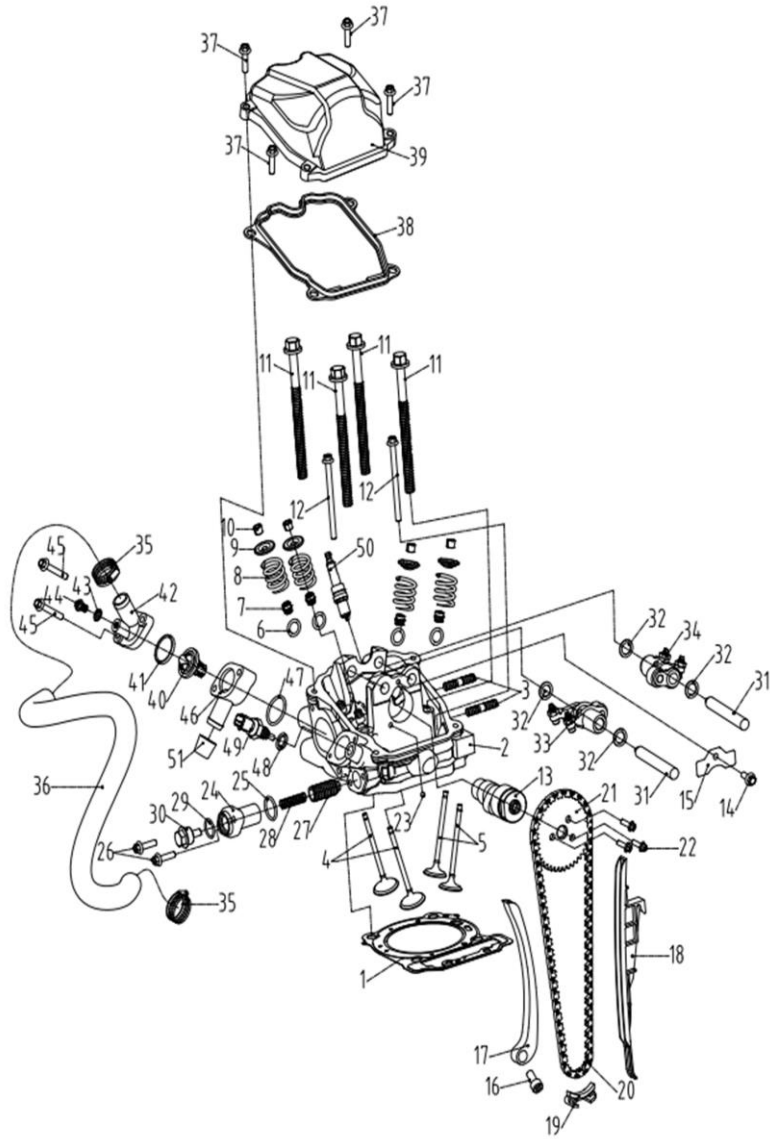
| ITEM # | CODE | ENGLISH NAME | QTY | WEIGHTS (kg) |
|--------|-------------|--|-----|--------------|
| 1 | 17003120100 | Rear Reducer(Regular) | 1 | 10,092 |
| 2 | 17003130130 | Rear Joint Fork | 1 | 0,436 |
| 3 | 07011250004 | C-Clamp $\phi 25$ | 4 | 0,002 |
| 4 | 17003130120 | Cross Fork Shaft (Assy) | 2 | 1,200 |
| 5 | 01256100256 | Hex Flange Bolt M10X25X1.25 | 1 | 0,030 |
| 6 | 06119112835 | Washer $\phi 10.5 \times \phi 28 \times 3.5$ | 1 | 0,015 |
| 7 | 17003130110 | Joint Fork | 1 | 0,436 |
| 8 | 11010035507 | Oil Seal $\phi 35 \times \phi 50 \times 7$ | 3 | 0,014 |
| 9 | 17003121010 | Bolt | 10 | 0,018 |
| 10 | 17003120830 | Bearing Bracket | 1 | 0,436 |
| 11 | 17003120840 | Clearance Adjusting Washer | 1 | 0,014 |
| 12 | 17003120850 | O-Ring | 1 | 0,009 |
| 13 | 17003120860 | Adjusting Washer | 2 | 0,014 |
| 14 | 17003120870 | Tapered Roller Bearing | 1 | 0,159 |
| 15 | 17003120880 | Rear Driving Tapered Gear | 1 | 0,564 |
| | 17003120890 | Rear Driven Tapered Gear | 1 | 2,555 |
| 16 | 17003121020 | Magnetic Oil Draining Bolt 14X1.25X12 | 1 | 0,018 |
| 17 | 17003121030 | Washer 14X21X1 | 2 | 0,036 |
| 18 | 17003121040 | Bolt | 1 | 0,018 |
| 19 | 17003120900 | Rear Differential Housing | 1 | 2,005 |
| 20 | 17003120910 | Tapered Roller Bearing | 2 | 0,159 |

| | | | | | |
|--|----|-------------|-----------------------------|---|-------|
| | 21 | 17003120920 | Adjusting Washer | 2 | 0,014 |
| | 22 | 17003120930 | Mounting Base | 1 | 0,436 |
| | 23 | 17003120940 | Screw | 2 | 0,014 |
| | 24 | 17003120950 | Oil Deflector | 1 | 0,041 |
| | 25 | 17003120960 | Rear Differential End Cover | 1 | 0,041 |
| | 26 | 17003120970 | Vent Joint | 1 | 0,014 |
| | 27 | 17003120980 | Bolt 10X1.25X25 | 2 | 0,018 |
| | 28 | 17003120990 | O-Ring Seal | 1 | 0,009 |
| | 29 | 17003121000 | Bot 10X1.25X22 | 8 | 0,018 |

| | ITEM # | CODE | ENGLISH NAME | QTY | WEIGHTS (kg) |
|--|--------|-------------|------------------------|-----|--------------|
| | 1 | 41000409115 | Engine Assembly 1000cc | 1 | 85 |
| | 2 | 21050100011 | Crankcase Assembly | 1 | 45 |
| | 3 | 21050200002 | Transmission Assembly | 1 | 25 |

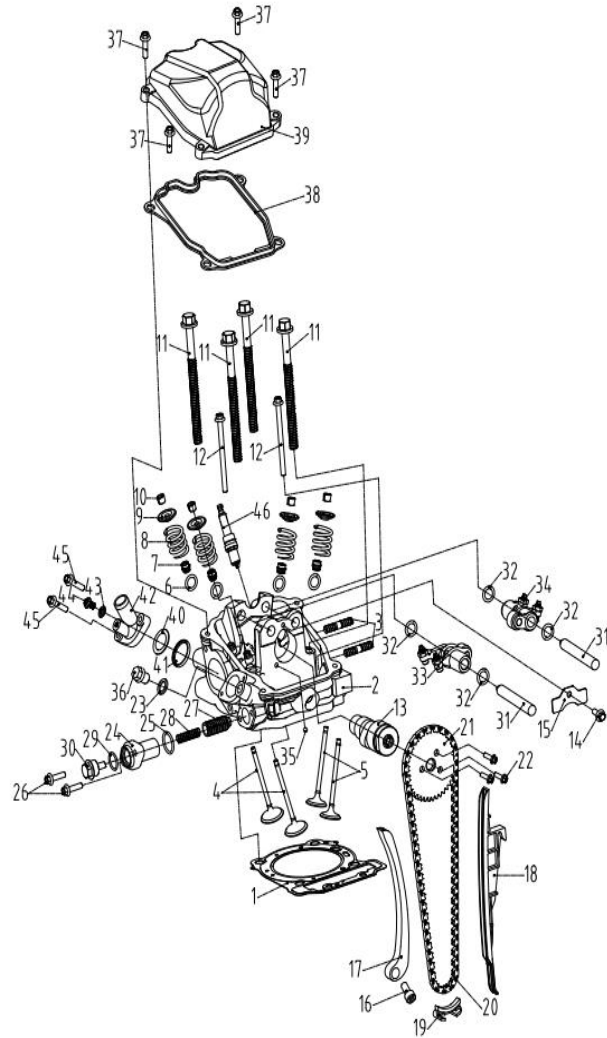
E01. DIAGRAM 2024 AODES FIRST CYLINDER HEAD ASSY E01


| ITEM # | CODE | ENGLISH NAME | QTY | WEIGHTS (kg) |
|--------|-------------|-----------------------------|-----|--------------|
| 1 | 21040100102 | Cylinder Head Gasket | 1 | 0,045 |
| 2 | 21050100201 | Cylinder Head | 1 | 2,334 |
| 3 | 21040100501 | Stud M8x45 | 2 | 0,015 |
| 4 | 21050100401 | Intake Valve, 31mm | 2 | 0,037 |
| 5 | 21050100501 | Exhaust Valve, 365mm | 2 | 0,040 |
| 6 | 21050100601 | Thrust Washer 26x11x0.5 | 4 | 0,002 |
| 7 | 21050100701 | Valve Oil Seal Φ 5.5x8 | 4 | 0,001 |
| 8 | 21050100801 | Valve Spring | 4 | 0,030 |
| 9 | 21050100901 | Valve Spring Retainer | 4 | 0,007 |
| 10 | 21050101001 | Cotter Valve | 8 | 0,001 |
| 11 | 21050101201 | Bolt M10x159 | 4 | 0,100 |
| 11 | 21050101202 | Bolt M10x159 | 4 | 0,100 |
| 12 | 01214061051 | Hex Flange Bolt M6X105 | 2 | 0,020 |
| 13 | 21050101301 | Camshaft | 1 | 0,370 |
| 14 | 01224060161 | Hex Flange Bolt M6X16 | 1 | 0,005 |
| 15 | 21040101601 | Holding Guard | 1 | 0,010 |
| 16 | 21040101701 | Bearing Screw 6 | 1 | 0,011 |
| 17 | 21050102301 | Chain Tension Guide | 1 | 0,091 |
| 18 | 21050102401 | Chain Guide | 1 | 0,031 |
| 19 | 21040102001 | Chain Guide | 1 | 0,004 |
| 20 | 21050102601 | Silent Chain 118 | 1 | 0,179 |

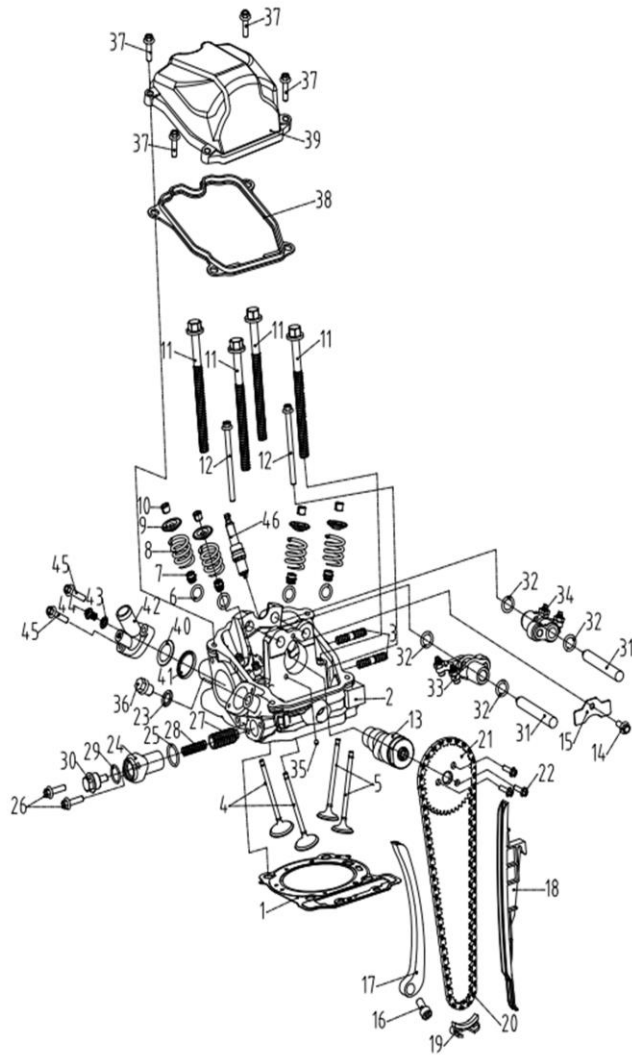


| | | | | |
|----|-------------|-----------------------------|---|-------|
| 21 | 21050102701 | Camshaft Sprocket, 42 Teeth | 1 | 0,173 |
| 22 | 21050102801 | Screw 6x12 | 3 | 0,004 |
| 23 | 21040100401 | Steel Ball Sφ5.159 | 1 | 0,001 |
| 24 | 21040102401 | Chain Tensioner Housing | 1 | 0,021 |
| 25 | 21040102501 | O-Ring φ21X2.5 | 1 | 0,001 |
| 26 | 01224060221 | Hex Flange Bolt M6X22 | 2 | 0,006 |
| 27 | 21040102601 | Chain Tensioner Plunger | 1 | 0,009 |
| 28 | 21040102901 | Spring | 1 | 0,003 |
| 29 | 21040102701 | O-Ring φ17x2 | 1 | 0,001 |
| 30 | 21040102801 | Plug Screw | 1 | 0,006 |
| 31 | 21050102001 | Pin #12, Small | 2 | 0,074 |
| 32 | 21040103201 | Flat Washer φ12.4xφ18.6x0.5 | 4 | 0,001 |
| 33 | 21050101601 | Rocker Arm Inlet | 1 | 0,161 |
| 34 | 21050101701 | Rocker Arm Exhaust | 1 | 0,180 |
| 35 | 21040104902 | Clamp φ 16-27 | 2 | 0,015 |
| 36 | 21040105001 | Water Tube | 1 | 0,128 |
| 37 | 01224060251 | Hex Flange Bolt M6X25 | 4 | 0,007 |
| 38 | 21040103801 | Valve Cover Gasket | 1 | 0,036 |
| 39 | 21040103901 | Valve Cover | 1 | 0,326 |
| 40 | 21040104001 | Thermostat | 1 | 0,036 |
| 41 | 21040104201 | Thermostat Gasket | 1 | 0,001 |
| 42 | 21040104301 | Thermostat Cover | 1 | 0,042 |

| | | | | | |
|--|----|-------------|--|---|-------|
| | 43 | 06150061201 | Gasket Ring 6 | 1 | 0,001 |
| | 43 | 21040117001 | Screw Washer | 1 | 0,001 |
| | 44 | 21040104401 | Bleeding Screw M6x10 | 1 | 0,002 |
| | 45 | 01214060451 | Hex Flange Bolt M6X45 | 2 | 0,011 |
| | 46 | 21040104501 | Connection Socket | 1 | 0,055 |
| | 47 | 21040104601 | O-Ring ϕ 27.8X2.6 | 1 | 0,001 |
| | 48 | 21040104701 | Copper Washer ϕ 18X ϕ 12.4X2 | 1 | 0,002 |
| | 49 | 21040103001 | Water Temperature Sensor | 1 | 0,021 |
| | 50 | 21050103901 | Spark Plug, Ngk Cpr8Ea-9 | 1 | 0,035 |
| | 51 | 21040104361 | Housing Cap | 1 | 0,002 |

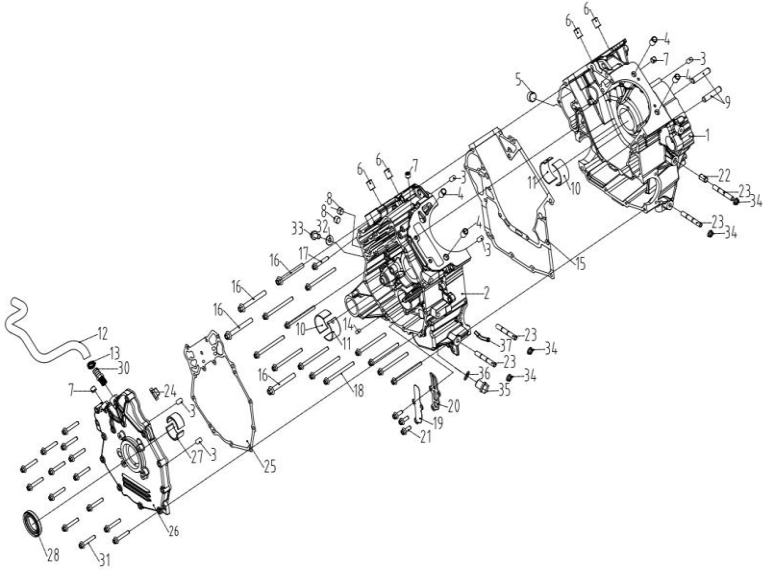
E02. DIAGRAM 2024 AODES SECOND CYLINDER HEAD ASSY E02


| ITEM # | CODE | ENGLISH NAME | QTY | WEIGHTS (kg) |
|--------|-------------|------------------------------------|-----|--------------|
| 1 | 21040100102 | Cylinder Head Gasket | 1 | 0,045 |
| 2 | 21050100201 | Cylinder Head | 1 | 2,334 |
| 3 | 21040100501 | Stud M8x45 | 2 | 0,015 |
| 4 | 21050100401 | Intake Valve, 31mm | 2 | 0,037 |
| 5 | 21050100501 | Exhaust Valve, 365mm | 2 | 0,040 |
| 6 | 21050100601 | Thrust Washer 26x11x0.5 | 4 | 0,002 |
| 7 | 21050100701 | Valve Oil Seal $\Phi 5.5 \times 8$ | 4 | 0,001 |
| 8 | 21050100801 | Valve Spring | 4 | 0,030 |
| 9 | 21050100901 | Valve Spring Retainer | 4 | 0,007 |
| 10 | 21050101001 | Cotter Valve | 8 | 0,001 |
| 11 | 21050101201 | Bolt M10x159 | 4 | 0,100 |
| 11 | 21050101202 | Bolt M10x159 | 4 | 0,100 |
| 12 | 01214061051 | Hex Flange Bolt M6X105 | 2 | 0,020 |
| 13 | 21050201301 | Camshaft | 1 | 0,373 |
| 14 | 01224060161 | Hex Flange Bolt M6X16 | 1 | 0,005 |
| 15 | 21040101601 | Holding Guard | 1 | 0,010 |
| 16 | 21040101701 | Bearing Screw 6 | 1 | 0,011 |
| 17 | 21050102301 | Chain Tension Guide | 1 | 0,091 |
| 18 | 21050102401 | Chain Guide | 1 | 0,031 |
| 19 | 21040102001 | Chain Guide | 1 | 0,004 |
| 20 | 21050102601 | Silent Chain 118 | 1 | 0,179 |



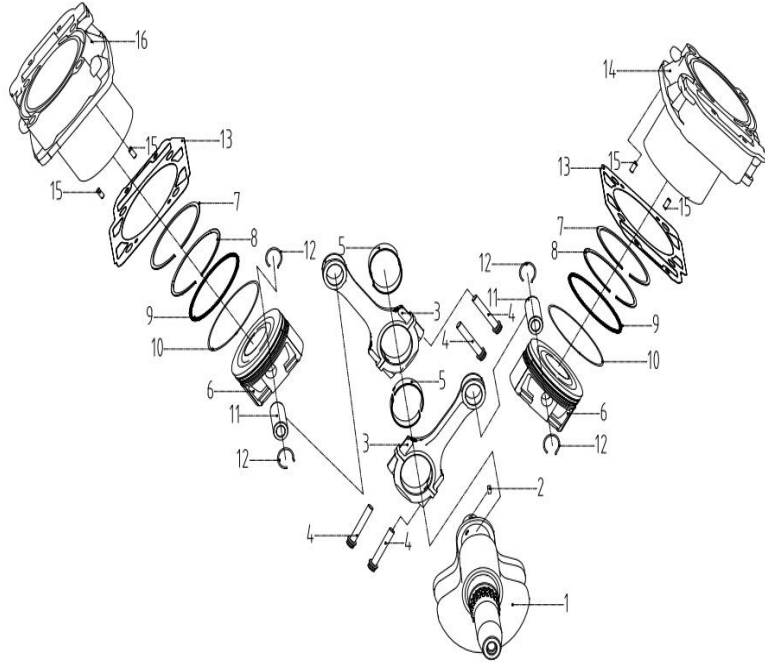
| | | | | |
|----|-------------|---|---|-------|
| 21 | 21050102701 | Camshaft Sprocket, 42 Teeth | 1 | 0,173 |
| 22 | 21050102801 | Screw 6x12 | 3 | 0,004 |
| 23 | 21040104701 | Copper Washer $\phi 18 \times \phi 12.4 \times 2$ | 1 | 0,002 |
| 24 | 21040102401 | Chain Tensioner Housing | 1 | 0,021 |
| 25 | 21040102501 | O-Ring $\phi 21 \times 2.5$ | 1 | 0,001 |
| 26 | 01224060221 | Hex Flange Bolt M6X22 | 2 | 0,006 |
| 27 | 21040102601 | Chain Tensioner Plunger | 1 | 0,009 |
| 28 | 21040102901 | Spring | 1 | 0,003 |
| 29 | 21040102701 | O-Ring $\phi 17 \times 2$ | 1 | 0,001 |
| 30 | 21040102801 | Plug Screw | 1 | 0,006 |
| 31 | 21050102001 | Pin #12, Small | 2 | 0,074 |
| 32 | 21040103201 | Flat Washer $\phi 12.4 \times \phi 18.6 \times 0.5$ | 4 | 0,001 |
| 33 | 21050101601 | Rocker Arm Inlet | 1 | 0,161 |
| 34 | 21050101701 | Rocker Arm Exhaust | 1 | 0,180 |
| 35 | 21040100401 | Steel Ball S $\phi 5.159$ | 1 | 0,001 |
| 37 | 01224060251 | Hex Flange Bolt M6X25 | 4 | 0,007 |
| 36 | 21040104801 | Plug Screw M12x1.5 | 1 | 0,020 |
| 38 | 21040103801 | Valve Cover Gasket | 1 | 0,036 |
| 39 | 21040103901 | Valve Cover | 1 | 0,326 |
| 40 | 21040104101 | Spacer Assembly $\phi 30 \times \phi 20.5 \times 1$ | 1 | 0,001 |
| 41 | 21040104201 | Thermostat Gasket | 1 | 0,001 |
| 42 | 21040104301 | Thermostat Cover | 1 | 0,042 |

| | | | | | |
|--|----|-------------|--------------------------|---|-------|
| | 43 | 06150061201 | Gasket Ring 6 | 1 | 0,001 |
| | 43 | 21040117001 | Screw Washer | 1 | 0,001 |
| | 44 | 21040104401 | Bleeding Screw M6x10 | 1 | 0,002 |
| | 45 | 01224060251 | Hex Flange Bolt M6X25 | 2 | 0,007 |
| | 46 | 21050103901 | Spark Plug, Ngk Cpr8Ea-9 | 1 | 0,035 |

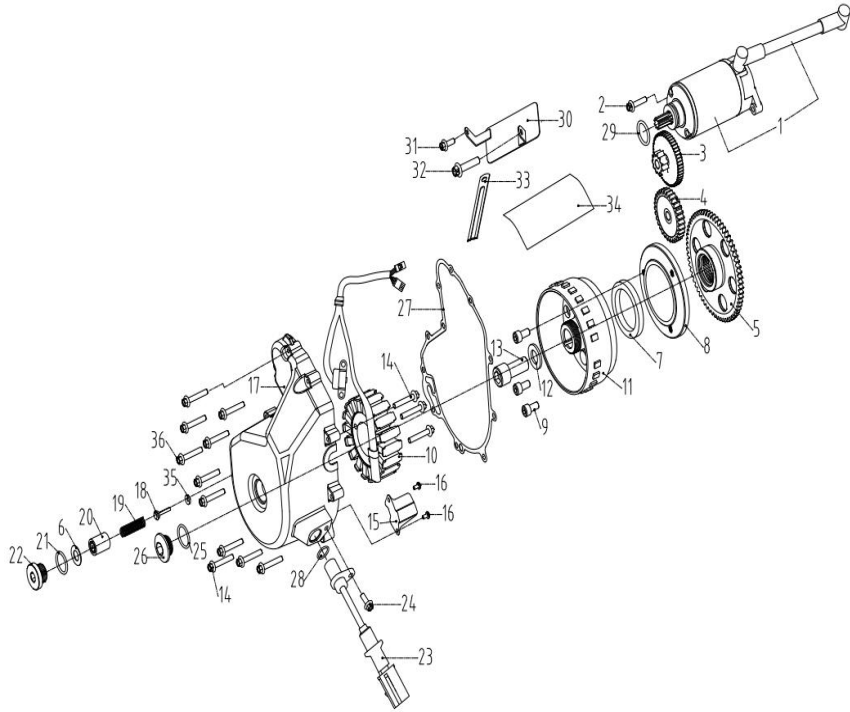
E03. DIAGRAM 2024 AODES CRANKCASE E03


| ITEM # | CODE | ENGLISH NAME | QTY | WEIGHTS (kg) |
|--------|-------------|------------------------------------|-----|--------------|
| 1 | 21050300102 | Right Crankcase | 1 | 4,650 |
| 2 | 21050300201 | Left Crankcase | 1 | 4,800 |
| 3 | 21040105401 | Center Pin $\phi 8 \times 12$ | 5 | 0,004 |
| 4 | 21040105502 | Drive Pin $\phi 5 \times 11$ | 4 | 0,002 |
| 5 | 21040105601 | Plug Screw Npt 1/8 | 1 | 0,020 |
| 6 | 90101120650 | Insert Pin M10*1.5-17K | 8 | 0,002 |
| 7 | 21040105701 | Plug Screw Npt 1/8 | 3 | 0,004 |
| 8 | 21040105801 | Plug Screw Npt 1/4 | 2 | 0,008 |
| 9 | 21040105901 | Location Pin | 3 | 0,030 |
| 10 | 21040106001 | Plain Bearing | 2 | 0,025 |
| 10 | 21040106002 | Plain Bearing | 2 | 0,025 |
| 11 | 21040106101 | Plain Bearing | 2 | 0,025 |
| 11 | 21040106102 | Plain Bearing | 2 | 0,025 |
| 12 | 21170102101 | Crankcase Off-Gas Line (Left Case) | 1 | 0,200 |
| 13 | 21040403801 | Clamp $\phi 10-16$ | 1 | 0,005 |
| 14 | 21040106301 | Needle Pin 6×10 | 1 | 0,005 |
| 15 | 21050301601 | Gasket | 1 | 0,014 |
| 16 | 01214080651 | Hex Flange Bolt M8x65 | 4 | 0,025 |
| 17 | 01224060251 | Hex Flange Bolt M6X25 | 2 | 0,007 |
| 18 | 01214060751 | Hex Flange Bolt M6X75 | 13 | 0,015 |
| 19 | 21040106501 | Valve Plate | 1 | 0,001 |

| | | | | | |
|--|----|-------------|--|----|-------|
| | 19 | 21040106502 | Valve Plate | 1 | 0,001 |
| | 20 | 21040106601 | Reed Valve Stop | 1 | 0,019 |
| | 21 | 01224060161 | Hex Flange Bolt M6X16 | 3 | 0,005 |
| | 22 | 21040116001 | Dowel Pin $\phi 10 \times 16$ | 1 | 0,003 |
| | 23 | 21050301301 | Stud M8x69 | 4 | 0,022 |
| | 24 | 21050302411 | Slip Insert | 1 | 0,014 |
| | 25 | 21040106901 | Gasket | 1 | 0,008 |
| | 26 | 21050302400 | Left Cover | 1 | 0,949 |
| | 27 | 21040107101 | Bearing Sleeve | 2 | 0,015 |
| | 27 | 21040107102 | Bearing Sleeve | 2 | 0,015 |
| | 28 | 21040107301 | Oil Seal 34x52x8 | 1 | 0,021 |
| | 30 | 21040107201 | Hose Outlet Npt1/4 | 1 | 0,021 |
| | 31 | 01224060351 | Hex Flange Bolt M6X35 | 14 | 0,009 |
| | 32 | 21040107401 | Sealing Ring $\Phi 8$ | 1 | 0,001 |
| | 33 | 01224080161 | Hex Flange Bolt M8X16 | 1 | 0,011 |
| | 34 | 04112080021 | Hex Flange Nut M8 | 4 | 0,002 |
| | 35 | 21050600202 | Drain Plug 18x15 | 1 | 0,033 |
| | 36 | 21050600101 | O-Ring $\Phi 24 \times \Phi 18 \times 1$ | 1 | 0,002 |
| | 37 | 21050301211 | Insert Pin | 1 | 0,006 |

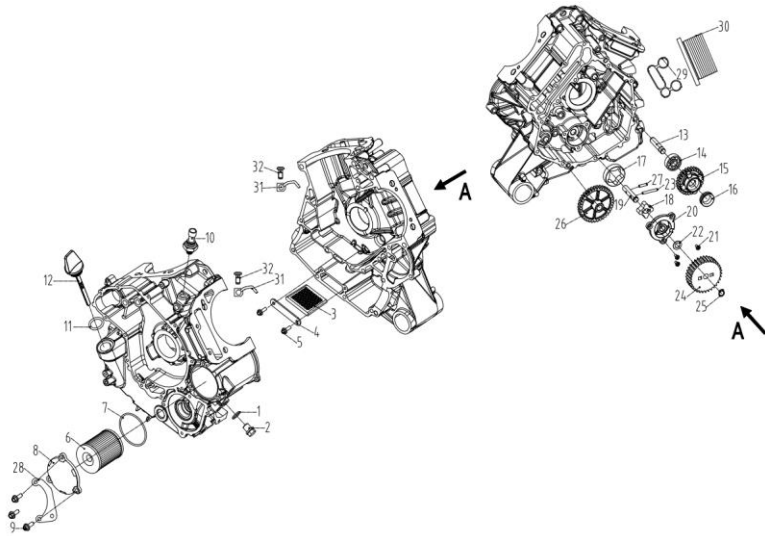
E04. DIAGRAM 2024 AODES CRANSHAFT&PIOSTON& CYLINDER E04


| ITEM # | CODE | ENGLISH NAME | QTY | WEIGHTS (kg) |
|--------|-------------|------------------------------|-----|--------------|
| 1 | 21050400101 | Crankshaft (1000Cc) | 1 | 5,500 |
| 2 | 21040107701 | Woodruff Key 4x5 | 1 | 0,001 |
| 3 | 21050400200 | Connecting Rod Assembly | 2 | 0,530 |
| 4 | 21050400231 | Connecting Rod Screw 9x1/45 | 4 | 0,026 |
| 5 | 21050400501 | Plain Bearing | 4 | 0,015 |
| 5 | 21050400502 | Plain Bearing | 4 | 0,015 |
| 6 | 21050400600 | Piston , 90.55 mm | 2 | 0,337 |
| 7 | 21040108301 | First Piston Ring | 2 | 0,008 |
| 8 | 21040108401 | Second Piston Ring | 2 | 0,011 |
| 9 | 21040108501 | Scraper Ring | 4 | 0,002 |
| 10 | 21040108601 | Oil Ring | 2 | 0,003 |
| 11 | 21050400801 | Piston Pin | 2 | 0,101 |
| 12 | 21050400901 | Piston Circlip | 4 | 0,001 |
| 13 | 21040408901 | Gasket | 2 | 0,001 |
| 14 | 21050401101 | Front Cylinder Body | 1 | 2,240 |
| 14 | 21050401102 | Front Cylinder Body | 1 | 2,240 |
| 15 | 21040105502 | Drive Pin $\phi 5 \times 11$ | 4 | 0,002 |
| 16 | 21050401201 | Rear Cylinder Body | 1 | 2,240 |
| 16 | 21050401202 | Rear Cylinder Body | 1 | 2,240 |

E05. DIAGRAM 2024 AODES MEGNETO&STARTER MOTOR E05


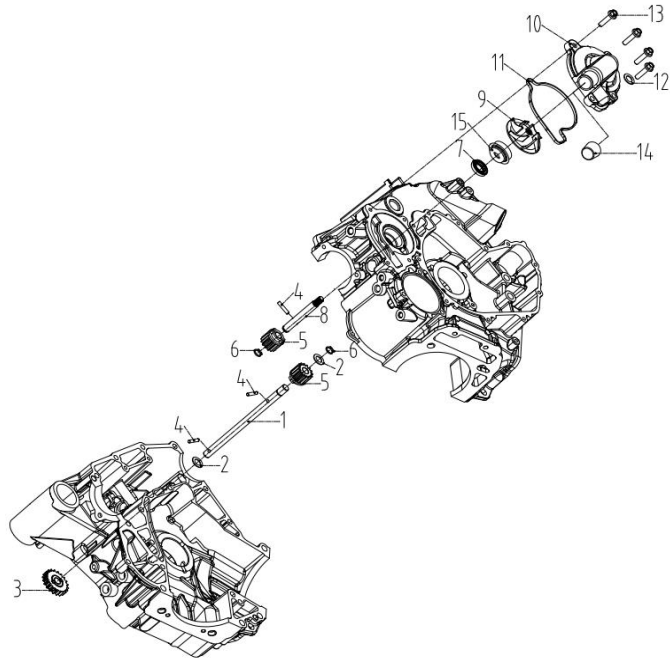
| ITEM # | CODE | ENGLISH NAME | QTY | WEIGHTS (kg) |
|--------|-------------|----------------------------|-----|--------------|
| 1 | 21170102703 | Starter Assembly | 1 | 2,094 |
| 2 | 02224080251 | Hex Flange Bolt M8×25 | 1 | 0,014 |
| 3 | 21040109201 | Double Gear 49T/11T | 1 | 0,191 |
| 4 | 21040109301 | Gear, 30 Teeth | 1 | 0,156 |
| 5 | 21040109401 | Free Wheel Gear, 64 Teeth | 1 | 0,488 |
| 7 | 21040109501 | Sprag Clutch | 1 | 0,088 |
| 8 | 21040109601 | Sprag Clutch Housing | 1 | 0,477 |
| 9 | 03344080161 | Hexagon Socket Bolt M8×16 | 3 | 0,012 |
| 10 | 21170103101 | Stator Plate | 1 | 1,200 |
| 11 | 21170103201 | Flywheel | 1 | 1,400 |
| 12 | 21040109901 | Shim φ30×φ16.5×3 | 1 | 0,011 |
| 13 | 03344160357 | Hexagon Socket Bolt M16×35 | 1 | 0,085 |
| 14 | 01224060351 | Hex Flange Bolt M6X35 | 14 | 0,009 |
| 15 | 21040110101 | Cable Inner Cover | 1 | 0,012 |
| 16 | 03113040081 | Tap Screw M4×8 | 2 | 0,001 |
| 17 | 22040110202 | Magneto Cover | 1 | 1,169 |
| 18 | 21040110401 | Pressure Relief Valve | 1 | 0,005 |
| 19 | 21040110501 | Compression Spring | 1 | 0,002 |
| 20 | 21040110601 | Housing Valve | 1 | 0,008 |
| 21 | 21040500601 | O-Ring φ22.5×2.7 | 1 | 0,001 |
| 22 | 21040110801 | Screw Plug M22X1.5 | 1 | 0,059 |

| | | | | | |
|--|----|-------------|---|---|-------|
| | 23 | 21040110901 | Crankshaft Position Sensor Assembly | 1 | 0,058 |
| | 24 | 01224060161 | Hex Flange Bolt M6X16 | 1 | 0,005 |
| | 25 | 21040111101 | O-Ring,φ24X2.5 | 1 | 0,001 |
| | 26 | 21040111201 | Screw Plug | 1 | 0,007 |
| | 27 | 21040111301 | Gasket | 1 | 0,005 |
| | 28 | 21040111001 | O-Ring φ16X2 | 1 | 0,001 |
| | 29 | 21040109118 | O-Ring 23.8x3.1 | 1 | 0,001 |
| | 30 | 21051101501 | Starter Shield | 1 | 0,136 |
| | 31 | 01224060141 | Hex Flange Bolt M6X14 | 1 | 0,005 |
| | 32 | 01224080161 | Hex Flange Bolt M8X16 | 1 | 0,011 |
| | 33 | 21040402401 | Wire Harness Mounting Board | 1 | 0,011 |
| | 34 | 21040117501 | Brake Cable-Heat Insulation Film (Thin) | 1 | 0,001 |
| | 35 | 21040110301 | Cushion | 1 | 0,001 |
| | 36 | 01224060404 | Hex Flange Bolt M6X40 | 1 | 0,001 |

E06. DIAGRAM 2024 AODES ENGINE LUBRICATION E06


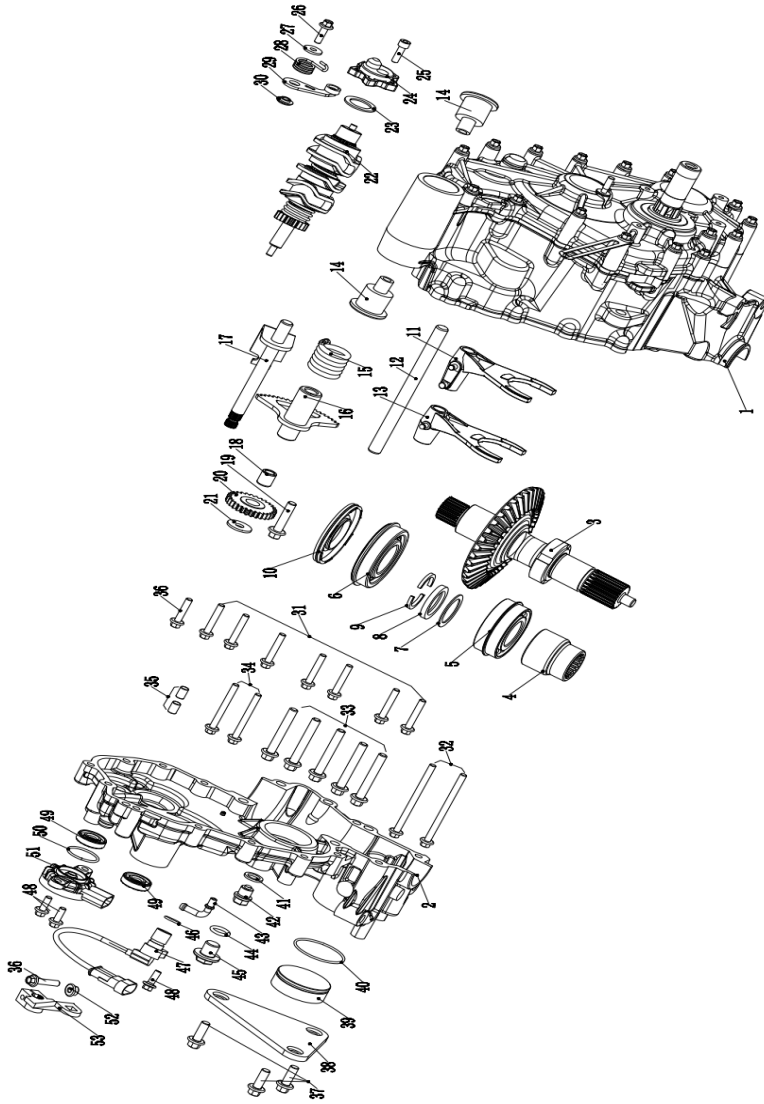
| ITEM # | CODE | ENGLISH NAME | QTY | WEIGHTS (kg) |
|--------|-------------|---|-----|--------------|
| 1 | 21040104701 | Copper Washer $\phi 18 \times \phi 12.4 \times 2$ | 1 | 0,002 |
| 2 | 21040104801 | Plug Screw M12x1.5 | 1 | 0,020 |
| 3 | 21040111401 | Oil Filter | 1 | 0,007 |
| 4 | 21050904801 | Oil Filter Cover | 1 | 0,017 |
| 5 | 01223050161 | Hex Flange Bolt M5X16 | 2 | 0,004 |
| 6 | 21040111601 | Oil Filter | 1 | 0,063 |
| 7 | 21040116901 | O-Ring $\phi 1.5 \times 2.65$ | 1 | 0,001 |
| 8 | 21040111801 | Oil Filter Cover | 1 | 0,085 |
| 9 | 01224060181 | Hex Flange Bolt M6X18 | 3 | 0,007 |
| 10 | 21040111901 | Oil Pressure Switch | 1 | 0,031 |
| 11 | 21040112001 | O-Ring, $\phi 22 \times 3.5$ | 2 | 0,001 |
| 12 | 21040112101 | Oil Dipstick | 1 | 0,023 |
| 13 | 21040516601 | Bearing Pin | 2 | 0,030 |
| 14 | 09360006200 | Ball Bearing 6200-2 Rz | 1 | 0,032 |
| 15 | 21050602212 | Idle Gear 28 Teeth | 1 | 0,020 |
| 16 | 21050602221 | Oil Seal $\Phi 15 \times 26 \times 7$ | 1 | 0,006 |
| 17 | 21040112501 | Bolt | 1 | 0,048 |
| 18 | 21040112601 | Oil Pump Rotor | 1 | 0,026 |
| 19 | 21040112801 | Oil Pump Shaft | 1 | 0,028 |
| 20 | 21040112901 | Oil Pump Cover | 1 | 0,042 |
| 21 | 03424050161 | Screw M5x16 | 3 | 0,002 |

| | | | | | |
|--|----|-------------|-----------------------------|---|-------|
| | 22 | 21040113001 | Thrust Washer,φ17Xφ10.2X1 | 1 | 0,001 |
| | 23 | 21040113101 | Needle Pin,φ4X30 | 1 | 0,003 |
| | 24 | 21040113202 | Oil Pump Gear, 33 Teeth | 1 | 0,021 |
| | 25 | 07021101004 | Snap Ring φ10 | 1 | 0,001 |
| | 26 | 21040113402 | Idle Gear, 38T | 1 | 0,033 |
| | 27 | 21040112701 | Needle Pin φ4×16 | 1 | 0,002 |
| | 28 | 17012050060 | Water Outlet Mounting Board | 1 | 0,020 |
| | 29 | 21050601101 | Oil Seal | 1 | 0,002 |
| | 30 | 21050601201 | Oil Radiator | 1 | 0,245 |
| | 31 | 21050603501 | Oil Nozzle | 2 | 0,008 |
| | 32 | 21050603601 | Oil Nozzle Clip | 2 | 0,008 |

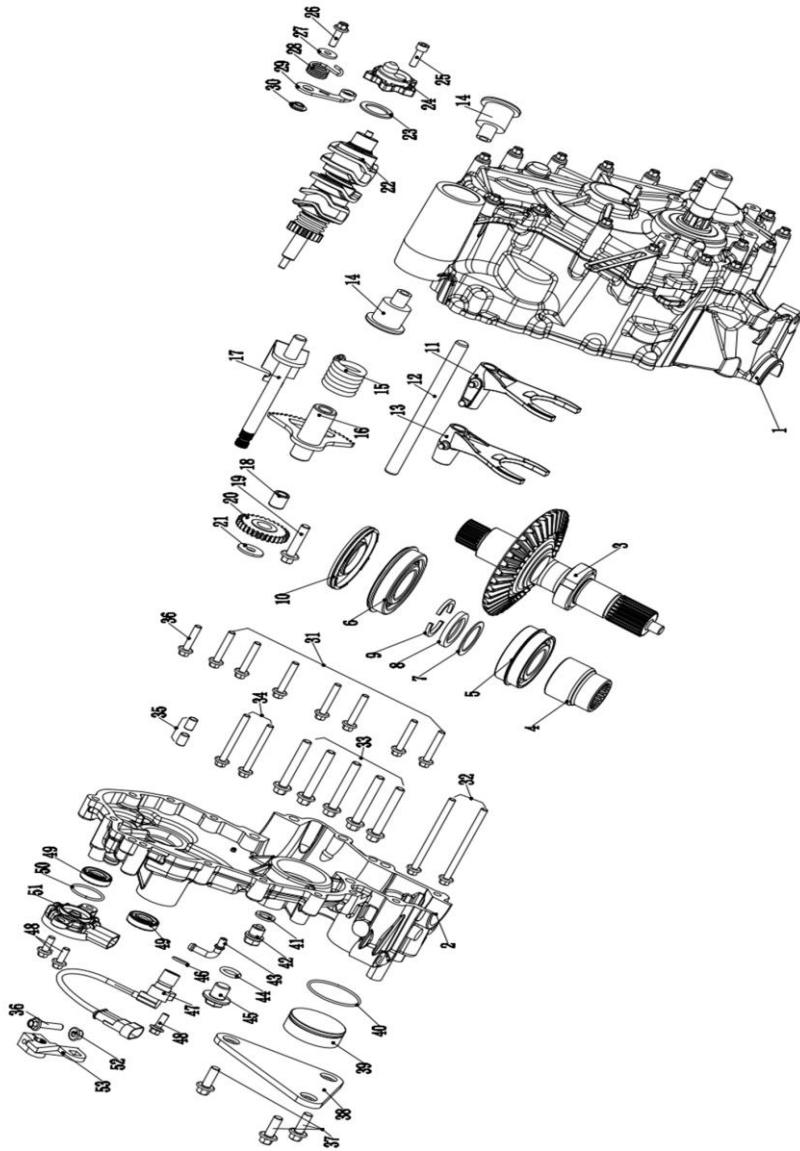
E07. DIAGRAM 2024 AODES ENGINE COOLING E07


| ITEM # | CODE | ENGLISH NAME | QTY | WEIGHTS (kg) |
|--------|-------------|-------------------------------|-----|--------------|
| 1 | 21040113501 | Intermediate Shaft | 1 | 0,099 |
| 2 | 21040113001 | Thrust Washer,φ17Xφ10.2X1 | 2 | 0,001 |
| 3 | 21040113602 | Water Pump Gear Z=20 | 1 | 0,009 |
| 4 | 21040113701 | Needle Pin φ4×20 | 3 | 0,002 |
| 5 | 21040113802 | Pump Gear,15 Teeth | 2 | 0,009 |
| 6 | 07021101004 | Snap Ring φ10 | 2 | 0,001 |
| 7 | 21040106201 | Oil Seal φ10Xφ25X5 | 1 | 0,004 |
| 8 | 21040114001 | Water Pump Shaft | 1 | 0,044 |
| 9 | 21040114102 | Water Impeller | 1 | 0,020 |
| 10 | 21040114201 | Water Pump Housing | 1 | 0,183 |
| 11 | 21040114301 | Gasket | 1 | 0,001 |
| 12 | 06150061201 | Gasket Ring 6 | 1 | 0,001 |
| 13 | 01224060251 | Hex Flange Bolt M6X25 | 4 | 0,007 |
| 14 | 21040114211 | Water Pump Housing Rubber Cap | 1 | 0,001 |
| 15 | 21040113901 | Rotary Seal | 1 | 0,018 |

E08. DIAGRAM 2024 AODES GEAR BOX 1 E08



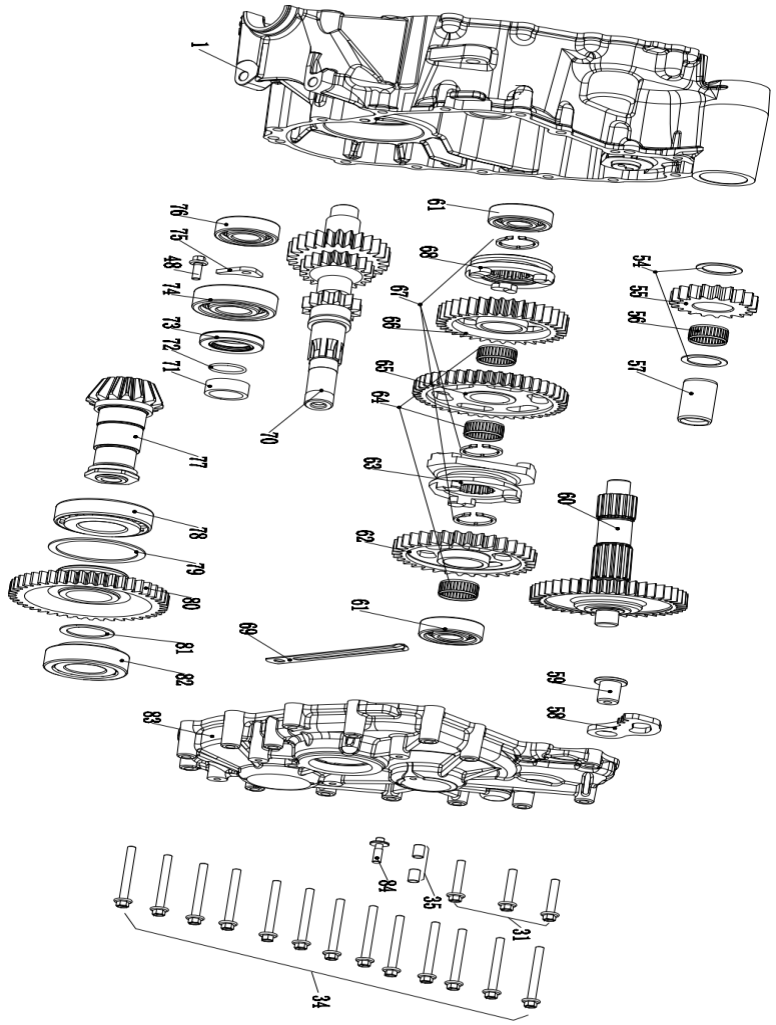
| ITEM # | CODE | ENGLISH NAME | QTY | WEIGHTS (kg) |
|--------|-------------|-----------------------------|-----|--------------|
| 1 | 21050900112 | Gear housing | 1 | 3,25 |
| 2 | 21050900122 | Gear Housing Right cover | 1 | 1,7 |
| 3 | 21050902602 | Drive axle set | 1 | 2,35 |
| 4 | 21040202101 | Shifting sleeve kit | 1 | 0,246 |
| 5 | 21050902801 | Ball bearing 6207N/C3 | 1 | 0,302 |
| 6 | 21050902501 | Ball bearing SKF BA2-7353 | 1 | 0,304 |
| 7 | 21050902900 | Shim Set. | 1 | 0,01 |
| | 21050902901 | Shim Set. | | 0,002 |
| | 21050902903 | Shim Set. | | 0,01 |
| 8 | 21050903001 | Angular ring | 1 | 0,019 |
| 9 | 21050903101 | Half location ring | 2 | 0,003 |
| 11 | 21050909201 | Shift fork | 1 | 0,181 |
| 12 | 21050909101 | Fork spindle | 1 | 0,141 |
| 13 | 21050909001 | Shift fork | 1 | 0,164 |
| 14 | 21040206301 | Anti-vibration mount | 4 | 0,066 |
| 15 | 21140204701 | Spring | 1 | 0,096 |
| 16 | 21050901031 | Tooth segment | 1 | 0,177 |
| 17 | 21050901011 | Shift shaft | 1 | 0,183 |
| 18 | 21050900131 | Dowel pin | 1 | 0,01 |
| 19 | 01224080351 | Hex Flange Bolt 8x35 | 1 | 0,018 |
| 20 | 21050900901 | Intermediate gear, 30 teeth | 1 | 0,069 |



| | | | | |
|----|-------------|---------------------------|----|-------|
| 21 | 21050900801 | Plain washer 24x8.3x2 | 1 | 0,006 |
| 22 | 21050901300 | Shift drum assembly | 1 | 0,848 |
| | 21050902001 | Thrust washer 31x21.3x1.6 | | 0,005 |
| | 21050902101 | Index washer | | 0,1 |
| 25 | 03344060203 | Allen screw 6x20 | 1 | 0,006 |
| 26 | 01314060203 | Hex screw 6x20 | 1 | 0,007 |
| 27 | 21040203601 | Washer | 1 | 0,004 |
| 28 | 21040203301 | Index spring | 1 | 0,008 |
| 29 | 21050909401 | Index lever | 1 | 0,018 |
| 30 | 21040203401 | Step ring | 1 | 0,003 |
| 31 | 01224060351 | Hex Flange Bolt 6x35 | 11 | 0,009 |
| 32 | 01214060851 | Hex Flange Bolt 6x85 | 2 | 0,017 |
| 33 | 01214080551 | Hex Flange Bolt 8x55 | 5 | 0,022 |
| 34 | 01224060553 | Hex Flange Bolt 6x55 | 15 | 0,013 |
| 35 | 21040105401 | Center pin 8x12 | 4 | 0,004 |
| 36 | 01224060281 | Hex Flange Bolt 6x28 | 2 | 0,008 |
| 37 | 01224080202 | Flanged torx screw 8x20 | 3 | 0,018 |
| 38 | 21050909801 | Gear box plate | 1 | 0,34 |
| 39 | 21040202201 | Gear box plug | 1 | 0,109 |
| 40 | 21040115801 | O-ring 47x2 | 1 | 0,001 |
| 41 | 21040104701 | Copper washer 18x12.4x2 | 1 | 0,002 |
| 42 | 21050904701 | Magnetic drain plug | 1 | 0,019 |

| | | | | | |
|--|----|-------------|---------------------------|---|-------|
| | 43 | 21050905901 | Breathe pipe | 1 | 0,006 |
| | 44 | 21050904401 | O-ring 14x3 | 1 | 0,001 |
| | 45 | 21050904501 | Plug screw 14x15 | 1 | 0,006 |
| | 46 | 21050904211 | O-ring 13x1.9 | 1 | 0,001 |
| | 47 | 21050904201 | Speed sensor | 1 | 0,034 |
| | 48 | 01224060161 | Hex Flange Bolt 6x16 | 4 | 0,005 |
| | 49 | 21040200701 | Oil seal 12x28x7 | 2 | 0,008 |
| | 50 | 21050904011 | O-ring 29x2 | 1 | 0,001 |
| | 51 | 21050904001 | Angle rotation sensor | 1 | 0,035 |
| | 52 | 04633060023 | Hex Flanged elastic nut 6 | 1 | 0,004 |
| | 53 | 21050909701 | Gear shift lever | 1 | 0,079 |

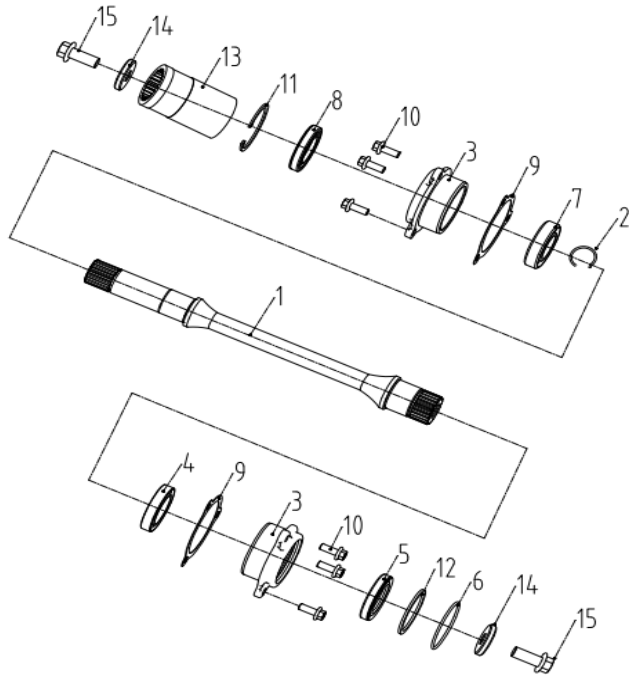
E09. DIAGRAM 2024 AODES GEAR BOX 2 E09



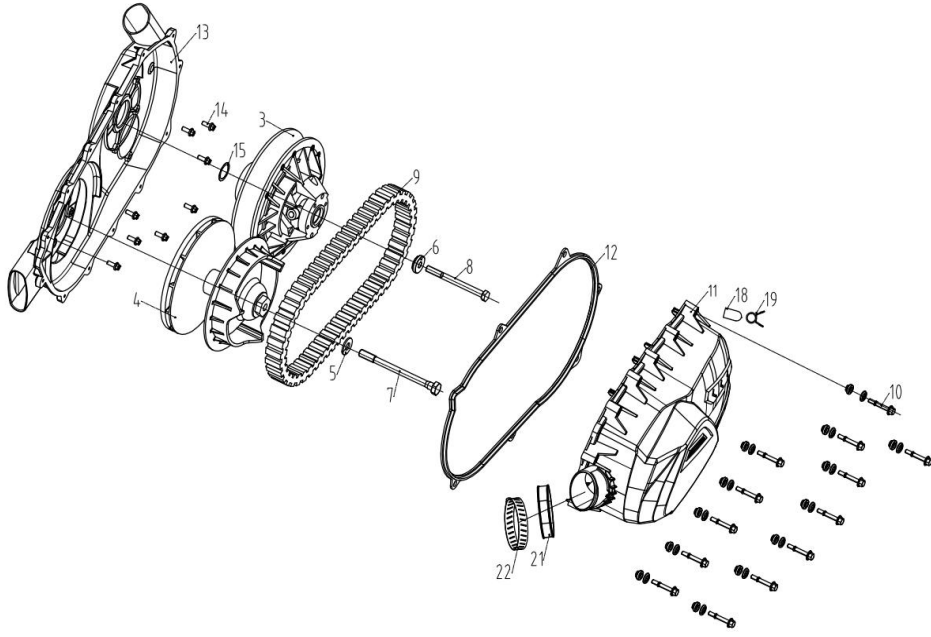
| ITEM # | CODE | ENGLISH NAME | QTY | WEIGHTS (kg) |
|--------|-------------|----------------------------------|-----|--------------|
| 54 | 06224253404 | Thrust Washer | 2 | 0,003 |
| 55 | 21050908001 | Intermediate gear, 19 teeth | 1 | 0,199 |
| 56 | 10031252910 | Bearing-needle K252910 | 1 | 0,008 |
| 57 | 21050907701 | Intermediate gear shaft 25x18x41 | 1 | 0,073 |
| 58 | 21050906201 | Parking lock lever | 1 | 0,055 |
| 59 | 21050906301 | Collar sleeve | 1 | 0,021 |
| 60 | 21050908101 | Main shaft 44 teeth | 1 | 1,171 |
| 61 | 09161006303 | Ball bearing 6303e | 2 | 0,111 |
| 62 | 21050908303 | Gear pinion, 34 teeth | 1 | 0,340909091 |
| 63 | 21050908503 | Shifting sleeve | 1 | 0,45 |
| 64 | 21050908201 | Needle bearing 25x29x12.7 | 3 | 0,006 |
| 65 | 21050908603 | Gear pinion, 44 teeth | 1 | 0,454545455 |
| | 21050908703 | Gear pinion, 36 teeth | | 0,363636364 |
| 67 | 21050909601 | Retaining ring 27 | 3 | 0,003 |
| 68 | 21050908803 | Shifting sleeve | 1 | 0,236363636 |
| 69 | 21040402401 | Wire Harness Mounting Board | 1 | 0,011 |
| 70 | 21050902301 | Main Shaft | 1 | 1,434 |
| 71 | 21040201601 | Distance ring 32x25x11.4 | 1 | 0,026 |
| 72 | 21040201501 | O-ring 24x2 | 1 | 0,001 |
| 73 | 21040201801 | Oil seal 32x47x7 | 1 | 0,014 |
| 74 | 09160006305 | Ball bearing 6305 | 1 | 0,227 |

| | | | | | |
|--|----|-------------|-------------------------|---|-------|
| | 75 | 21040203001 | Bearing Set Plate | 1 | 0,01 |
| | 76 | 09160106204 | Ball bearing 6204 | 1 | 0,106 |
| | 77 | 21050907301 | Gear | 1 | 0,708 |
| | 78 | 21050907321 | Ball bearing 30207 | 1 | 0,348 |
| | 79 | 21050907401 | Shim set 60.3x71.7x1.35 | 1 | 0,01 |
| | 80 | 21050907331 | Gear 45T | 1 | 0,87 |
| | 81 | 21050902903 | ADJUST WASHER | 1 | 0,01 |
| | | 21050902904 | ADJUST WASHER | 1 | 0,002 |
| | 82 | 21050907501 | Roller bearing | 1 | 0,307 |
| | 83 | 21050906111 | Gear Housing Left cover | 1 | 1,2 |
| | 84 | 21050906701 | Distance screw 6 | 1 | 0,005 |

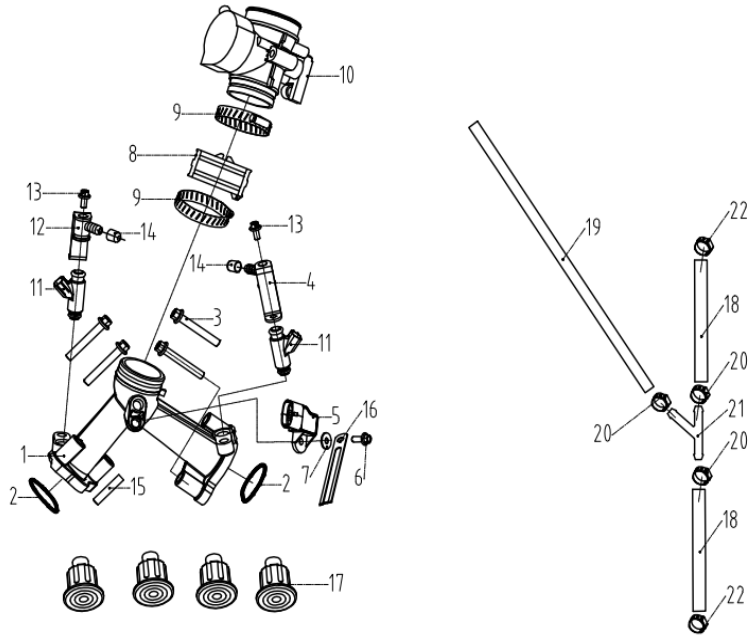
E10. DIAGRAM 2024 AODES DRIVE SHAFT E10



| ITEM # | CODE | ENGLISH NAME | QTY | WEIGHTS (kg) |
|--------|--------------|--|-----|--------------|
| 1 | 21051000101 | Drive Shaft | 1 | 1,038 |
| 2 | 21040206101 | Drive Shaft Check Ring | 1 | 0,001 |
| 3 | 21040115501 | Bearing Base | 2 | 0,074 |
| 4 | 09160061906 | Ball Bearing 6906 | 1 | 0,050 |
| 5 | 21040115701 | Oil Seal $\phi 30 \times \phi 47 \times 7$ | 1 | 0,012 |
| 6 | 21040115801 | O-Ring $\phi 47 \times 2$ | 1 | 0,001 |
| 7 | 09160006005 | Ball Bearing 6005 | 1 | 0,079 |
| 8 | 21040116101 | Oil Seal $\phi 25 \times \phi 47 \times 7$ | 1 | 0,015 |
| 9 | 21040116201 | Gasket | 2 | 0,001 |
| 10 | 01224060161 | Hex Flange Bolt M6X16 | 6 | 0,005 |
| 11 | 07011470001 | C-Clamp $\phi 47$ | 1 | 0,006 |
| 12 | 21040115901 | Seal | 1 | 0,001 |
| 13 | 21040117101 | Transmission Transition Housing | 1 | 0,223 |
| 14 | 060214291235 | Washer $\phi 29.5 \times \phi 12.5 \times 3.5$ | 2 | 0,014 |
| 15 | 21051001501 | Bolt M12X1.25x25 | 2 | 0,039 |

E11. DIAGRAM 2024 AODES CVT TRANSMISSION E11


| ITEM # | CODE | ENGLISH NAME | QTY | WEIGHTS (kg) |
|--------|--------------|--|-----|--------------|
| 3 | 21050805201 | CVT Driven Pulley | 1 | 3,159 |
| 3 | 21050821000 | Secondary Wheel Assembly | 1 | 3,150 |
| 4 | 21050805101 | CVT Drive Pulley | 1 | 3,786 |
| 4 | 21050811004 | CVT Drive Pulley | 1 | 3,870 |
| 5 | 060214291235 | Washer $\phi 29.5 \times \phi 12.5 \times 3.5$ | 1 | 0,014 |
| 6 | 21040303501 | Spacer Shim, $\phi 30.1 \times \phi 10.2 \times 8.5$ | 1 | 0,036 |
| 7 | 21040303702 | CVT Drive Pulley Bolt M12x150 | 1 | 0,115 |
| 8 | 21040301902 | Driven Wheel Bolt M10x115 | 1 | 0,077 |
| 9 | 21050831000 | V-Belt | 1 | 0,483 |
| 9 | 21050831001 | V-Belt | 1 | 0,483 |
| 10 | 21170101901 | Hex Distance Screw M6X42.5 | 13 | 0,100 |
| 11 | 21050804302 | Pulley Cover | 1 | 0,639 |
| 12 | 21050800702 | Pulley Cover Gasket | 1 | 0,087 |
| 13 | 21050800102 | CVT Deflector | 1 | 0,930 |
| 14 | 01314060203 | Hex Big Flange Bolt M6x20 | 9 | 0,007 |
| 15 | 21040303601 | Spacer Shim, $\phi 32 \times \phi 25.1 \times 0.5$ | 1 | 0,001 |
| 18 | 21050804601 | Drain Plug | 1 | 0,001 |
| 19 | 21050804701 | Drain Plug Clip | 1 | 0,001 |
| 20 | 21051101201 | Clamp $\phi 60-80$ | 1 | 0,022 |
| 21 | 21170102201 | CVT Outlet Sealing Boot | 1 | 0,077 |

E12. DIAGRAM 2024 AODES INTAKE MANFOLD&THROTTLE E12


| ITEM # | CODE | ENGLISH NAME | QTY | WEIGHTS (kg) |
|--------|-------------|-----------------------------|-----|--------------|
| 1 | 21051100301 | Air Intake Manifold | 1 | 0,277 |
| 2 | 21040114501 | Gasket | 2 | 0,002 |
| 3 | 01214080551 | Hex Flange Bolt M8x55 | 4 | 0,022 |
| 4 | 21170103001 | Injection Valve Cap | 1 | 0,055 |
| 5 | 21040114601 | Pressure And Temp Sensor | 1 | 0,026 |
| 6 | 01224060161 | Hex Flange Bolt M6X16 | 1 | 0,005 |
| 7 | 06222061704 | Washer φ6×17 | 1 | 0,002 |
| 8 | 21051400501 | Intake Neck | 1 | 0,237 |
| 9 | 21051101201 | Clamp φ60-80 | 2 | 0,022 |
| 10 | 21051101302 | Throttle Body | 1 | 0,648 |
| 11 | 21040114901 | Fuel Injector | 2 | 0,033 |
| 12 | 21040115103 | Injection Valve Cap | 1 | 0,055 |
| 13 | 01224060121 | Hex Flange Bolt M6X12 | 2 | 0,005 |
| 14 | 21040114911 | Fuel Injector Cap | 2 | 0,001 |
| 15 | 21051100311 | Bolt Spacer | 4 | 0,008 |
| 16 | 21040402401 | Wire Harness Mounting Board | 1 | 0,011 |
| 17 | 21040206301 | Anti-Vibration Mount | 4 | 0,066 |
| 18 | 21170103801 | Fule Hose L=90mm | 2 | 0,066 |
| 19 | 21170104001 | Fule Hose L=470mm | 1 | 0,066 |
| 20 | 21170104901 | Hose Clampφ15.7 | 3 | 0,066 |
| 21 | 21170102801 | Y Type Copper Tee | 1 | 0,066 |



| | | | | | |
|--|----|-------------|-------------------|---|-------|
| | 22 | 21170104101 | Hose Clamp 14.8mm | 2 | 0,066 |
|--|----|-------------|-------------------|---|-------|

E13. DIAGRAM 2024 AODES TOOL KITS E13


| ITEM # | CODE | ENGLISH NAME | QTY | WEIGHTS (kg) |
|--------|-------------|---|-----|--------------|
| 1 | 2104040000 | Diagnostic Tool-Delphi | 1 | 0,305 |
| 2 | 2104040001 | Diagnostic Tool (Write Program)-Delphi | 1 | 0,305 |
| 3 | 90101010640 | Flywheel Puller | 1 | 0,225 |
| | 90101010750 | Flywheel Puller Rod | 1 | 0,102 |
| | 90101010650 | Crankshaft Protector | 1 | 0,180 |
| 4 | 90103050079 | Retaining tool | 1 | 0,663 |
| 5 | 90801011846 | Retaining tool | 1 | 0,528 |
| 6 | 90101010540 | Drive Wheel Puller | 1 | 0,316 |
| 7 | 90101010960 | Driven Wheel Puller | 1 | 0,108 |
| 8 | 90801010527 | Water Seal Tool Support Plate | 1 | 0,404 |
| | 90801010529 | Bolt M20 | 1 | 0,169 |
| | 90801010528 | Water Seal Tool Base | 1 | 0,289 |
| | 90801010496 | Water Seal Installation Shaft | 1 | 0,146 |
| | 90801010497 | Water Seal Installation Base | 1 | 0,198 |
| | 90801010526 | Water Seal Press Tool Support Column | 4 | 0,096 |
| | 09160006202 | Bearing 6202 | 1 | 0,089 |