



# WORKCROSS 1000-3

## MODEL YEAR 2024

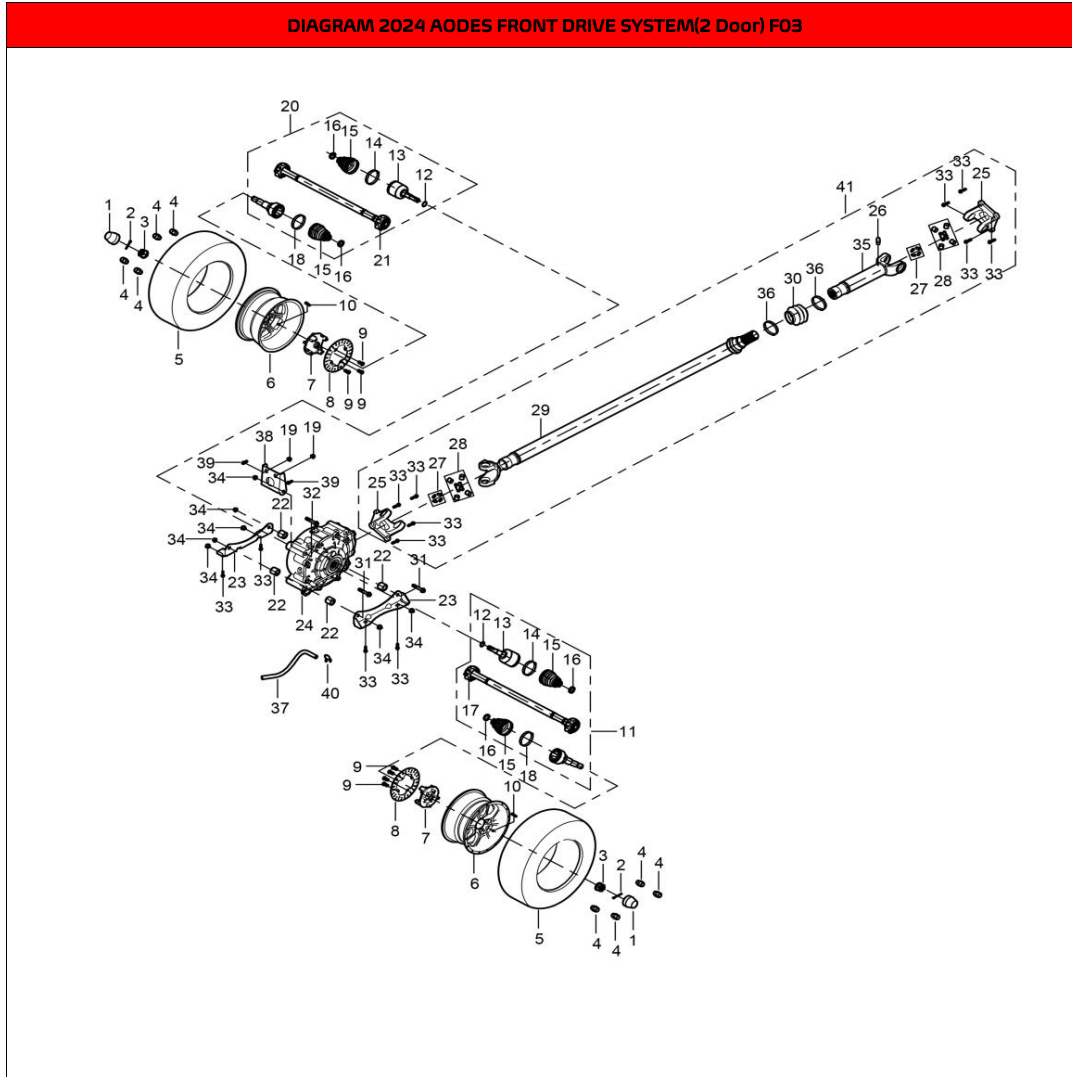


DIAGRAM 2024 AODES FRONT SUSPENSION SYSTEM F01		ITEM#	CODE	ENGLISH NAME	QTY	WEIGHTS (kg)
		1	16701010140	Front Airbag Shock Absorber ( 2 Door)	2	5,2
		2	16801070000	RH Upper Front Suspension Arm	1	3,1
		3	16801060000	LH Upper Front Suspension Arm	1	3,1
		4	16801090000	RH Lower Front Suspension Arm	1	2,5
		5	16801080000	LH Lower Front Suspension Arm	1	2,5
		6	14605220000	Steering Knuckle Assy, Passenger Side	1	3,2
		7	14605210000	Steering Knuckle Assy, Driver Side	1	3,2
		8	16801080070	Front Arm Guard (Driver Side)	1	0,072
		9	16801090070	Front Arm Guard (Passenger Side)	1	0,072
		10	10401190000	Ball Joint $\phi$ 34	2	0,25
		11	10401180000	Ball Joint $\phi$ 32	2	0,25
		12	07031320004	Snap Ring $\phi$ 32	2	0,004
		13	07031340004	Snap Ring $\phi$ 34	2	0,004
		14	09560306342	Bearing Dac306342	2	0,55
		15	07011630004	Snap Clip $\phi$ 63	2	0,01
		16	04724120026	Castle Nut M12X1.25	4	0,016
		17	05011250255	Cotter Pin $\phi$ 2.5X25	4	0,001
		18	03414060124	Inner Hexagonalobular Socket Pan Head Screw M6x12 (Black)	4	0,006
		19	10901070090	Grease Zerk(White)	10	0,002
		20	01256120806	Hex Flange Bolt M12x80x1.25	8	0,085
		21	13601070030	A-Arm Nylon Sleeve Cover	16	0,007
		22	10401070020	A-Arm Nylon Sleeve	16	0,01
		23	16801070010	A-Arm Inner Sleeve	8	0,04

DIAGRAM 2024 AODES FRONT SUSPENSION SYSTEM F01		ITEM#	CODE	ENGLISH NAME	QTY	WEIGHTS (kg)	
		24	01256100656	Hex Flange Bolt M10x1.5x25	2	0,062	
		25	04622100026	Heagon Flange Locking Nut M10X1.25	4	0,013	
		26	16801210020	Front Stabilizer Bar	1	3,1	
		27	04622120026	Hex Flange Locking Nut M12X1.25	12	0,022	
		28	14301210050	Sway Bar Pull Rod, Passenger Side	1	0,24	
		29	14301210010	Sway Bar Pull Rod, Driver Side	1	0,24	
		30	16801210030	Stabilizer Bar Clamp	2	0,01	
		31	16801210080	Stabilizer Bar Support Plate	2	0,004	
		32	17001210040	Sway Bar Cusion	2	0,001	
		33	01224080206	Hex Flange Bolt M8x20	4	0,033	
		34	01256100556	Hex Flange Bolt M10X55X1.25	2	0,044	
		35	16701010130	Front Regular Shock Absorber ( 2 Door)	2	5,4	
		36					
		37					
		38					
		39					
		40					
		41					
		42					
		43					
		44					
		45					

DIAGRAM 2024 AODES REAR SUSPENSION SYSTEM F02		ITEM#	CODE	ENGLISH NAME	QTY	WEIGHTS (kg)
		1	16701020160	Rear Airbag Shock Absorber, Passenger Side ( 2 Door)	1	5,9
		2	16701020140	Rear Airbag Shock Absorber, Driver Side ( 2 Door)	1	5,9
		3	16801110020	RH Upper Rear Suspension Arm	1	2,4
		4	16801100020	LH Upper Rear Suspension Arm	1	2,4
		5	13601070030	A-Arm Nylon Sleeve Cover	16	0,007
		6	10401070020	A-Arm Nylon Sleeve	16	0,006
		7	16801070010	A-Arm Inner Sleeve	8	0,04
		8	16601200050	Knuckle Assy, Driver Side	1	2,8
		9	16601200060	Knuckle Assy, Passenger Side	1	2,8
		10	07011630004	Snap Clip $\phi$ 63	2	0,01
		11	16801120030	RH Lower Rear Suspension Arm	1	3,6
		12	16801120030	RH Lower Rear Suspension Arm	1	3,6
		13	10101210050	Sway Bar Pull Rod, Passenger Side	1	0,24
		14	10101210010	Sway Bar Pull Rod, Driver Side	1	0,24
		15	16801210060	Rear Stabilizer Bar	1	2,724
		16	01256121256	Hex Flange Bolt M12X125X1.25	4	0,276
		17	04622120026	Hex Flange Locking Nut M12X1.25	12	0,022
		18	01256120806	Hex Flange Bolt M12x80x1.25	8	0,085
		19	01256100556	Hex Flange Bolt M10X55X1.25	4	0,044
		20	04622100026	Hexagon Flange Locking Nut M10X1.25	4	0,013
		21	01224080206	Hex Flange Bolt M8x20	4	0,033

DIAGRAM 2024 AODES REAR SUSPENSION SYSTEM F02		ITEM#	CODE	ENGLISH NAME	QTY	WEIGHTS (kg)	
		22	10901070090	Grease Zerk(White)	10	0,002	
		23	16801210030	Stabilizer Bar Clamp	2	0,01	
		24	17001210040	Sway Bar Cushion	2	0,001	
		25	16801210080	Stabilizer Bar Support Plate	2	0,004	
		26	09560306342	Bearing Dac306342	2	0,55	
		27	16701020020	Rear Regular Shock Absorber ( 2 Door)	2	7,8	
		28					
		29					
		30					
		31					
		32					
		33					
		34					
		35					
		36					
		37					
		38					
		39					
		40					
		41					



ITEM#	CODE	ENGLISH NAME	QTY	WEIGHTS (kg)
1	17005230020	Wheel Dust-Proof Cover	2	0,033
2	05011400405	Cotter Pin $\phi 4.0 \times 40$	2	0,007
3	04812220022	Slotted Flange Nut M22x1.5	2	0,067
4	04322120021	Acorn Nut M12x1.25, Wheel	8	0,058
5	13605030530	Front Tire 26X9-14	2	11,41
6	16805030400	Front Rim 14X7	2	5,524
7	15101030000	Front Wheel-Hub	2	2,78
8	15106010020	Front Brake Disc	2	1,152
9	01826080205	Allen T Type Bolt M8X20	8	0,007
10	10405230030	Air Valve	2	0,009
11	16801220000	Front C.V. Shaft, Driver Side	1	4,3
12	16801220070	Snap Roll $\phi 25$	2	0,001
13	16801220110	Mobile Universal Joint (Front Half Shaft)	2	0,98
14	16801220170	Hose Clamp $\phi 75.5$	2	0,05
15	16801220120	Dust Cover (Front C.V. Shaft)	4	0,045
16	16801220150	Hose Clamp $\phi 28.5$	4	0,018
17	16801220130	Intermediate Shaft(Fh,Lh)	1	1,7
18	16801220160	Hose Clamp $\phi 74$	2	0,05
19	04612080026	Hex Flange Locking Nut M8	2	4,486
20	16801230000	Front C.V. Shaft, Passenger Side	1	4,3
21	16801230130	Intermediate Shaft(Fh,Rh)	1	1,7
22	17705100140	Steering Gear Bushing	4	0,032
23	16808810000	Front Axle Lower Mounting Plate	2	0,222

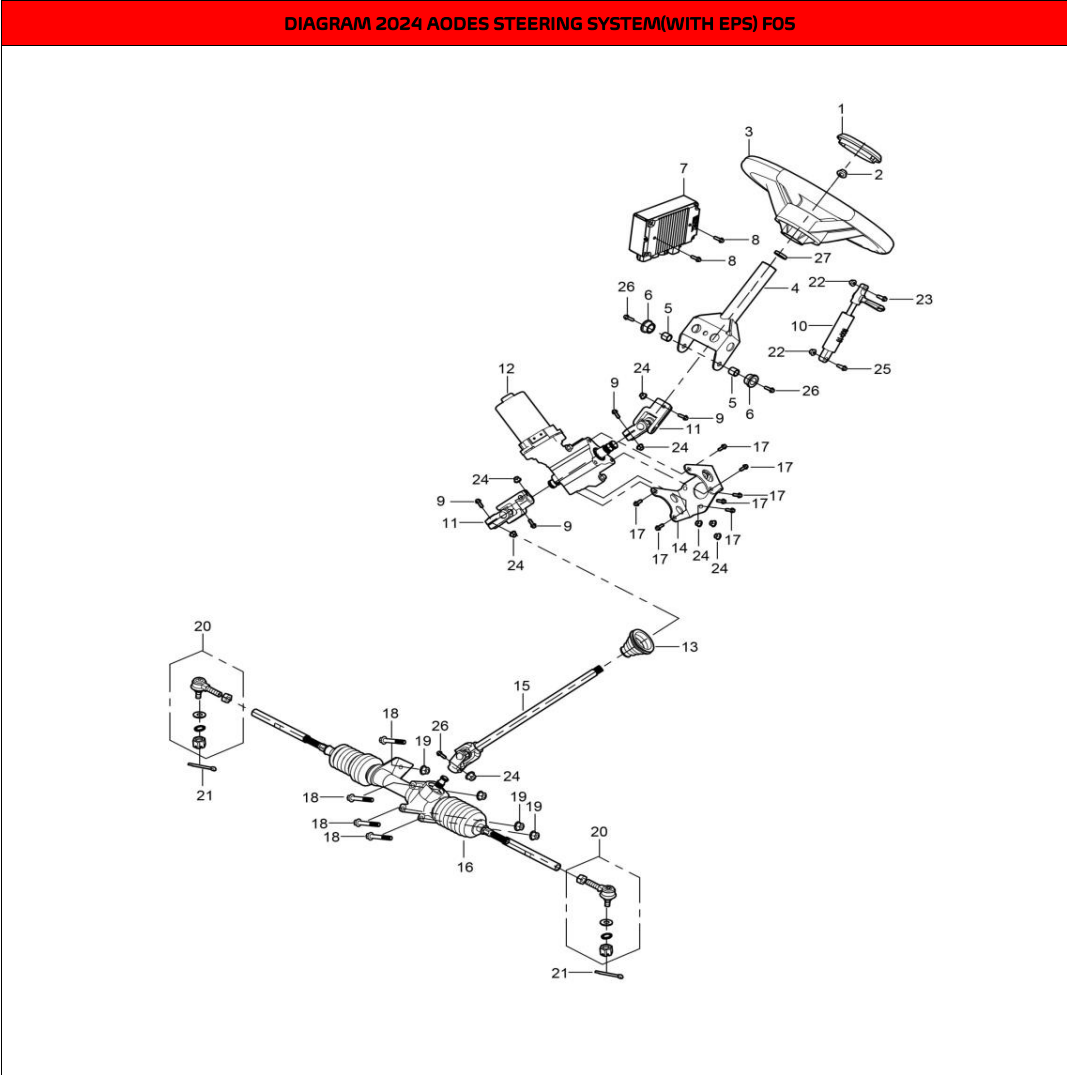
DIAGRAM 2024 AODES FRONT DRIVE SYSTEM(2 Door) F03		ITEM#	CODE	ENGLISH NAME	QTY	WEIGHTS (kg)	
		24	16803100000	Front Differential Assy	1	11	
		25	16803110060	Driveshaft Flange	2	0,025	
		26	10901070090	Grease Zerk(White)	1	0,022	
		27	07011250004	C-Clamp φ25	2	0,001	
		28	17003130120	Cross Fork Shaft (Assy)	2	2,64	
		29	16703110090	Front Driveshaft Section	1	5,073	
		30	16803110030	Driveshaft Boot	1	0,001	
		31	01256101256	Hex Flange Bolt M10X125X1.25	2	0,09	
		32	01256100956	Hex Flange Bolt M10X95X1.25	1	0,062	
		33	01256100206	Hex Flange Bolt M10x20x1.25	10	0,022	
		34	04622100026	Heagon Flange Locking Nut M10X1.25	9	0,013	
		35	16803110070	Driveshaft Adjustment Joint Fork	1	0,587	
		36	16803110080	Hose Clamp φ41x7x0.6	2	0,05	
		37	16803100920	Front Axle Vent Pipe (L=500mm)	1	0,01	
		38	16808250100	Front Axle Upper Mounting Plate	1	0,156	
		39	01224080206	Hex Flange Bolt M8x20	2	0,015	
		40	11904070030	Spring Hose Clip φ8	1	0,001	
		41	16703110000	Front Transmission Shaft	1	10,5	
		42					
		43					
		44					
		45					
		46					



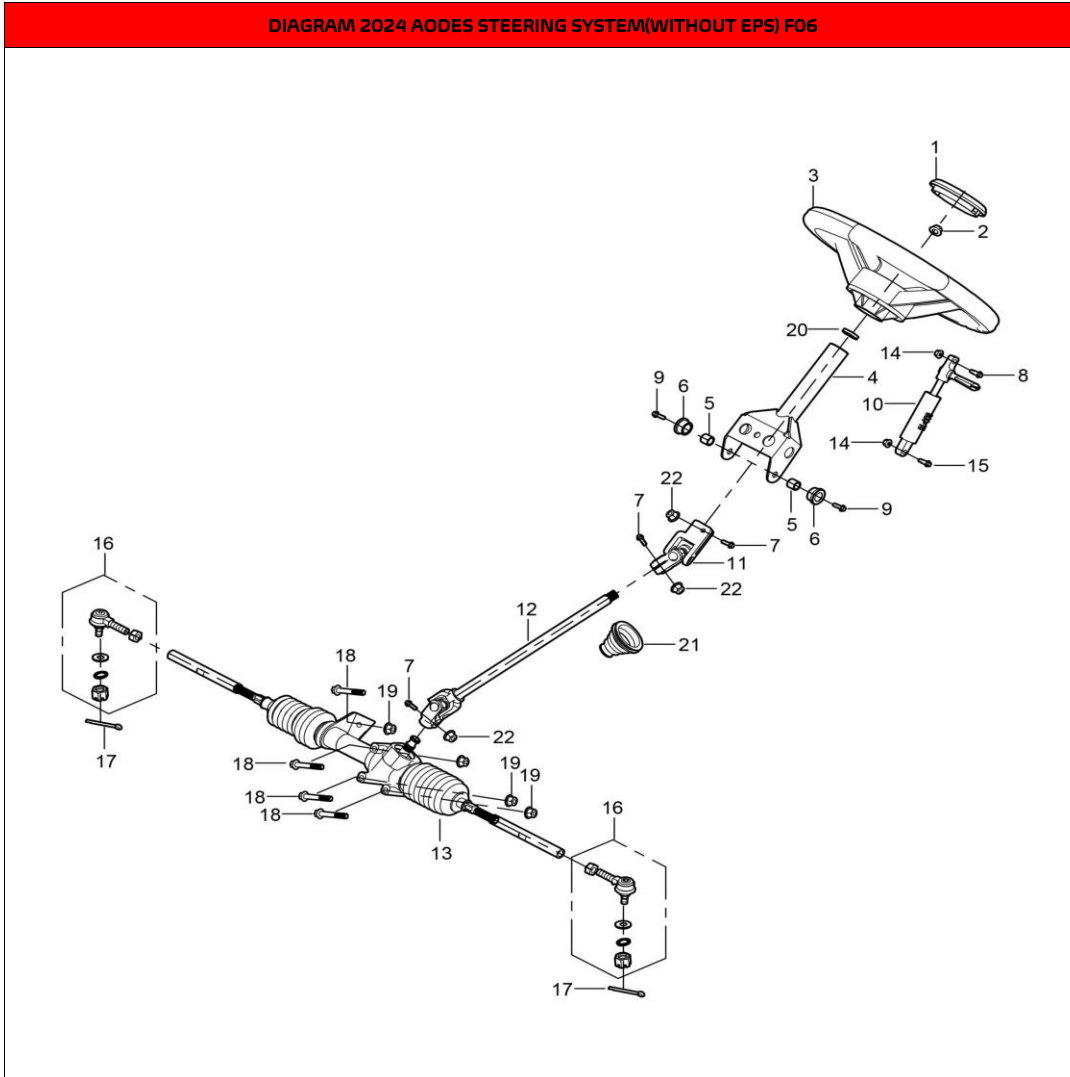
DIAGRAM 2024 AODES REAR DRIVE SYSTEM F04		ITEM#	CODE	ENGLISH NAME	QTY	WEIGHTS (kg)
		1	17005230020	Wheel Dust-Proof Cover	2	0,077
		2	05011400405	Cotter Pin $\phi$ 4.0X40	2	0,007
		3	04322120021	Acorn Nut M12x1.25, Wheel	8	0,146
		4	04812224022	Slotted Flange Nut M24X1.5	2	0,207
		5	14605310010	Rear Tire 27X11-14 (SI306)	2	13,794
		6	10405230030	Air Valve	2	0,02
		7	16805040260	Rear Rim 14X8	2	5,996
		8	15101040000	Rear Wheel-Hub	2	4,29
		9	17006010340	Rear Brake Disc, Driver Side	1	2,11
		10	01826080205	Allen T Type Bolt M8X20	8	0,015
		11	17006010350	Rear Brake Disc, Passenger Side	1	1,177
		12	15101250010	Front Butterfly Washer	2	0,036
		13	16801240180	Hose Clamp $\phi$ 82.1	4	0,05
		14	16801200050	Dust-Proof Sleeve (Rear C.V Shaft) C2683-001	4	0,099
		15	16801240190	Hose Clamp $\phi$ 27.3	4	0,02
		16	16801240010	Rear Half Shaft Intermediate Shaft (Driver Side)	1	2
		17	16801250010	Rear Half Shaft Intermediate Shaft (Passenger Side)	1	1,8
		18	16801250000	Rear Half Shaft (Passenger Side)	1	5,7
		19	16801240040	Movable Universal Joint(Rear Shaft)	2	1,67
		20	16810240110	Snap Roll 18 $\phi$ 27	2	0,01
		21	16801240000	Rear Half Shaft (Driver Side)	1	5,8
		22				
		23				



DIAGRAM 2024 AODES STEERING SYSTEM(WITH EPS) FOS		ITEM#	CODE	ENGLISH NAME	QTY	WEIGHTS (kg)
		1	16805090000	Steering Wheel Center Cap	1	0,014
		2	04622120026	Hex Flange Locking Nut M12X1.25	1	0,022
		3	16805090080	Steering Wheel	1	1,8
		4	16805060000	Steering Column	1	1,606
		5	13205050070	Steering Inner Bush	2	0,005
		6	13205050060	Steering Nylon Sleeve	2	0,002
		7	16805270050	EPSController	1	0,819
		8	01254060166	Hex Flange Bolt M6x16	2	0,013
		9	01224080356	Hex Flange Bolt M8x35	5	0,015
		10	16805050100	Steering Column Gas Spring	1	0,3
		11	16805270020	Universal Joint	2	0,339
		12	16805270010	Electric Power Steering	1	9,88
		13	16805070030	Tie Rod Bellows	1	0,017
		14	16805270060	Power Steering Mounting Plate	1	0,36
		15	16805070000	Tie Rod (Power Steering)	1	0,869
		16	16805100000	Redirector Assy	1	4,9
		17	01224080206	Hex Flange Bolt M8x20	7	0,011
		18	01256100956	Hex Flange Bolt M10X95X1.25	4	0,062
		19	04622100026	Heagon Flange Locking Nut M10X1.25	4	0,103
		20	10905100081	Steering Tie Rod Ball Joint	2	0,3
		21	05011320255	Cotter Pin φ3.2X25	2	0,02
		22	04612060026	Hex Flange Locking Nut M6	2	0,004
		23	01824060126	T Bolt M6X12	1	0,014



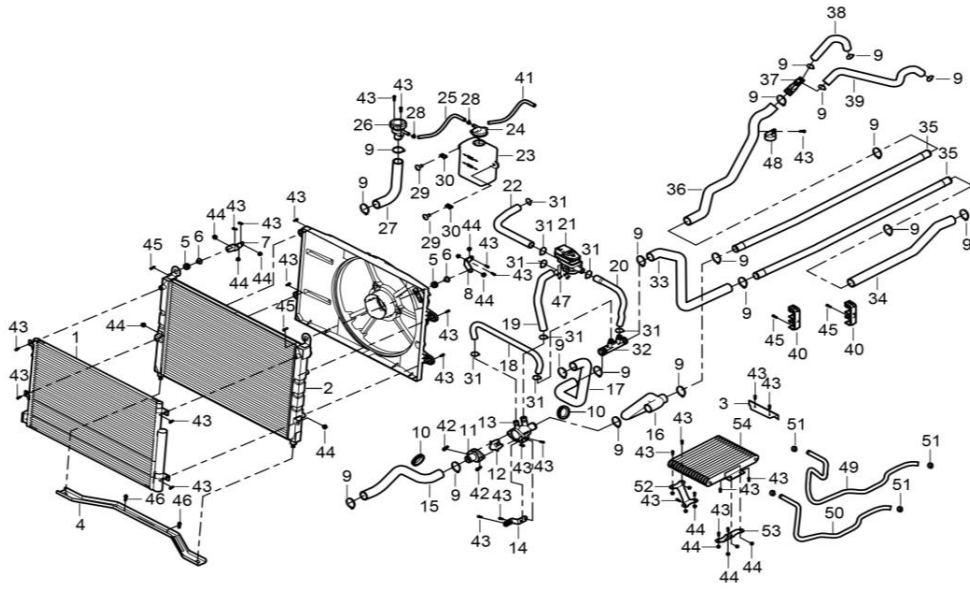
ITEM#	CODE	ENGLISH NAME	QTY	WEIGHTS (kg)
24	04612080026	Hex Flange Locking Nut M8	6	0,009
25	01824061206	Hexagonal Flange Step Bolt φ8×15-M6×12	1	0,018
26	01224080256	Hex Flange Bolt M8×25	2	0,015
27	16805050010	Steering Column Bushing	1	0,005
28				
29				
30				
31				
32				
33				
34				
35				
36				
37				
38				
39				
40				
41				
42				
43				
44				
45				
46				



ITEM#	CODE	ENGLISH NAME	QTY	WEIGHTS (kg)
1	16805090000	Steering Wheel Center Cap	1	0,014
2	04622120026	Hex Flange Locking Nut M12X1.25	1	0,022
3	16805090080	Steering Wheel	1	1,8
4	16805060000	Steering Column	1	1,606
5	13205050070	Steering Inner Bush	2	0,005
6	13205050060	Steering Nylon Sleeve	2	0,002
7	01224080356	Hex Flange Bolt M8x35	5	0,015
8	01824060126	T Bolt M6X12	1	0,014
9	01224080256	Hex Flange Bolt M8x25	2	0,015
10	16805050100	Steering Column Gas Spring	1	0,3
11	16805270020	Universal Joint	1	0,5
12	16705070000	Tie Rod (Non-Power Steering)	1	1,4
13	16805100000	Redirector Assy	1	4,9
14	04612060026	Hex Flange Locking Nut M6	2	0,004
15	01824061206	Hexagonal Flange Step Bolt φ8×15-M6×12	1	0,018
16	10905100081	Steering Tie Rod Ball Joint	2	0,3
17	05011320255	Cotter Pin φ3.2X25	2	0,02
18	01256100956	Hex Flange Bolt M10X95X1.25	4	0,062
19	04622100026	Heagon Flange Locking Nut M10X1.25	4	0,04
20	16805050010	Steering Column Bushing	1	0,062
21	16805070030	Tie Rod Bellows	1	0,017
22				
23				

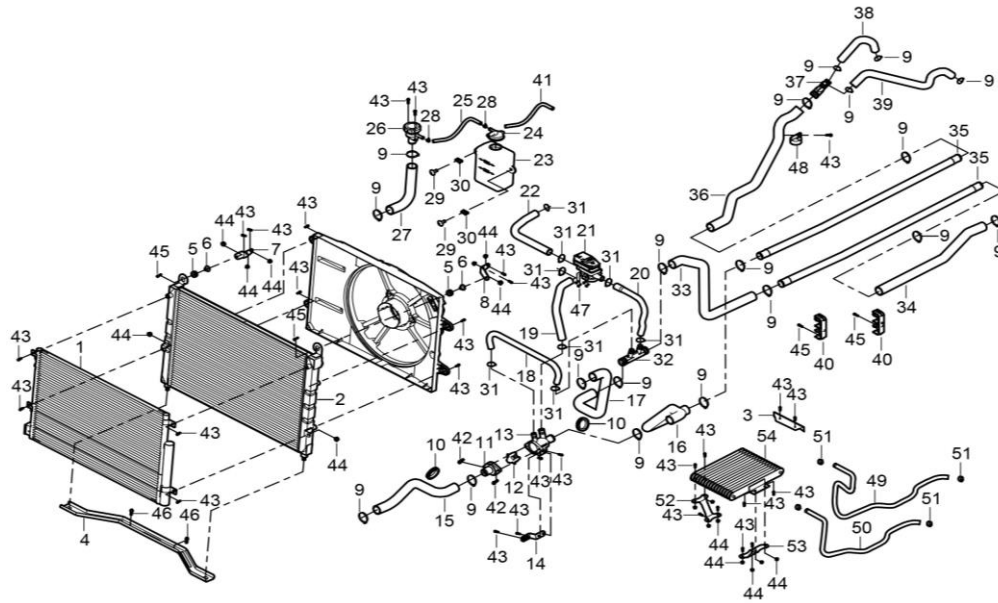
DIAGRAM 2024 AODES FUEL SYSTEM F07		ITEM#	CODE	ENGLISH NAME	QTY	WEIGHTS (kg)
		1	16804010000	Fuel Tank	1	5,323
		2	16804080000	Fuel Pump	1	1,854
		3	16804010190	Fuel Pump Top Cover	1	0,078
		4	16804010250	Fuel Tank Clamp (Front)	1	0,691
		5	16804010260	Fuel Tank Clamp (Rear)	1	0,61
		6	17004020000	Tank Cap	1	0,069
		7	17112010200	Hose Clamp 14.8mm	8	0,003
		8	16804060030	Fuel Filter Rubber Sleeve	1	0,048
		9	13204040540	Fuel Hose Protection Spring $\phi 17$ L=300mm	1	0,06
		10	17104060000	Fuel Filter	1	0,065
		11	21170102801	Y Type Copper Tee	1	0,066
		12	17001040610	Fuel Hose	2	0,01
		13	10404040501	Fuel Hose $\phi 7.5 \times \phi 14.5$ L=1000mm	1	0,07
		14	10404040501	Fuel Hose $\phi 7.5 \times \phi 14.5$ L=1000mm	1	0,07
		15	17304040600	Oil Pipe (One Cylinder-Y-shaped Tee L=110mm)	1	0,07
		16	10404040501	Fuel Hose $\phi 7.5 \times \phi 14.5$ L=1000mm	1	0,07
		17	01254060166	Hex Flange Bolt M6x16	1	0,005
		18	04512060127	Rivet Nut M6	1	0,007
		19	16804010210	Fuel Tank Cushion	3	0,001
		20	168040400650	Oil Pipe Connector (90°)	1	0,05
		21	16804060010	Fuel Filter Mounting Plate	1	0,051
		22	04612080026	Hex Flange Locking Nut M8	2	0,009
		23	01214080255	Hex Flange Bolt M8X25	2	0,01

DIAGRAM 2024 AODES COOLING SYSTEM(2 Door) F08		ITEM#	CODE	ENGLISH NAME	QTY	WEIGHTS (kg)
		1	16814250300	Cooling Module (Condenser)	1	1
		2	21140402401	Radiator Fan Assembly	1	5,2
		3	16812020060	Oil Cooler Windshield	1	0,1
		4	16812030050	Radiator Lower Mounting Plate	1	0,52
		5	17012030080	Radiator Upper Mounting Rubber Sleeve	2	0,002
		6	17012030090	Radiator Upper Mounting Inner Sleeve	2	0,007
		7	16812030070	Radiator Upper Mounting Plate (Passenger Side)	1	0,03
		8	16812030060	Radiator Upper Mounting Plate (Driver Side)	1	0,03
		9	17012070000	Clamp $\phi 20-\phi 32$	17	0,016
		10	17012050170	Water Pipe Spacer Bush	2	0,008
		11	16612090090	Thermostat Upper Cover	1	0,032
		12	21140401601	Thermostat Element	1	0,03
		13	16812090080	Thermostat Body (Single-channel)	1	0,064
		14	16812090050	Thermostat Mounting Plate	1	0,5
		15	16812050010	Radiator Outlet Pipe 1 (Radiator-Thermostat)	1	0,15
		16	16810250160	Radiator Outlet Pipe 2 (Thermostat-Aluminum Pipe)	1	0,25
		17	16812050020	Radiator Inlet Pipe 1 (Radiator-Four-Way)	1	0,19
		18	16812050210	Four-Way Outlet Pipe (Four-Way-Thermostat)	1	0,078
		19	16812050150	Thermostat Outlet Pipe (Thermostat-Evaporator)	1	0,08
		20	16812050230	Electric Water Valve Inlet Pipe (Four-Way-Electric Water Valve)	1	0,06
		21	16514250500	Electric Water Valve	1	0,22
		22	16812050140	Electric Water Valve Outlet Pipe (Electric Water Valve-Evaporator)	1	0,08
		23	16812040000	Auxiliary Water Tank	1	0,13

**DIAGRAM 2024 AODES COOLING SYSTEM(2 Door) F08**


ITEM#	CODE	ENGLISH NAME	QTY	WEIGHTS (kg)
24	16812040030	Auxiliary Water Tank Cover	1	0,008
25	16812040070	Auxiliary Coolant Tank Connecting Pipe L=90	1	0,019
26	21040400913	Radiator Cap	1	0,072
27	16812050050	Water Inlet Pipe	1	0,1
28	11904070040	Spring Hose Clip $\phi$ 10	2	0,002
29	03414060164	Inner Hexalobular Socket Pan Head Screws M6X16	2	0,009
30	04922060025	Plate Nut (Long) M6	2	0,002
31	21040401601	Clamp $\phi$ 12-22	8	0,012
32	16612050190	$\Pi$ -Junction	1	0,04
32	16812050190	Four-Way Connector ( $\pi$ -shaped Base)	1	0,04
33	16812050030	Radiator Inlet Pipe 2 (Four-Way-Aluminum Pipe)	1	0,27
34	16812050040	Engine Inlet Pipe (Aluminum Pipe-Engine)	1	0,21
35	16712050240	Connecting Aluminum Pipe (2 Door)	2	0,53
36	16812050110	Engine Outlet Pipe 1 (Aluminum Pipe-Y-shaped Tee Engine End)	1	0,26
37	16612050420	Y-Junction	1	0,02
38	16812050070	Cylinder Outlet Pipe (Y-shaped-first Cylinder)	1	0,04
39	16812050130	Cylinder Outlet Pipe (Y-shaped-second Cylinders)	1	0,12
40	16812050090	Aluminum Pipe Clamp	4	0,02
41	16812040080	Auxiliary Coolant Tank Vent Pipe	1	0,002
42	03344060165	Hexagon Socket Head Cap Bolt	2	0,013
43	01254060166	Hex Flange Bolt M6x16	19	0,013
44	04612060026	Hex Flange Locking Nut M6	8	0,004
45	01254060256	Hex Flange Bolt M6x25	6	0,01
46	01224080166	Hex Flange Bolt M8x16	2	0,013

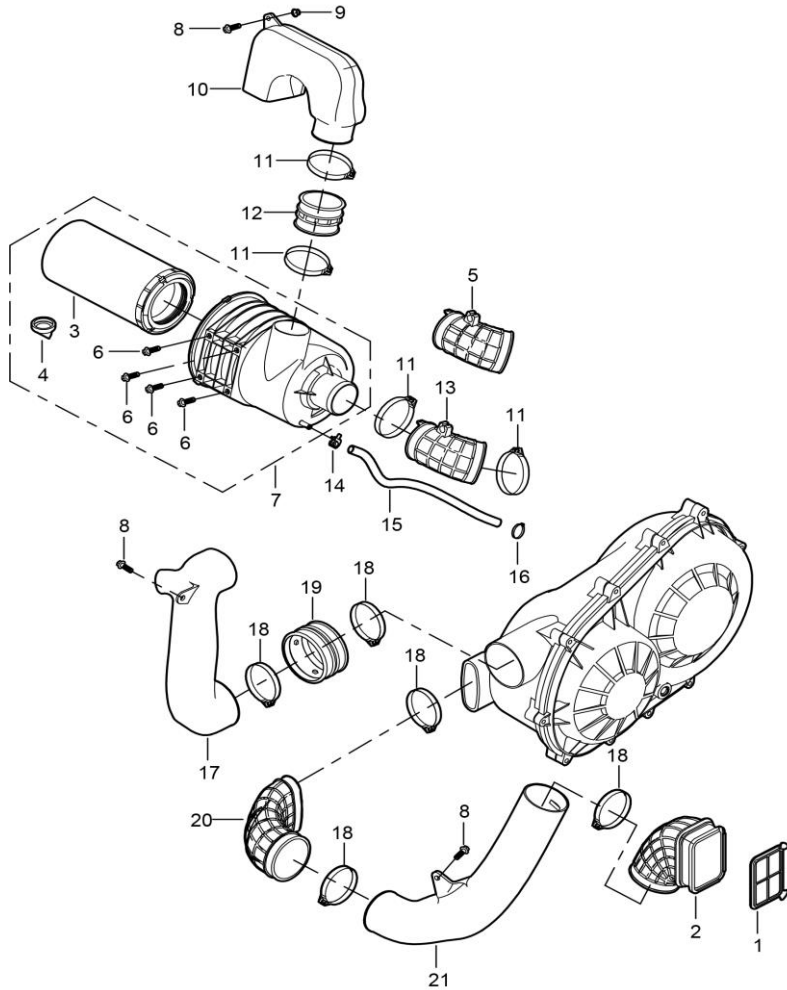
DIAGRAM 2024 AODES COOLING SYSTEM(2 Door) F08



ITEM#	CODE	ENGLISH NAME	QTY	WEIGHTS (kg)
47	03714350205	Tapping Screws ST3.5x20	4	0,002
48	14712050430	Clip φ33	1	0,025
49	21140401001	Oil Cooler Tube	1	0,5
50	21140400901	Oil Cooler Pipe (With Joint)	1	0,8
51	21040409401	Hose Clamp φ18.5	4	0,001
52	16812010160	Oil Cooler Mounting Plate (Passenger Side)	1	0,01
53	16812010150	Oil Cooler Mounting Plate (Driver Side)	1	0,01
54	21040400916	Oil Cooler	1	0,4
55				
56				
57				
58				
59				
60				
61				
62				
63				
64				
65				
66				
67				
68				
69				

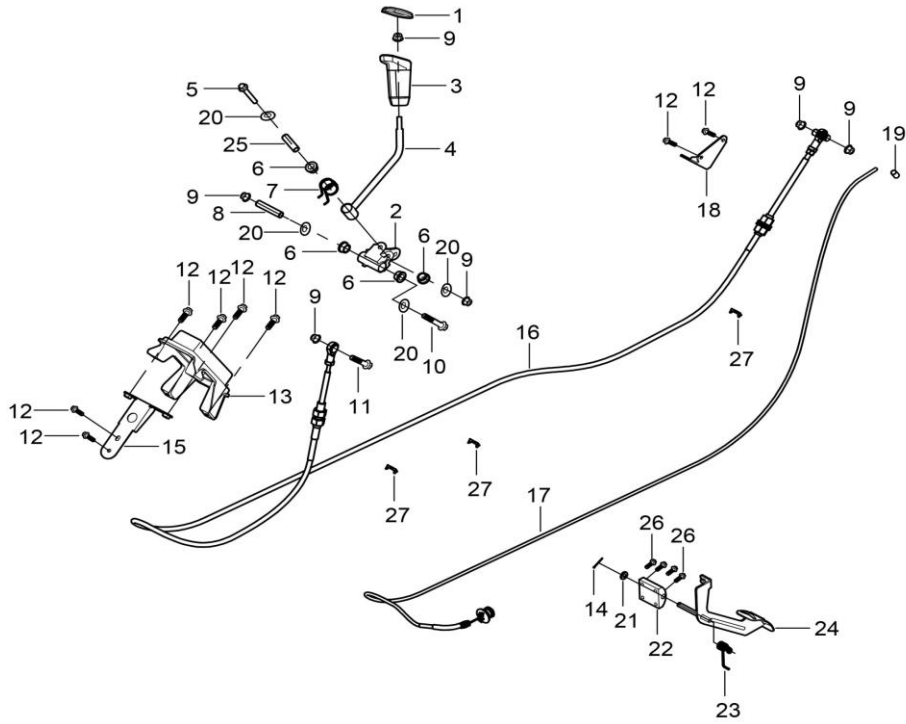


DIAGRAM 2024 AODES AIR FILTER & CVT INLET&OUTLET SYSTEM F09



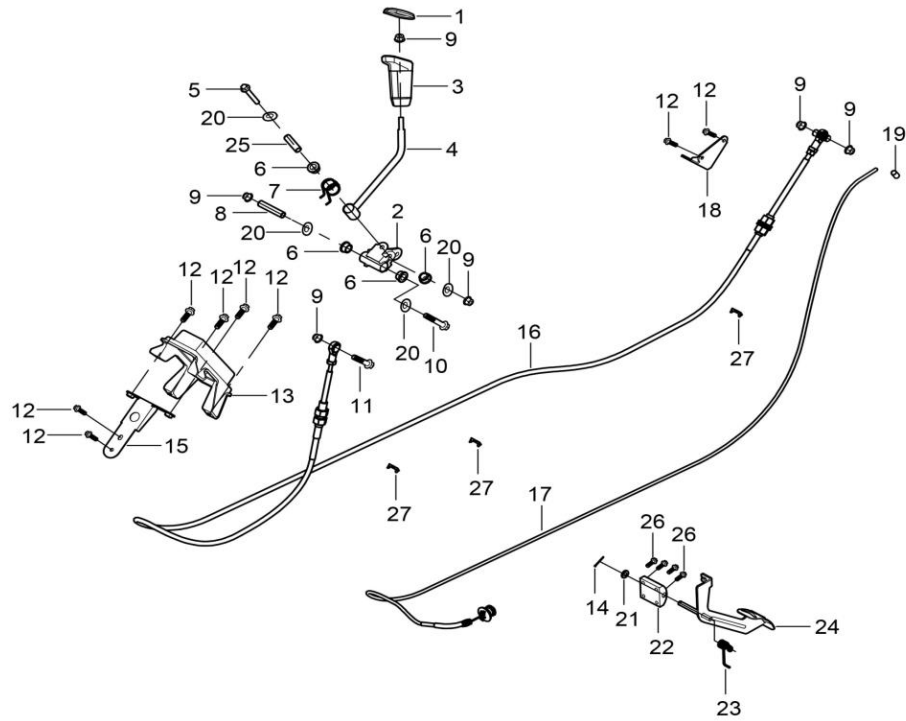
ITEM#	CODE	ENGLISH NAME	QTY	WEIGHTS (kg)
1	16807030270	CVT Air Inlet Pipe Filter	1	0,012
2	16807030260	CVT Air Inlet Boot	1	0,198
3	21140402341	Air Filter	1	0,4
4	21140402361	Air Filter Drain Sleeve	1	0,009
5	21040118101	Air Filter 800cc Air Intake Pipe 1	1	0,13
5	21040118001	Air Filter 800cc Air Intake Pipe 2	1	0,13
6	01224080166	Hex Flange Bolt M8x16	4	0,013
7	21140402301	Air Filter With Housing	1	2,4
8	01254060166	Hex Flange Bolt M6x16	3	0,013
9	04612060026	Hex Flange Locking Nut M6	1	0,004
10	16807020170	Primary Air Filter	1	0,25
11	21051101201	Clamp φ60-80	4	0,022
12	16807020150	Primary Air Filter Rubber Sleeve	4	0,05
13	21140105301	Air Filter 1000cc Air Intake Pipe 1	1	0,13
13	21140105201	Engine 1000cc Air Intake Pipe 2	1	0,13
14	17004070060	Clamp φ14.5	1	0,006
15	21140105401	Engine Exhaust Pipe	1	0,05
16	21130103201	Clamp	1	0,006
17	16807040000	CVT Exhaust Pipe	1	0,25
18	16607030030	Clamp φ80-φ100	5	0,023
19	16807040010	CVT Exhaust Pipe Boot	1	0,063
20	16807030010	CVT Intake Pipe Boot	1	0,3
21	16807030000	CVT Intake Pipe	1	0,37
22				
23				

DIAGRAM 2024 AODES SHIFT AND THROTTLE CONTROL SYSTEM F10



ITEM#	CODE	ENGLISH NAME	QTY	WEIGHTS (kg)
1	16811060220	Shift Lever Upper Cover	1	0,006
2	16811060110	Gearshift Lever Cross Shaft	1	0,13
3	16811060230	Shift Lever Lower Cover	1	0,038
4	16811060100	Shift Lever	1	0,038
5	01214080656	Hex Flange Bolt M8X65	1	0,025
6	13205050060	Steering Nylon Sleeve	4	0,002
7	16811060150	Return Spring	1	0,014
8	14711060140	Neck Bush(Long)	1	0,016
9	04612080026	Hex Flange Locking Nut M8	5	0,009
10	01214080856	Hex Flange Bolt M8X85	1	0,036
11	01224080356	Hex Flange Bolt M8x35	1	0,018
12	01254060166	Hex Flange Bolt M6x16	8	0,013
13	16810360000	Shift Plate	1	0,14
14	05011250205	Cotter Pin $\phi 4.0 \times 40$	1	0,001
15	16811060030	Shift Support Plate	1	0,14
16	16711030000	Gearshift Cable (2 Door)	1	0,9
17	16711010190	Accelerator Cable (2 Door)	1	0,17
18	16611060020	Fixed Plate, Gear Shift Cable	1	0,136
19	21040505601	Copper Buckle	1	0,015
20	06219092205	Cross Pan Head Bolt $\phi 8.5 \times \phi 22 \times 2$	4	0,005
21	06119092005	Washer $\phi 8.5 \times \phi 20 \times 2$	1	0,003

**DIAGRAM 2024 AODES SHIFT AND THROTTLE CONTROL SYSTEM F10**



ITEM#	CODE	ENGLISH NAME	QTY	WEIGHTS (kg)
22	16111010270	Throttle Pedal Mounting Base	1	0,257
23	16111010090	Throttle Pedal Return Spring	1	0,013
24	16111010100	Throttle Pedal	1	0,311
25	14711060130	Neck Bush(Short)	1	0,028
26	03344060205	Countersunk Allen Screw M6X20	4	0,015
27	16809010300	Gearshift Cable Clamp (Three-Pipe Clip)	3	0,031
28				
29				
30				
31				
32				
33				
34				
35				
36				
37				
38				
39				
40				
41				
42				
43				
44				

DIAGRAM 2024 AODES ROLL BAR (2 Door) F11		ITEM#	CODE	ENGLISH NAME	QTY	WEIGHTS (kg)
	1	16808080050	Front Roll Bar (Passenger Side)	1	7,16	
	2	16808070050	Front Roll Bar (Driver Side)	1	7,16	
	3	16808050160	Front Windshield Frame Connection Plate	1	4,91	
	4	04612080026	Hex Flange Locking Nut M8	4	0,009	
	5	16808080020	Hand Rail (Passenger Side)	1	0,8	
	6	16808070020	Hand Rail (Driver Side)	1	0,8	
	7	16808060000	Rear Roll Bar	1	23,1	
	8	04612100026	Hex Flange Locking Nut M10X1.5	8	0,013	
	9	01224080206	Hex Flange Bolt M8x20	4	0,013	
	10	01256100356	Hex Flange Locking Nut M10	4	0,03	
	11	01256100206	Hex Flange Bolt M10x20x1.25	4	0,022	
	12	01256100656	Hex Flange Bolt M10x1.5x25	4	0,062	
	13	01256100306	Hex Flange Bolt M10X30X1.25	4	0,027	
	14	16814100090	Roof Cushion Pad	4	0,012	
	15					
	16					
	17					
	18					
	19					
	20					
	21					
	22					
	23					

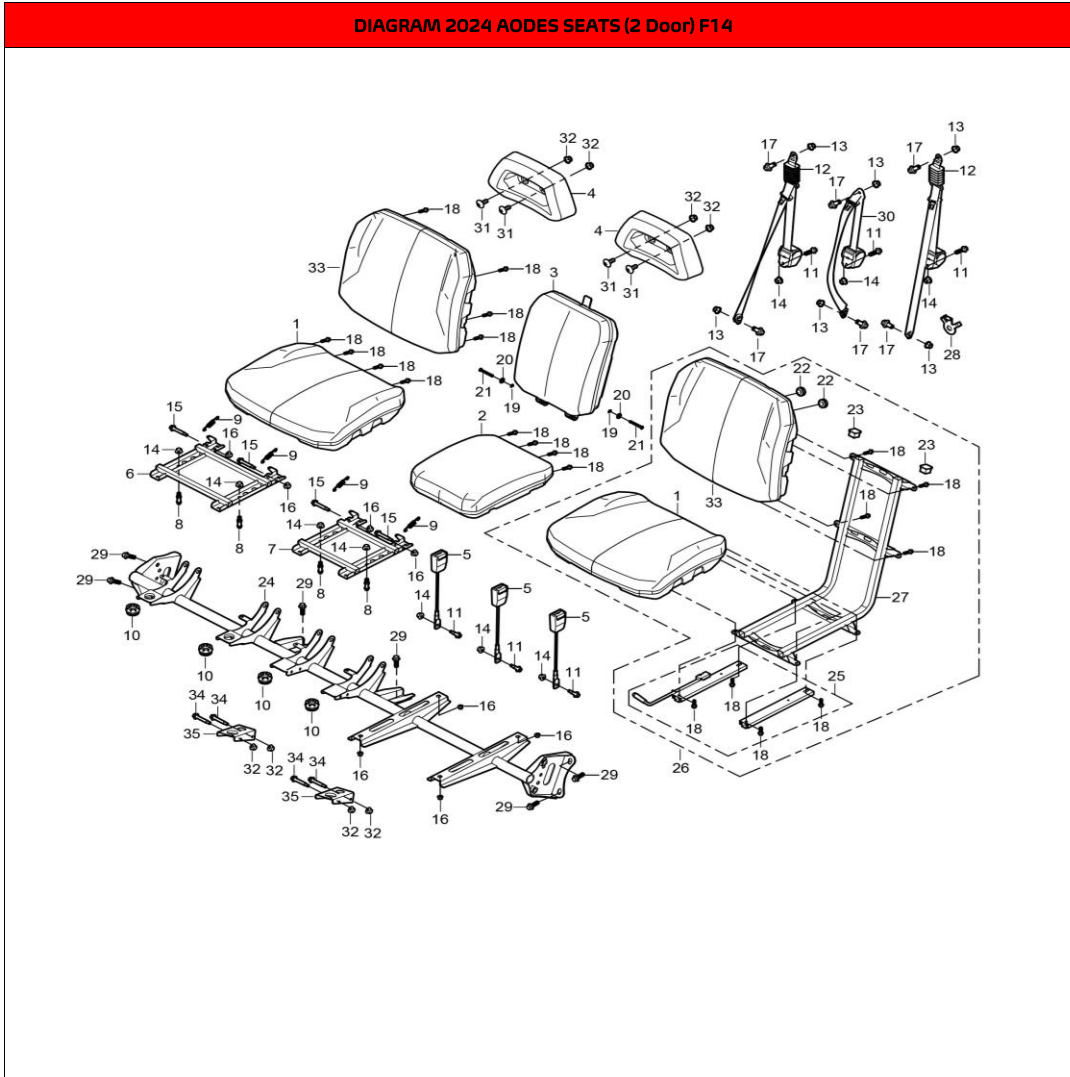
DIAGRAM 2024 AODES ROOF (2 Door) F12		ITEM#	CODE	ENGLISH NAME	QTY	WEIGHTS (kg)
		1	03414060164	Inner Hexalobular Socket Pan Head Screws M6X16	7	0,007
		2	04922060025	Plate Nut (Long) M6	11	0,002
		3	04612060026	Hex Flange Locking Nut M6	6	0,004
		4	01254060166	Hex Flange Bolt M6x16	4	0,003
		5	16814100090	Roof Cushion Pad	4	0,012
		6	16510340420	Plastic Push Pin	20	0,001
		7	15109550000	Reading Light	1	0,1
		8	16814270000	Inner Mirror	1	0,2
		9	16814270010	Inner Rearview Mirror Mounting Plate	1	0,067
		10	16814100120	Front Windshield Frame Felt (Front Upper)	1	0,3
		11	16814100060	Front Windshield Frame Felt (Back)	1	1,1
		12	16814100010	Roof (Front)	1	5,6
		13	16814100030	Roof (Back)	1	1,6
		14	16814100190	Roof Seal Strip 1 L=175mm	1	0,05
		15	16814100180	Roof Seal Strip 1 L=175mm	1	0,05
		16	16814320330	Rear Roll Bar Felt	1	0,4
		17	16814320300	Seat Felt	1	0,4
		18	16810120040	Backrest Felt	1	0,5
		19	06119051805	Washer $\phi 5 \times \phi 18 \times 1.5$	4	0,002
		20	03714350125	Tapping Screws St3.5X12	4	0,015
		21	16814100180	Roof Seal Strip 1 L=175mm	1	0,07
		22	03414060124	Inner Hexagonalobular Socket Pan Head Screw M6x12 (Black)	2	0,006
		23	16814100190	Roof Seal Strip 1 L=175mm	2	0,09

DIAGRAM 2024 AODES ROOF (2 Door) F12		ITEM#	CODE	ENGLISH NAME	QTY	WEIGHTS (kg)	
		24	16814100220	Roof Seal Pad	2	0,001	
		25	16814100200	Roof Seal Strip 3 L=1284mm	2	0,08	
		26					
		27					
		28					
		29					
		30					
		31					
		32					
		33					
		34					
		35					
		36					
		37					
		38					
		39					
		40					
		41					
		42					
		43					
		44					
		45					

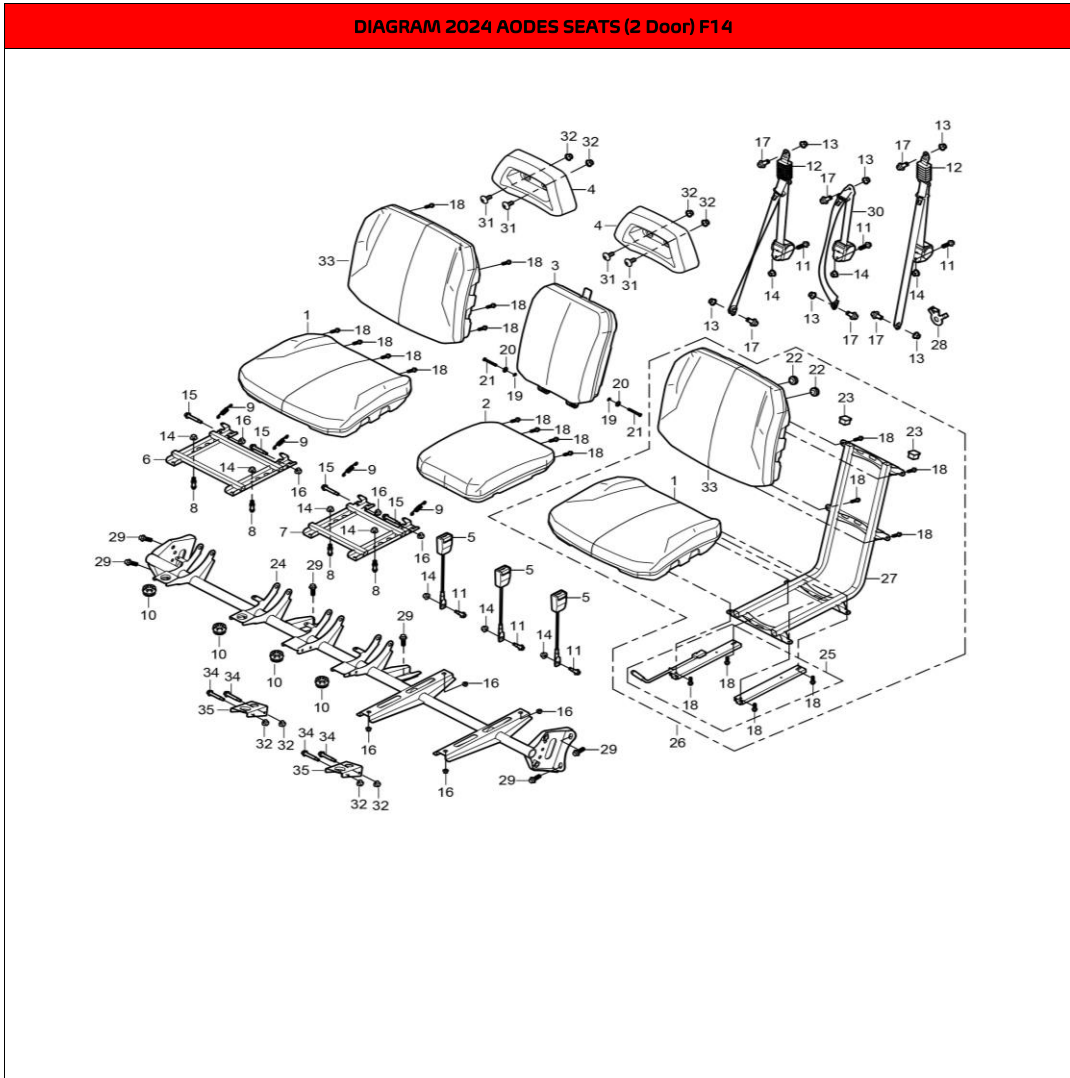
DIAGRAM 2024 AODES EXHAUST SYSTEM F13		ITEM#	CODE	ENGLISH NAME	QTY	WEIGHTS (kg)
		1	16807010060	Front Cylinder Exhaust Pipe(Atv1000 Only)	1	1,3
		2	16807010070	Second Cylinder Exhaust Pipe (1000cc)	1	1,6
		3	004-EN-1200-0001-00	Graphite Seal Sleeve (First Cylinder)	1	0,03
		4	01254060166	Hex Flange Bolt M6x16	22	0,003
		5	17007010780	Clip M6	9	0,005
		6	04512080025	Hex Flange Locking Nut M8	6	0,008
		7	21040400101	Exhaust Gasket	2	0,011
		8	21040400701	O2 Sensor	2	0,082
		9	17007010170	Graphite Seal Cartridge(Small)	1	0,03
		10	17007010340	Exhaust Pipe Tension Spring	8	0,022
		11	14607010700	Clamp,φ21-φ44	4	0,03
		12	16807010290	Second Cylinder Exhaust Pipe Heat Shield (Universal)	1	0,115
		13	16807010020	Muffler(1000Cc)	1	6,97
		14	17007100820	Graphite Washer	1	0,01
		15	17007010770	Tail Exhaust Combination	1	0,28
		16	04312060023	Cap Nut M6	3	0,07
		17	13607010140	Muffler Hang Rubber Sleeve	2	0,015
		18	13607010190	Muffler Hang Neck Bushing	2	0,022
		19	01224080356	Hex Flange Bolt M8x35	2	0,021
		20	17007010320	Muffler Body Protective Board	1	0,802
		21	04612060026	Hex Flange Locking Nut M6	6	0,004
		22	04512060127	Rivet Nut M6	2	0,006
		23	16810220010	Engine Heat Shield (Front)	1	1,3



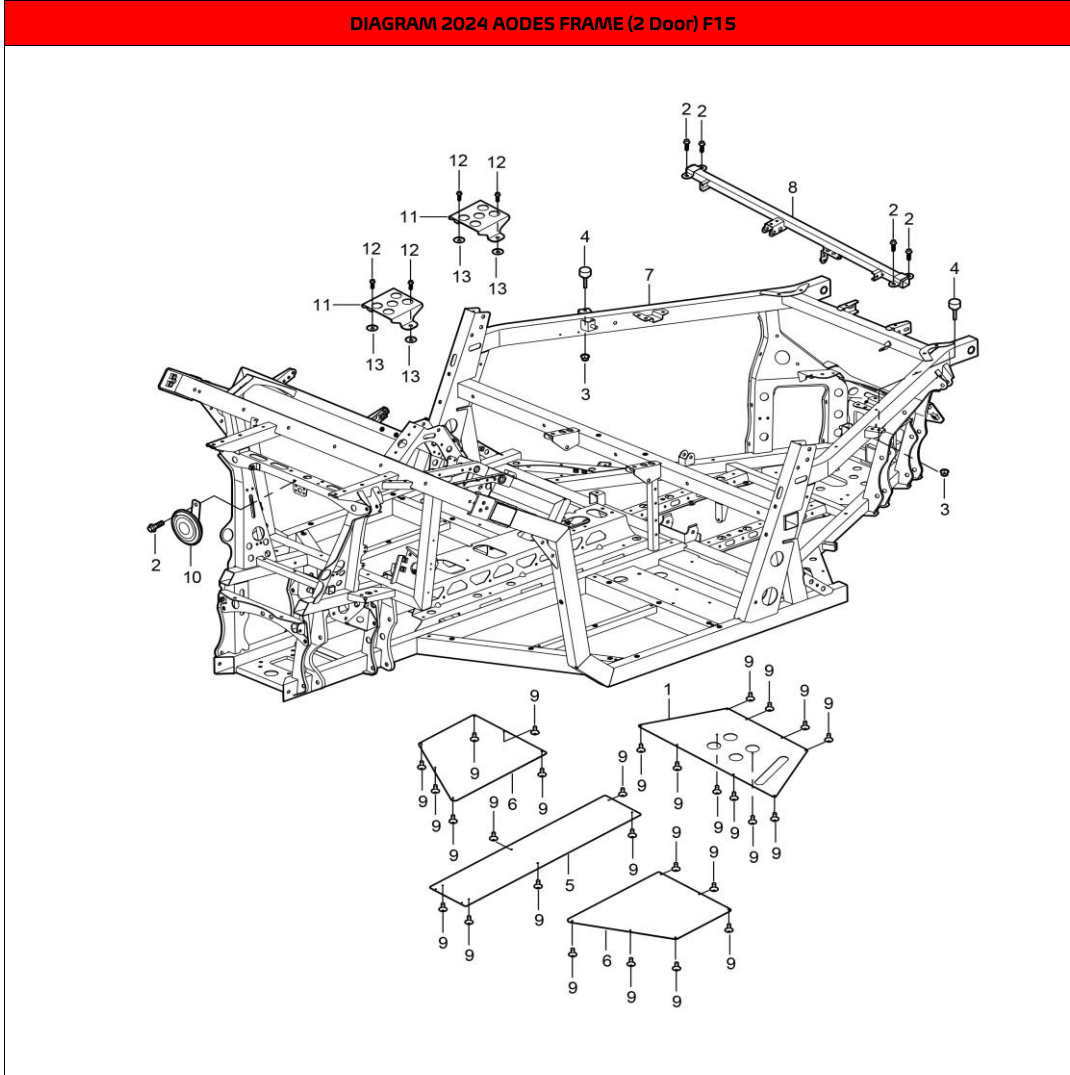
DIAGRAM 2024 AODES EXHAUST SYSTEM F13		ITEM#	CODE	ENGLISH NAME	QTY	WEIGHTS (kg)	
		24	16807010420	Exhaust Pipe Heat Shield (Outer)	1	0,6	
		25	16807010410	Exhaust Pipe Heat Shield (Inner)	1	1	
		26	16807010760	Exhaust Pipe Heat Front Mounting Plate	1	0,168	
		27	01225100206	Hex Flange Bolt M10X20X1.5	2	0,02	
		28	16808630030	Transmission Heat Plate Rear Mounting Plate	1	0,07	
		29	16808630070	Transmission Heat Plate (Back)	1	1,1	
		30	06619061003	Spring Washer φ6	7	0,001	
		31	06119061203	Washer φ6Xφ12X1	7	0,002	
		32	01224060255	Hex Flange Bolt M6X25	6	0,01	
		33					
		34					
		35					
		36					
		37					
		38					
		39					
		40					
		41					
		42					
		43					
		44					
		45					
		46					



ITEM#	CODE	ENGLISH NAME	QTY	WEIGHTS (kg)
1	16714090540	Main Seat Cushion (Base Model)	4	2,2
2	16814090650	Middle Seat Cushion	1	1,387
3	16814090660	Middle Backrest (with Rubber Buckle)	1	1,6
4	16114090560	Seat Headrest	2	0,4
5	16811090030	Seat Belt Fixation Lock	3	0,2
6	16808230000	Passenger Seat Cushion Mounting Bracket	1	1,29
7	16808240000	Middle Seat Cushion Mounting Bracket	1	1,08
8	16114090110	Seat Fixing Pin	4	0,037
9	13211050020	Gear Shifting Spring	4	0,013
10	16114020010	Seat Rubber Washer	4	0,012
11	01244110302	Hex Flange Bolt M11X30	6	0,03
12	16811090010	Seat Belt	2	0,952
13	04622100026	Heagon Flange Locking Nut M10X1.25	6	0,013
14	04212110022	Heagon Flange Locking Nut M11x1.25	6	0,02
15	01824081506	Hex Flange Step Bolt M8	4	0,05
16	04612080026	Hex Flange Locking Nut M8	8	0,009
17	01824100225	Step Bolt M10x22 (φ14-5)	6	0,045
18	03414080164	Inner Hexalobular Socket Pan Head Screws	16	0,013
19	07031050501	E Type Snap Ring	2	0,0002
20	06119061805	Washer 6.5x18x1	2	0,002
21	17014020270	Seat Base Shaft Pin	2	0,013
22	10710150170	Dump Bed Rubber Rubber φ14Xφ25X16	2	0,003
23	10108720050	Rubber Plug	2	0,002



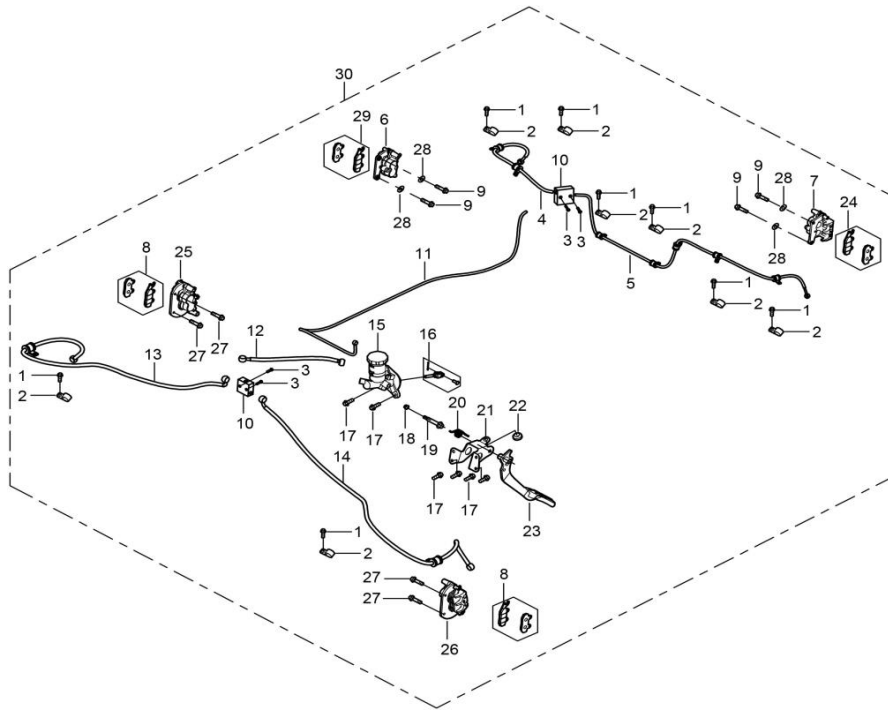
ITEM#	CODE	ENGLISH NAME	QTY	WEIGHTS (kg)
24	16808750000	Front Seat Bracket	1	6,17
25	16814090070	Driver Seat Slide (Set)	1	1,4
26	16814090000	Main Seat Combination	1	9,6
27	16808760010	Driver Seat Bracket	1	3,38
28	10111090120	Seat Belt Limit	1	0,015
29	01256100206	Hex Flange Bolt M10x20x1.25	4	0,022
30	16111090020	Eat Safety Belt(Passenger Side)	1	0,952
31	03414060164	Inner Hexalobular Socket Pan Head Screws M6X16	4	0,007
32	04612060026	Hex Flange Locking Nut M6	8	0,004
33	16714020150	Backrest (Base Model)	4	2,318
34	01214060656	Hex Flange Bolt M6x65	4	0,032
35				
36				
37				
38				
39				
40				
41				
42				
43				
44				
45				
46				



ITEM#	CODE	ENGLISH NAME	QTY	WEIGHTS (kg)
1	16708010070	Engine Lower Underguard	1	1,15
2	01224080206	Hex Flange Bolt M8x20	5	0,013
3	04212080025	Hex. Nut M8	2	0,009
4	16810150170	Cargo Cushion Rubber Pad	2	0,05
5	16708010060	Front Frame Skid Plate (2 Door)	1	0,7
6	16808010090	Front Frame Skid Plate (2 Door)	2	0,7
7	16708010000	Frame	1	121,5
8	16802110000	Engine Suspension Bracket	1	1,9
9	03414060164	Inner Hexalobular Socket Pan Head Screws M6X16	31	0,009
10	17309100000	Horn,E9-006692	1	0,239
11	16810320090	Driveshaft Shield Lower Support Plate	2	0,132
12	01254060166	Hex Flange Bolt M6x16	4	0,003
13	06119062605	Flat Washer φ6×φ26×2	2	0,001
14				
15				
16				
17				
18				
19				
20				
21				
22				
23				

DIAGRAM 2024 AODES BRAKING SYSTEM F16		ITEM#	CODE	ENGLISH NAME	QTY	WEIGHTS (kg)
		1	01254060126	Hex Flange Bolt M6x12	8	0,005
		2	17006010090	Clamp (For Brake Oil Pipe)	8	0,008
		3	01254060306	Hex Flange Bolt M6x30	4	0,009
		4	16806010250	Brake Hose 4, Rear Brake Clamp, RH	1	0,8
		5	16806010260	Brake Hose 3, Rear Brake Clamp, LH	1	0,9
		6	16806010140	Rear Brake Caliper, Passenger Side	1	0,52
		7	16806010150	Rear Brake Caliper, Driver Side	1	0,52
		8	15106010060	Brake Pad,Front	2	0,339
		9	01256100306	Hex Flange Bolt M10X30X1.25	4	0,027
		10	17006010460	Rear Tee-Junction	2	0,08
		11	16806010180	Front Master Pump Copper Pipe Assembly (2 Door)	1	0,9
		12	16806010220	Master Pump Hose Assembly	1	0,3
		13	16801060170	Front Right Slave Pump Hose Assembly	1	0,65
		14	16806010160	Front Left Slave Pump Hose Assembly	1	0,65
		15	16806010270	Brake Pump	1	1
		16	15106010470	Brake Rod Of Master Cyliner	1	0,03
		17	01224080256	Hex Flange Bolt M8x25	6	0,015
		18	04612080026	Hex Flange Locking Nut M8	1	0,01
		19	01824081506	Hex Flange Step Bolt M8	1	0,05
		20	16106030021	Brake Pedal Return Spring	1	0,013
		21	16806020000	Foot Brake Support Plate	1	0,256
		22	10710150170	Dump Bed Rubber Rubber φ14Xφ25X16	1	0,003
		23	16806030000	Foot Brake Pedal	1	0,42

**DIAGRAM 2024 AODES BRAKING SYSTEM F16**



ITEM#	CODE	ENGLISH NAME	QTY	WEIGHTS (kg)
24	14606010650	Brake Pad,Rear , Driver Side	1	0,25
25	16806010310	Front Brake Calliper,Passenger Side	1	1,1
26	16806010320	Front Calliper,Driver Side	1	1,1
27	01256100256	Hex Flange Bolt M10X25X1.25	4	0,26
28	06119102005	Flat Washer φ10.5×φ20×2	4	0,004
29	14606010660	Brake Pad,Rear , Passenger Side	1	0,25
30	16706010540	Disc Brake Assembly (2 Door)	1	9,85
31				
32				
33				
34				
35				
36				
37				
38				
39				
40				
41				
42				
43				
44				
45				
46				



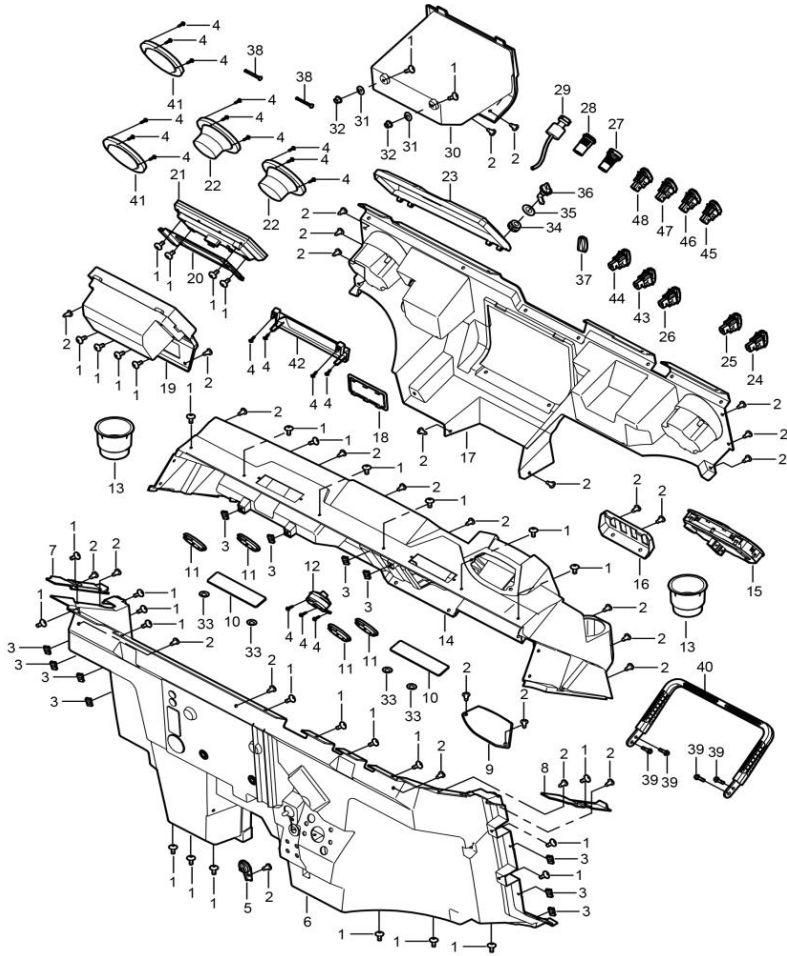
DIAGRAM 2024 AODES FRONT PANEL F17		ITEM#	CODE	ENGLISH NAME	QTY	WEIGHTS (kg)
		1	03414060164	Inner Hexalobular Socket Pan Head Screws M6X16	35	0,007
		2	16514240021	Square Camera	1	0,08
		3	06119061205	Washer $\phi 6 \times \phi 12 \times 1$	4	0,004
		4	10410190000	Push Pin M8X15	20	0,001
		5	04922060025	Plate Nut (Long) M6	21	0,002
		6	04512060127	Rivet Nut M6	9	0,007
		7	16810270180	Dashboard Bracket	1	1,6
		8	16810290040	Front Guard Plate (Passenger Side)	1	1,5
		9	16810270190	Front Panel Liner	1	3,2
		10	16810200060	Front Headlight Cover	1	2,81
		11	16810740010	Front Service Cover	1	0,3
		12	16810160420	A/C Intake Grille	1	0,043
		13	16810290030	Front Guard Plate (Driver Side)	1	1,5
		14	16809450020	Front Position Light (Passenger Side)	1	0,15
		15	16809060040	Headlight (Passenger Side)	1	1,15
		16	16809450010	Front Position Light (Driver Side)	1	0,15
		17	16809060030	Headlight (Driver Side)	1	1,15
		18	16810160430	Front Panel,Red With Flake (Driver Side)	1	0,9
		18	16810160450	Front Panel (Left) (Titanium Gray)	1	0,9
18	16810160220	Front Panel( True Timber),Driver Side	1	0,9		
18	16810160360	Front Panel (Passenger Side) (Pearl White)	1	0,9		
18	16810160320	Front Panel,Metallic Blue (Driver Side)	1	0,9		
19	16810160490	Front Panel (Center) (Red With Flake)	1	1,4		
19	16810160500	Front Panel (Center) (Titanium Gray)	1	1,4		
19	16810160240	Front Panel (Center) (True Timber)		1,4		
19	16810160470	Front Panel (Center) (Pearl White)		1,4		
19	16810160480	Front Panel (Center) (Metallic Blue)		1,4		



	20	16810160440	Front Panel (Passenger Side) (Red)	1	0,9
	20	16810160460	Front Panel (Right) (Titanium Gray)		0,9
	20	16810160230	Front Panel (True Timner) , Passenger Side		0,9
	20	16810160370	Front Panel (Driver Side) (Pearl White)		0,9
	20	16810160330	Front Panel (Driver Side) (Blue)		0,9
	21	16108150080	Hood Rubber Washer	2	0,005
	22	06219162205	Washer $\phi 16 \times \phi 22 \times 2$	2	0,002
	23	16110260130	Rotation Switch	2	0,015

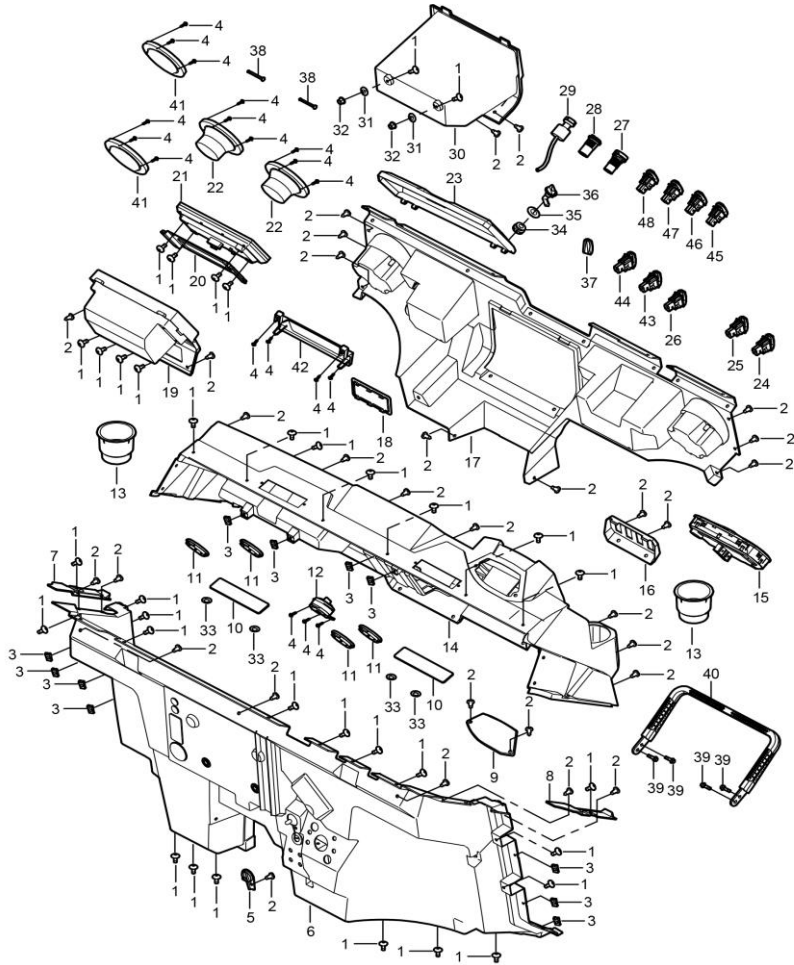
DIAGRAM 2024 AODES FRONT PANEL F17		ITEM#	CODE	ENGLISH NAME	QTY	WEIGHTS (kg)	
		24	17313040680	Logo(Odes)	1	0,026	
		25	17010030030	Odes Logo Mounting Board	2	0,002	
		26	03714420165	Tapping Screws St4.2x16	5	0,002	
		27	16714240100	Front Camera Fixed Bracket	1	0,002	
		28	16814240100	Front Camera Mounting Base	1	0,02	
		29	03414080164	Inner Hexalobular Socket Pan Head Screws	4	0,013	
		30	03414060354	Inner Hexalobular Socket Pan Head Screws M6x35	6	0,008	
		31	01224050125	Hex Flange Bolt M5X12	4	0,004	
		32					
		33					
		34					
		35					
		36					
		37					
		38					
		39					
		40					
		41					
		42					
		43					
		44					
		45					
		46					

**DIAGRAM 2024 AODES DASH BOARD (WITHOUT HVAC OR HV) F18**



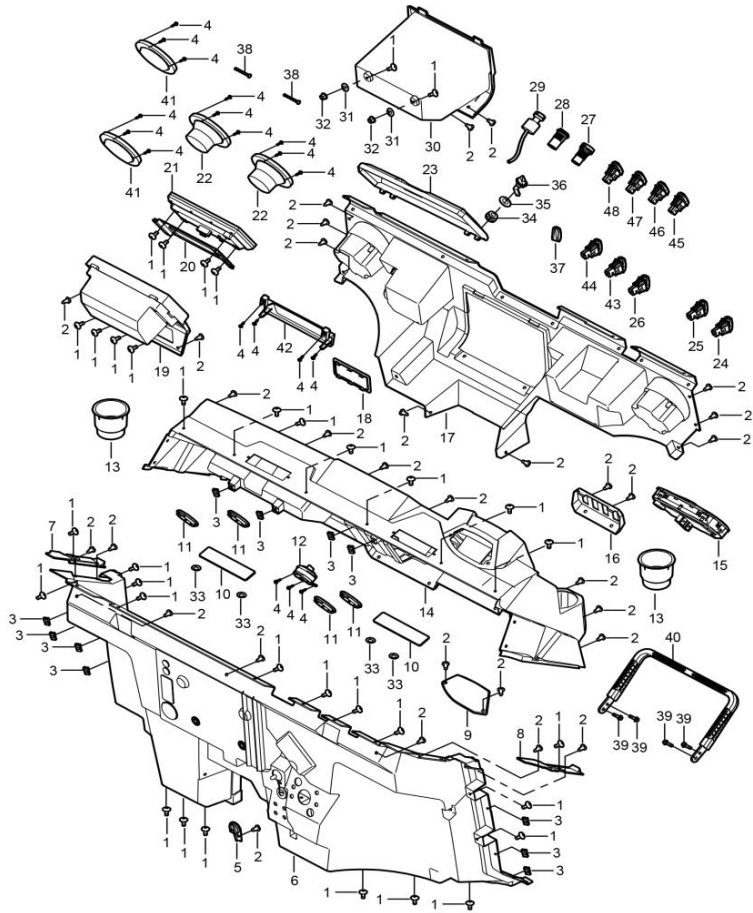
ITEM#	CODE	ENGLISH NAME	QTY	WEIGHTS (kg)
1	03414060164	Inner Hexalobular Socket Pan Head Screws M6X16	23	0,007
2	10410190000	Push Pin M8X15	31	0,001
3	04922060025	Plate Nut (Long) M6	14	0,002
4	03714420165	Tapping Screws St4.2x16	7	0,002
5	16810650000	Throttle Cable Decorative Cover	1	0,005
6	16810580000	Front Inner Fender	1	4,9
7	16810380010	Front Inner Fender Left Small Cover	1	0,039
8	16810380020	Front Inner Fender Right Small Cover	1	0,039
9	16810200160	Instrument Panel Maintenance Cover	1	0,031
10	16810200160	Instrument Panel Maintenance Cover	2	0,018
11	16810690000	Air Vent Decorative Cover	4	0,01
12	16809320000	2Wd/4Wd Switch	1	0,027
13	16810350010	Cup Holder	2	0,07
14	16810270000	Dash Board	1	3,8
15	16809160000	Dash Display	1	0,542
16	16810270060	Switch Service Cover	1	0,04
17	16810270080	Dashboard Lower Guard Plate	1	3
18	16810200170	A/C Switch Decorative Cover	1	0,01
19	16810270070	Central Control Screen Mounting Cover	1	0,6
20	16809120010	Central Control Screen Mounting Plate	1	0,2
21	16809610010	Central Control Screen	1	2,5
22	16809420020	Speaker	2	0,426
23	16810630020	Storage Box Cover	1	0,28

DIAGRAM 2024 AODES DASH BOARD (WITHOUT HVAC OR HV) F18



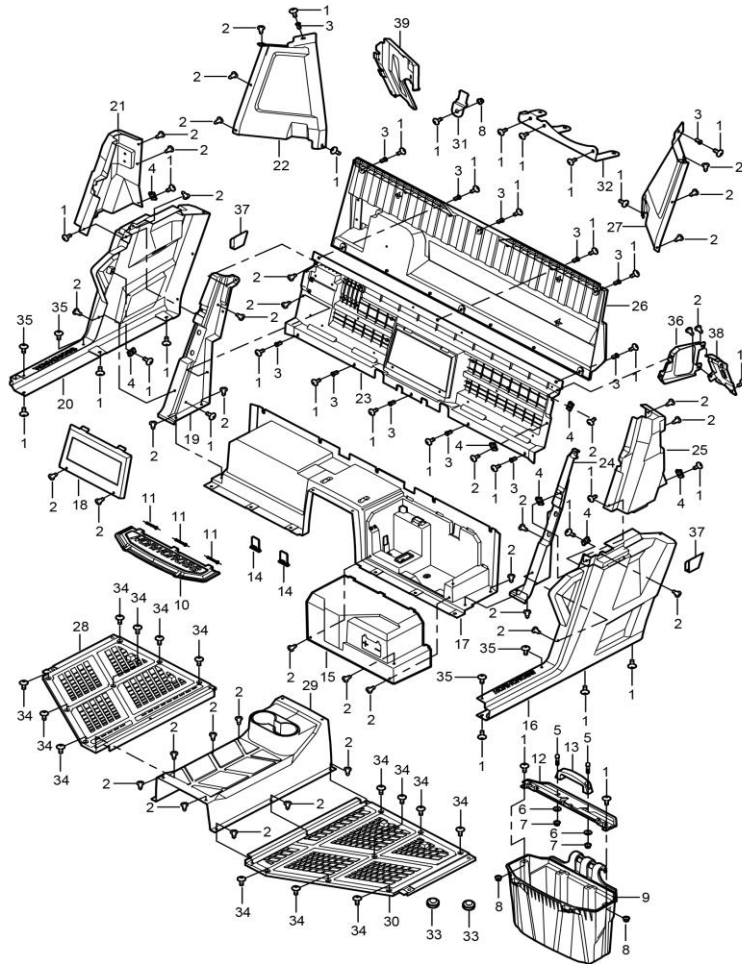
ITEM#	CODE	ENGLISH NAME	QTY	WEIGHTS (kg)
24	16809190010	Headlight Switch	1	0,027
25	16809190390	Position Light Switch	1	0,027
26	16809190030	Switch Of Horn	1	0,027
27	13609300000	Power Socket	1	0,09
28	14709300010	Usb Socket	1	0,06
29	17709040000	Ignition Switch	1	0,86
30	16810630010	Glove Box (Front)	1	0,84
31	06119061203	Washer φ6Xφ12X1	2	0,002
32	04612060026	Hex Flange Locking Nut M6	2	0,004
33	17014110300	Plum-shaped Fastener	4	0,001
34	16108150080	Hood Rubber Washer	1	0,005
35	06219162205	Washer φ16×φ22×2	1	0,002
36	16110260130	Rotation Switch	1	0,015
37	001-EL-3700	Decorative Panel	1	0,001
38	16814210060	Rear Trunk Pin	2	0,001
39	01214080205	Hex Flange Bolt M8X20	4	0,028
40	16808100000	Passenger Armrest	1	1,05
41	16809420080	Speaker Decorative Cover	2	0,072
42	16809610030	Central Control Screen Decorative Cover	1	0,088
43	16809190020	Turn Signal Switch	1	0,027
44	16809190150	Towing Machine Switch	1	0,027
45	16809310000	Hazard Switch	1	0,027
46	16809190070	Dome Light Switch	1	0,027

**DIAGRAM 2024 AODES DASH BOARD (WITHOUT HVAC OR HV) F18**



ITEM#	CODE	ENGLISH NAME	QTY	WEIGHTS (kg)
47	16809190400	Wiper Motor Switch	1	0,027
48	16809190140	Rear Drive Lock Switch	1	0,027
49				
50				
51				
52				
53				
54				
55				
56				
57				
58				
59				
60				
61				
62				
63				
64				
65				
66				
67				
68				

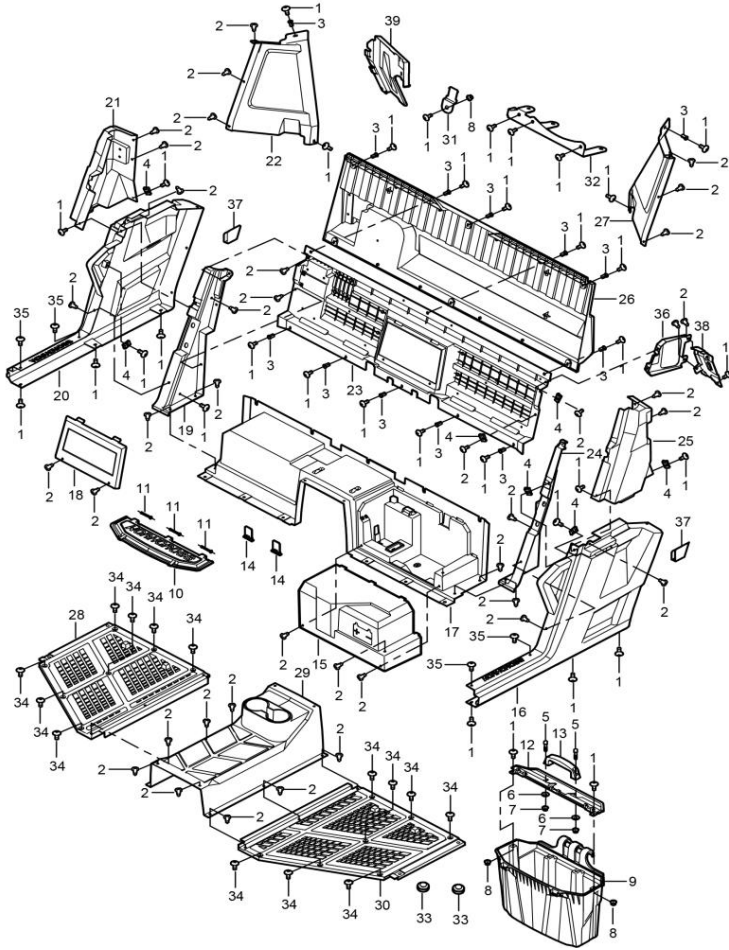
DIAGRAM 2024 AODES REAR MUDGUARD AND FOOTBOARD (2 Door)F19



ITEM#	CODE	ENGLISH NAME	QTY	WEIGHTS (kg)
1	03414060164	Inner Hexalobular Socket Pan Head Screws M6X16	43	0,007
2	10410190000	Push Pin M8X15	43	0,001
3	04512060127	Rivet Nut M6	14	0,007
4	04922060025	Plate Nut (Long) M6	10	0,002
5	03344080255	Hexagon Socket Cap Screws M8x25	2	0,013
6	06119091605	Washer $\phi 8.5 \times \phi 16 \times 1.5$	2	0,002
7	04612080026	Hex Flange Locking Nut M8	2	0,01
8	04612060026	Hex Flange Locking Nut M6	2	0,004
9	16710630010	Storage Box	1	1,57
10	16810630150	Storage Box Cover 2	1	0,19
11	16814210060	Rear Trunk Pin	3	0,001
12	16810630160	Storage Box Cover 1	1	0,14
13	16614100050	Handle	1	0,077
14	16810410040	Storage Box Cover Trim	2	0,008
15	16809090040	Battery Cover	1	0,6
16	16810290110	Rear Side Panel Outer (Lower Left)	1	1,56
17	16809090130	Seat Bottom Guard Plate	1	2,517
18	16810280040	Seat Back Guard Plate 2	1	0,212
19	16810290060	Rear Side Panel Inner (Right)	1	0,365
20	16810290120	Rear Side Panel Outer (Lower Right)	1	1,56
21	16810290150	Rear Side Panel (Upper Left)	1	0,513
22	16810330040	Rear Mudguard, Passenger Side	1	0,38
23	16810280030	Seat Back Guard Plate 1	1	1,79



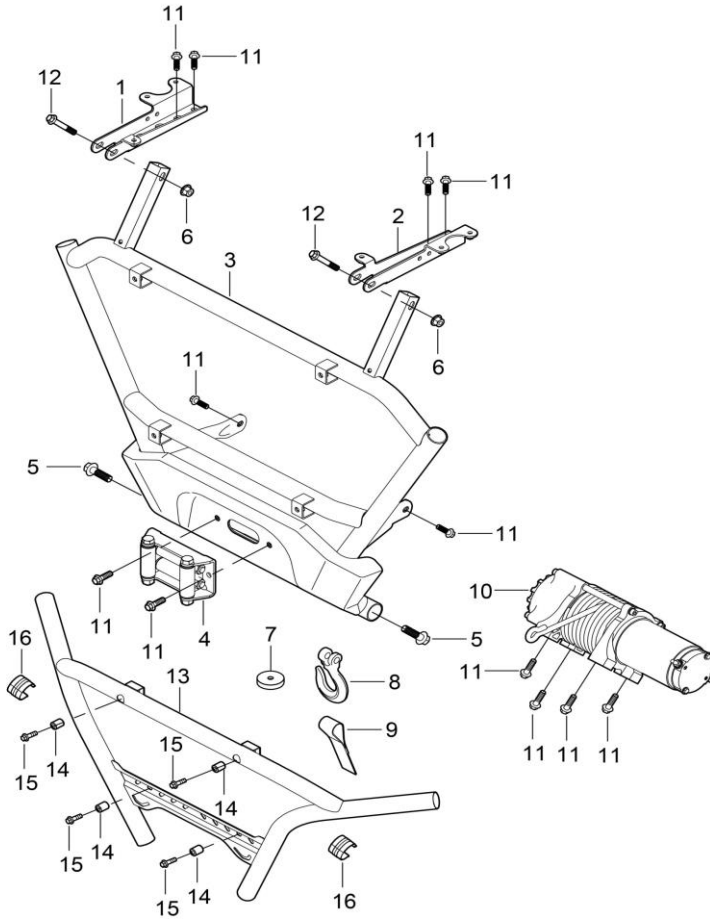
**DIAGRAM 2024 AODES REAR MUDGUARD AND FOOTBOARD (2 Door)F19**



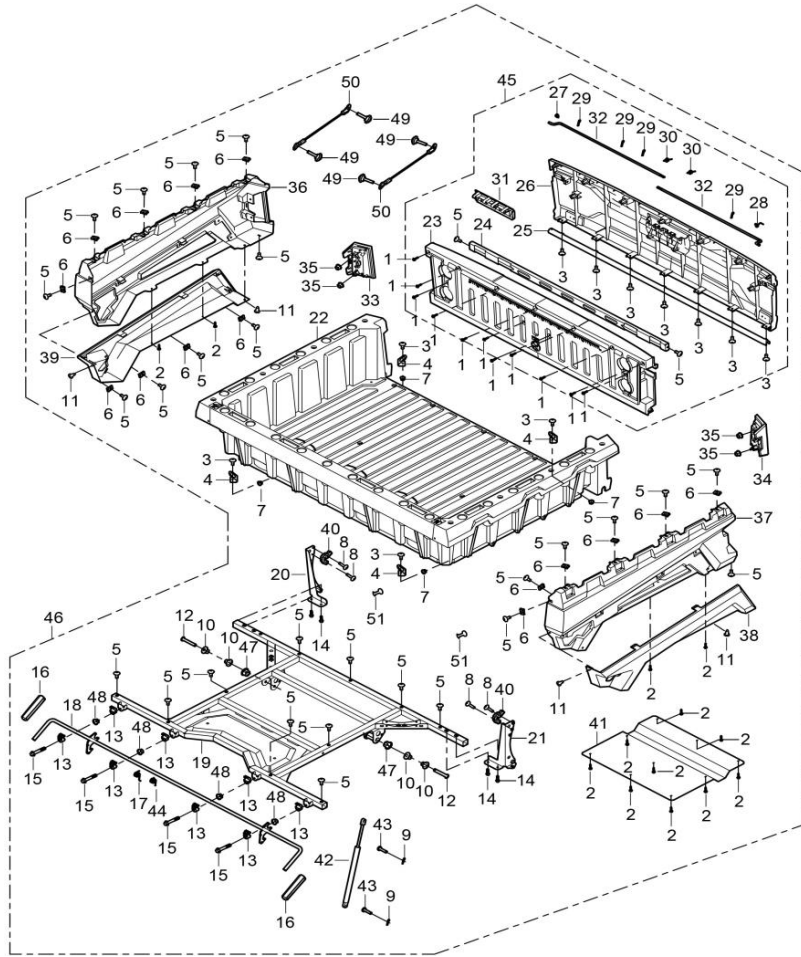
ITEM#	CODE	ENGLISH NAME	QTY	WEIGHTS (kg)
24	16810290050	Rear Side Panel Inner (Left)	1	0,365
25	16810290160	Rear Side Panel (Upper Right)	1	0,513
26	16810280000	Seat Back Guard Plate	1	2,59
27	16810330030	Rear Mudguard,Driver Side	1	0,38
28	16810080020	Front Foot Pedal (Right)	1	1,792
29	16810320000	Front Transmission Shaft Shield	1	1,234
30	16810080010	Front Foot Pedal (Left)	1	1,792
31	16809350060	Fan Controller Mounting Plate	1	0,01
32	16809010160	Fuse Box Mounting Plate	1	0,21
33	10114090430	Cargo Box Bottom Rubber	2	0,006
34	03414060204	Inner Hexalobular Socket Pan Head Screws M6x20	14	0,007
35	03414060254	Inner Hexalobular Socket Pan Head Screws M6x25	4	0,008
36	16807030230	CVT Intake Mounting Cover	1	0,04
37	16810341050	Door Rear Seal Block	2	0,001
38	16807030190	CVT Intake Cover	1	0,064
39	16807020200	Air Filter Intake Dust Shield	1	0,135
40				
41				
42				
43				
44				
45				
46				



DIAGRAM 2024 AODES FRONT WINCH AND BUMPER (2024 YEAR) F20

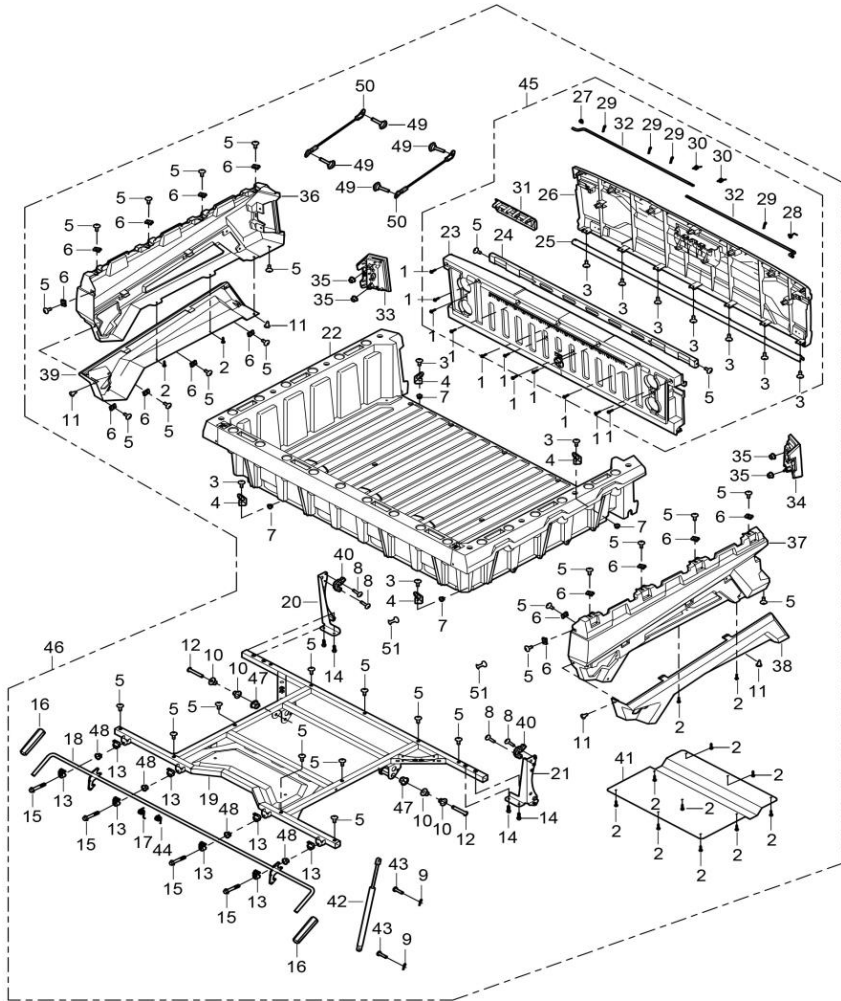


ITEM#	CODE	ENGLISH NAME	QTY	WEIGHTS (kg)
1	16808420120	Towing Machine Bracket Upper Mounting Plate (Right)	1	0,37
2	16808420110	Towing Machine Bracket Upper Mounting Plate (Left)	1	0,37
3	16808860000	Winch Bracket	1	7,3
4	10914150100	Winch Front Roller Bracket	1	1,32
5	01256100206	Hex Flange Bolt M10x20x1.25	2	0,022
6	04612080026	Hex Flange Locking Nut M8	2	0,01
7	10914060100	Winch Protection Pad	1	0,06
8	10914150080	Hook	1	0,295
9	10914150090	Anchor Rope	1	0,012
10	10914150111	Front Winch Body, 3500Lbs (Nylon Wire)	1	7,8
11	01224080206	Hex Flange Bolt M8x20	12	0,033
12	01214080456	Hex Flange Bolt M8x45	2	0,02
13	16808110000	Front Bumper	1	5,39
14	16808110220	Front Bumper Mounting Sleeve	4	0,045
15	03344080405	Hex Flange Bolt M8x40	4	0,018
16	16810200070	Front Bumper Decorative Cover	2	0,012
17				
18				
19				
20				
21				
22				
23				

**DIAGRAM 2024 AODES CARGO BOX F21**


ITEM#	CODE	ENGLISH NAME	QTY	WEIGHTS (kg)
1	03714550404	Hexagonal Head Self-Tapping Screw	11	0,015
2	03714550164	Hexagonal Head Self-Tapping Screw	13	0,007
3	03414060254	Inner Hexalobular Socket Pan Head Screws M6x25	11	0,008
4	16810150180	Cargo Hook Ring	4	0,06
5	03414060164	Inner Hexalobular Socket Pan Head Screws M6X16	27	0,007
6	04922060025	Plate Nut (Long) M6	14	0,002
7	04612060026	Hex Flange Locking Nut M6	4	0,004
8	03414060404	Inner Hexalobular Socket Pan Head Screws M6x40	4	0,007
9	16810151780	R Pin	2	0,003
10	14610470070	Rotating Shaft Nylon Sleeve	4	0,006
11	10410190000	Push Pin M8X15	4	0,001
12	01256120706	Hex Flange Bolt M12X70X1.25	2	0,076
13	16810151770	Cargo Handle Fixing Block	8	0,009
14	01224080206	Hex Flange Bolt M8x20	6	0,013
15	01214080506	Hex Flange Bolt M8x50	4	0,023
16	16110150070	Dumm Bed Handrail Rubber Sleeve	2	0,073
17	16810150450	Cargo Handle Limiting Spring (Right)	1	0,017
18	16810150140	Dumm Bed Handrail Rubber Sleeve	1	2,43
19	16808710000	Cargo Box Frame	1	12,43
20	16810151570	Rear Tail Light Mounting Bracket (Right)	1	0,64
21	16810151560	Rear Tail Light Mounting Bracket (Left)	1	0,64
22	16810150030	Rear Cargo Box Floor	1	24,06
23	16810150060	Cargo Box Rear Door Floor	1	6

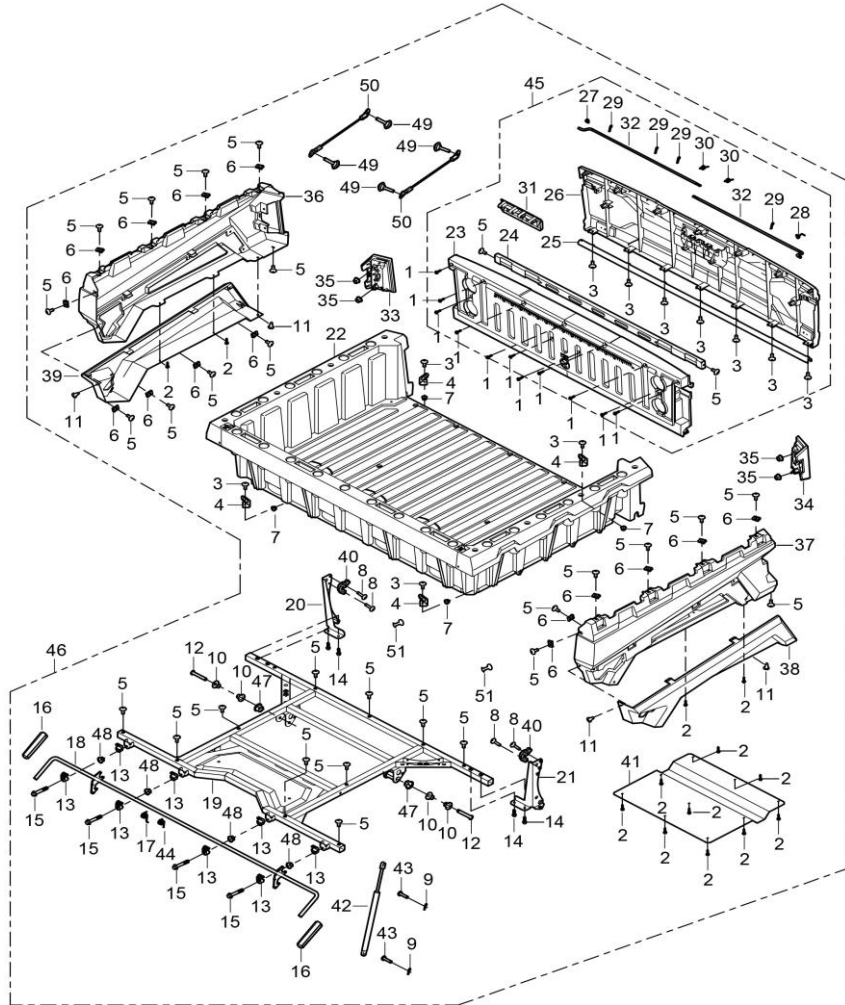
DIAGRAM 2024 AODES CARGO BOX F21



ITEM#	CODE	ENGLISH NAME	QTY	WEIGHTS (kg)
24	16810151750	Cargo Box Rear Door Panel Reinforcement Plate	1	0,8
25	16810151340	Cargo Box Rear Panel Pivot Shaft	1	2,28
26	16810150300	Cargo Box Rear Door Panel	1	2,3
27	16810151370	Cargo Box Door Switch Limiting Spring (Passenger Side)	1	0,004
28	16810151360	Cargo Box Door Switch Limiting Spring (Driver Side)	1	0,004
29	16810151780	R Pin	4	0,001
30	16810150050	Cargo Box Door Switch Torsion Spring	2	0,005
31	16810150800	Cargo Box Rear Door Lock Handle	1	0,2
32	16810151320	Cargo Box Rear Panel Hinge Lock Hook	2	0,3
33	16809070020	Rear Tail Light Right	1	0,2
34	16809070010	Rear Tail Light Left	1	0,2
35	04612060026	Hex Flange Locking Nut M6	4	0,004
36	16810151160	Dump Bed Cover (Red With Flake),Passenger Side	1	1,9
36	16810151300	Cargo Box Guard Plate (Passenger Side) (Titanium Gray)	1	1,9
36	16810150830	Cargo Box Guard Plate (Passenger Side) (True Timber)	1	1,9
36	16810151180	Cargo Box Guard Plate (Passenger Side) (Pearl White)	1	1,9
36	16810151240	Dump Bed Cover (Metallic Blue),Passenger Side	1	1,9
37	16810150820	Cargo Box Guard Plate (Driver Side) (Red With Flake)	1	1,9
37	16810151290	Cargo Box Guard Plate (Driver Side) (Titanium Gray)	1	1,9
37	16810150820	Cargo Box Guard Plate (Driver Side) (Red With Flake)	1	1,9
37	16810151170	Cargo Box Guard Plate (Driver Side) (Pearl White)	1	1,9
37	16810151230	Dump Bed Coverd Metallic Blue,Driver Side	1	1,9
38	16810100000	Rear Wheel Arch (Driver Side)	1	0,82
39	16810110000	Rear Fender,Passenger Side	1	0,82
40	16810151760	Cargo Box Door Lock Latch	2	0,024
41	16801120120	Cargo Box Heat Plate	1	0,6
42	16810150100	Dump Bed Air Springs	1	0,5

	43	10908410020	Dumo Bed Lower Fixation Pin	2	0,03
	44	16810150440	Cargo Handle Limiting Spring (Driver Side)	2	0,017
	45	16810150060	Cargo Box Rear Door Floor	1	11,4
	46	16810150000	Dump Bed	1	20

DIAGRAM 2024 AODES CARGO BOX F21



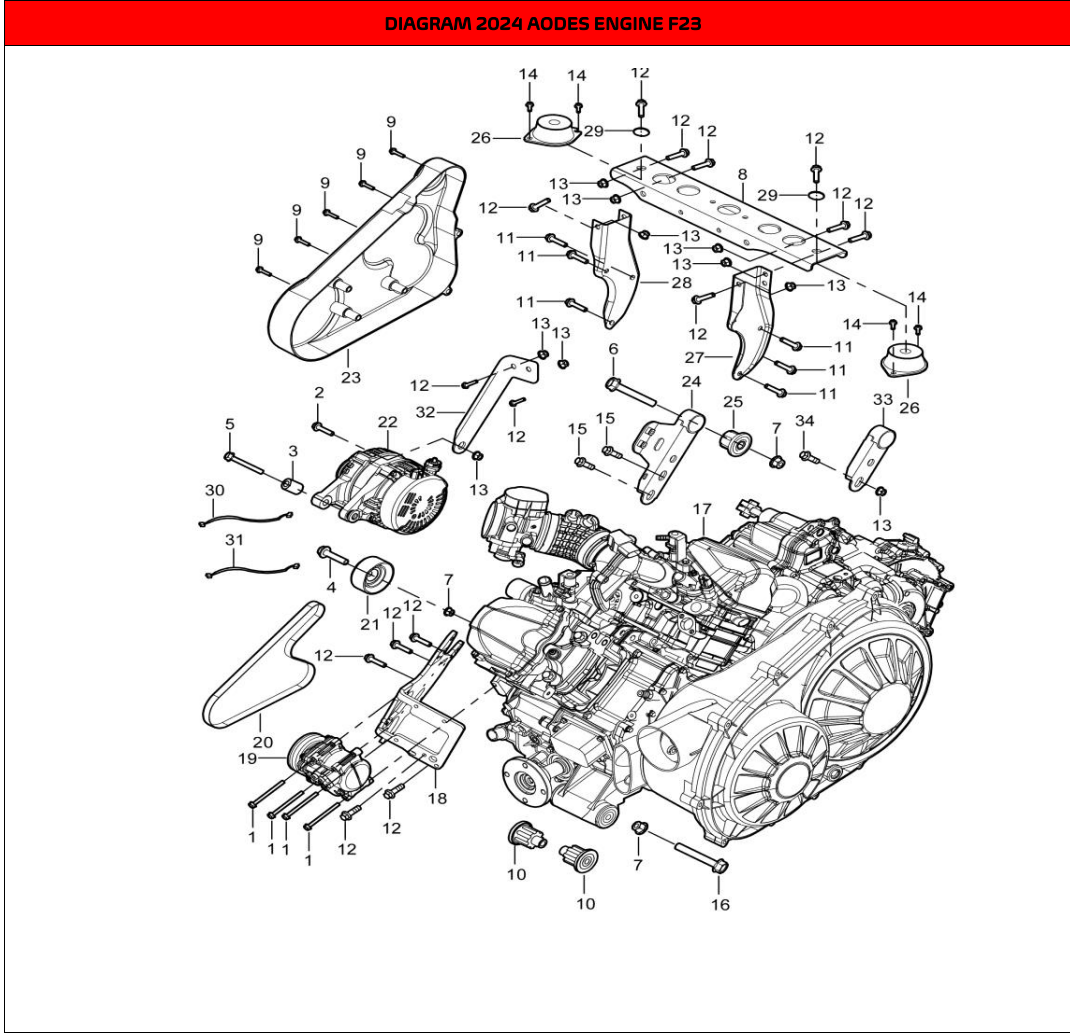
ITEM#	CODE	ENGLISH NAME	QTY	WEIGHTS (kg)
47	04622120026	Hex Flange Locking Nut M12X1.25	2	0,022
48	04612080026	Hex Flange Locking Nut M8	4	0,01
49	03464060304	Hexagon Socket Countersunk Step Bolt	4	0,007
50	16810150150	Dump Bed Wire Rope	2	0,3
51	16810151330	Cargo Box Door Panel Buffer Rubber Pad	2	0,001
52				
53				
54				
55				
56				
57				
58				
59				
60				
61				
62				
63				
64				
65				
66				
67				
68				
69				



DIAGRAM 2024 AODES ELECTRICAL COMPONENTS F22		ITEM#	CODE	ENGLISH NAME	QTY	WEIGHTS (kg)
	1	16709410000	Engine Wire Harness	1	0,579	
	2	10109270000	Flasher	1	0,027	
	3	16709020040	Wiring Harness (2 Door)	1	4,8	
	4	21140402501	ECU Module	1	0,124	
	5	10909090000	Battery	1	12,12	
	6	10914150010	Winch Controller Box Cap	1	0,026	
	7	16814150340	Winch Relay And Wire Assy	1	1,5	
	8	17009350000	Starter Relay	1	0,54	
	9	21051100203	Voltage Regulator (High Power)	1	0,769	
	10	10114090430	Cargo Box Bottom Rubber	1	0,006	
	11	21040400201	Ignition Coil	2	0,312	
	12	21190100701	Cylinder 1 High-Pressure Wire L=240mm	2	0,038	
	13	21140200502	Angle Of Rotation Sensor	1	0,019	
	14	16809090200	Battery Fixing Plate	1	0,19	
	15	01254060166	Hex Flange Bolt M6x16	4	0,003	
	16	03414060164	Inner Hexalobular Socket Pan Head Screws M6X16	6	0,007	
	17	01224060351	Hex Flange Bolt M6X35	2	0,008	
	18	01224060404	Hex Flange Bolt M6X40	2	0,009	
	19	16809010320	Fuse Box Cover	1	0,067	
	20	16809210020	Regulator Wiring	1	0,1	
	21	16809010110	Negative Iron Wire	1	0,1	
	22	16809070160	Tail Light Cable	1	0,2	
	23	21170102402	Spark Plug Cable L=150mm	1	0,036	

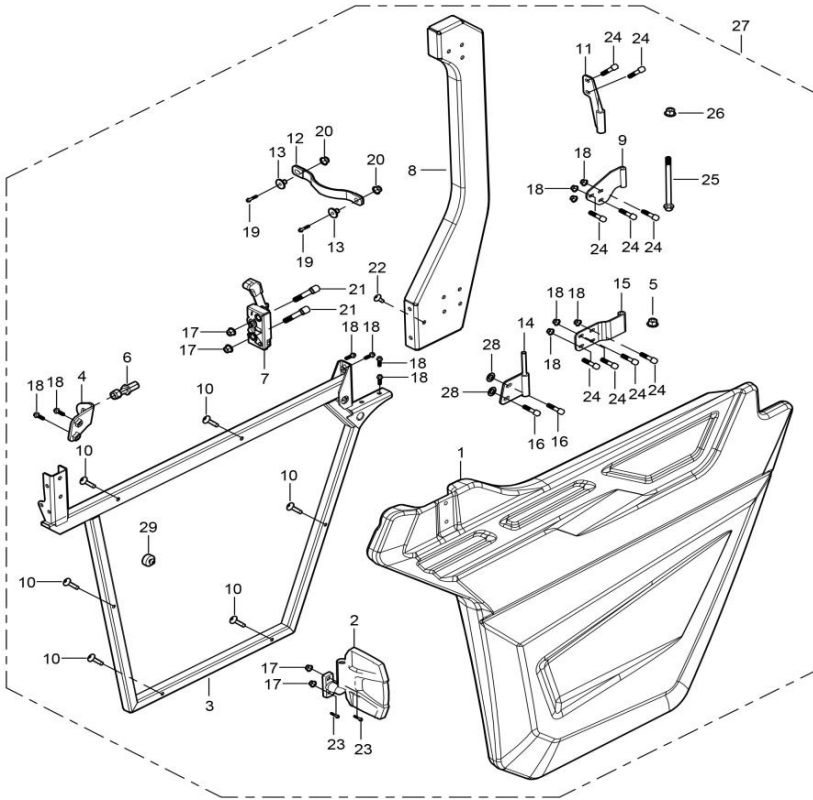
DIAGRAM 2024 AODES ENGINE F23		ITEM#	CODE	ENGLISH NAME	QTY	WEIGHTS (kg)
		1	01214080951	Hex Flange Bolt M8x95	4	0,04
		2	01214080451	Hex Flange Bolt M8x45	6	0,033
		3	21140104201	Alternator Tension Sleeve	1	0,05
		4	01214100451	Hex Flange Bolt M10x45x1.25	1	0,089
		5	01214100751	Hex Flange Bolt M10x1.25x75	1	0,05
		6	01256100506	Hex Flange Bolt M10X50X1.25	1	0,039
		7	04112100021	Hex Flange Locking Nut M10x1.25	2	0,013
		8	16808250010	Rear Differential Hanger	1	0,84
		9	01224060351	Hex Flange Bolt M6X35	5	0,008
		10	10402070000	Engine Rubber	2	0,038
		11	01224080256	Hex Flange Bolt M8x25	8	0,015
		12	01224080206	Hex Flange Bolt M8x20	10	0,013
		13	04612080026	Hex Flange Locking Nut M8	8	0,01
		14	01254060166	Hex Flange Bolt M6x16	4	0,003
		15	01225100206	Hex Flange Bolt M10X20X1.5	2	0,02
		16	01255101255	Hex Flange Bolt M10x125	1	0,01
		17	41000409109	1000cc Engine	1	115
		18	21140103801	Bracket	1	2,8
		19	16814252010	Compressor Assembly	1	4,5
		20	21140104601	Tension Belt	1	0,3
		21	21140104501	Idler Pulley	1	0,4





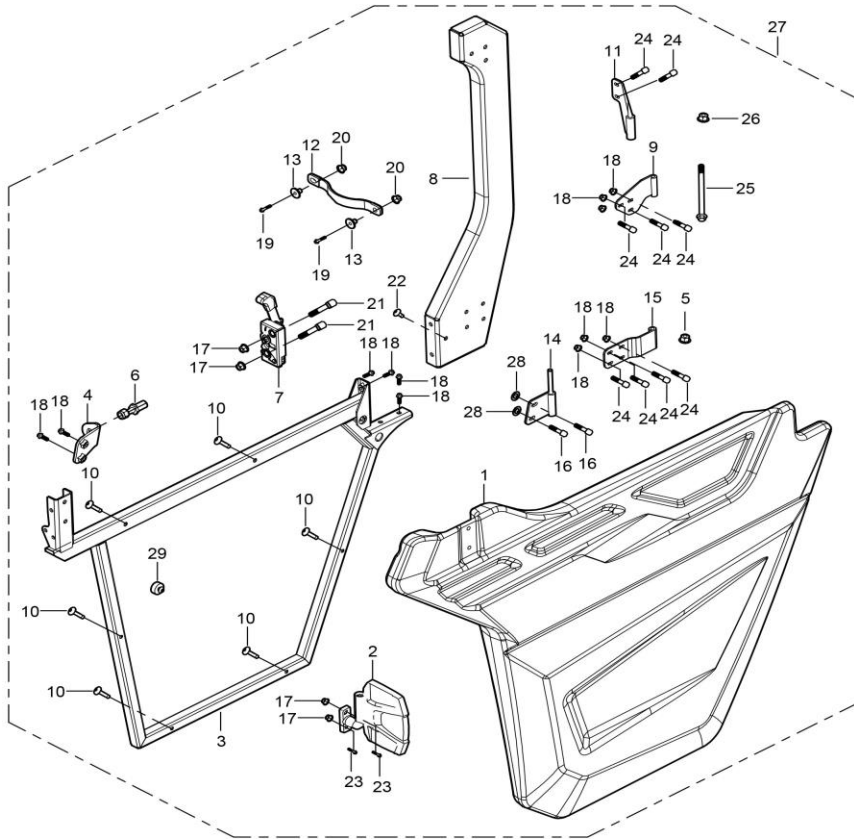
ITEM#	CODE	ENGLISH NAME	QTY	WEIGHTS (kg)
22	21140103701	Generator	1	5
23	21140104701	Belt Cover	1	1,2
24	17002110000	Engine Upper Hanging Bracket(Atv1000 Only)	1	0,25
25	21021100301	Engine Upper Hanging Bracket Rubber Boot	1	0,032
26	002-EN-1001	Buffer Body 1	2	0,2
27	21140209401	Hang Bracket, Driver Side	1	0,297
28	21140209501	Right Side Hang Bracket, Rh	1	0,297
29	06119091605	Washer $\phi 8.5 \times \phi 16 \times 1.5$	2	0,002
30	16809020130	Motor Charging Wire	1	0,12
31	16809010130	Starter Wire Harness	1	0,08
32	21140105101	Rear Bracket for Generator	1	0,23
33	16702110000	Engine Suspension (with Air Conditioning)	1	0,11
34	01225100256	Hex Flange Bolt M10x25x1.5	1	0,03
35				
36				
37				
38				
39				
40				
41				
42				
43				

DIAGRAM 2024 AODES FRONT DOOR DRIVER SIDE (2 Door) F24



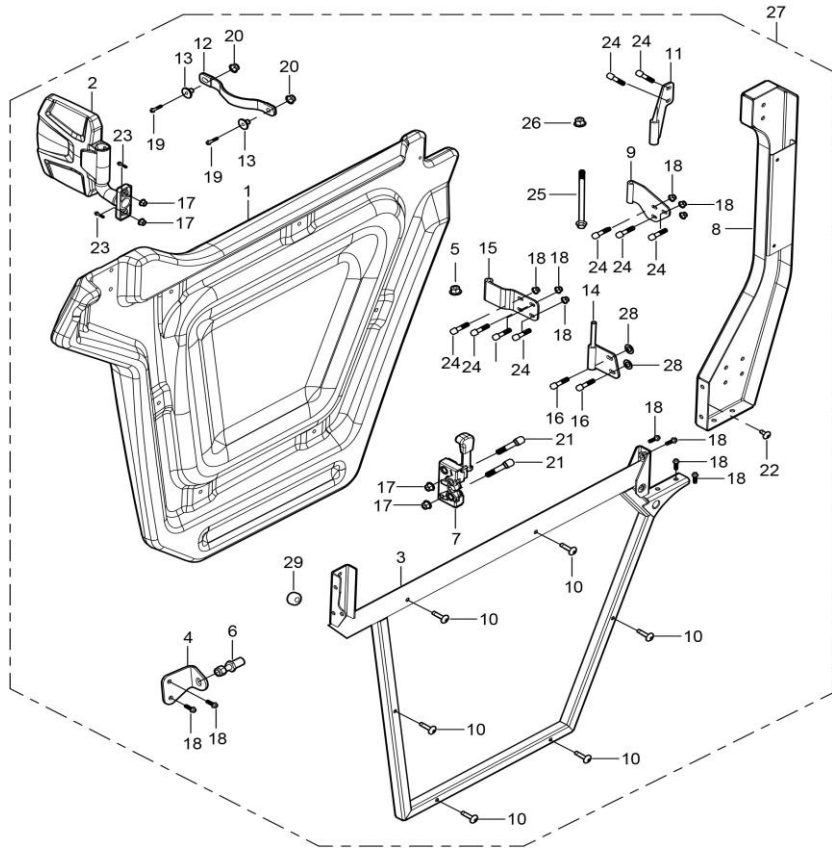
ITEM#	CODE	ENGLISH NAME	QTY	WEIGHTS (kg)
1	16710340150	Front Half Door (Driver Side)	1	4,1
2	15105140001	Rear View Mirror, Driver Side	1	0,4
3	16810340170	Front Half Door Bracket (Driver Side)	1	4,47
4	16810340510	Front Impact Mounting Plate (Driver Side)	1	0,232
5	04312100024	Hexagonal Cap Nut M10X1.25	1	0,015
6	16810340490	Door Striker	1	0,145
7	16810340080	Half Door Lock (Driver Side)	1	0,2
8	16810340220	Half Door Upper Fixed Bracket (Driver Side)	1	3,73
9	16810342020	Front Door Upper Dynamic Hinge (Front Upper Right)	1	0,47
10	03414060354	Inner Hexalobular Socket Pan Head Screws M6x35	6	0,008
11	16810342070	Rear Door Static Hinge (Rear Upper Left)	1	0,38
12	16810340300	Door Trim	1	0,036
13	10404140000	Hood Tie Strip Inner Bushing	2	0,01
14	16810342110	Rear Door Static Hinge (Rear Lower Left)	1	0,35
15	16810340030	Half Door Lower Hinge	1	0,58
16	01214080254	Hexagon Flange Head Bolt M8X25	2	0,014
17	04612080024	Hexagon Flange Locking Nut	11	0,008
18	01224080166	Hex Flange Bolt M8x16	6	0,013
19	03414060304	Inner Hexalobular Socket Pan Head Screws M6x30	2	0,009
20	04612060026	Hex Flange Locking Nut M6	2	0,004
21	03324080405	Sunk Head Screw M8x40	2	0,028
22	03414060124	Inner Hexagonalobular Socket Pan Head Screw M6x12 (Black)	1	0,006
23	03344080355	Countersunk Allen Screw M8X35	2	0,017

**DIAGRAM 2024 AODES FRONT DOOR DRIVER SIDE (2 Door) F24**



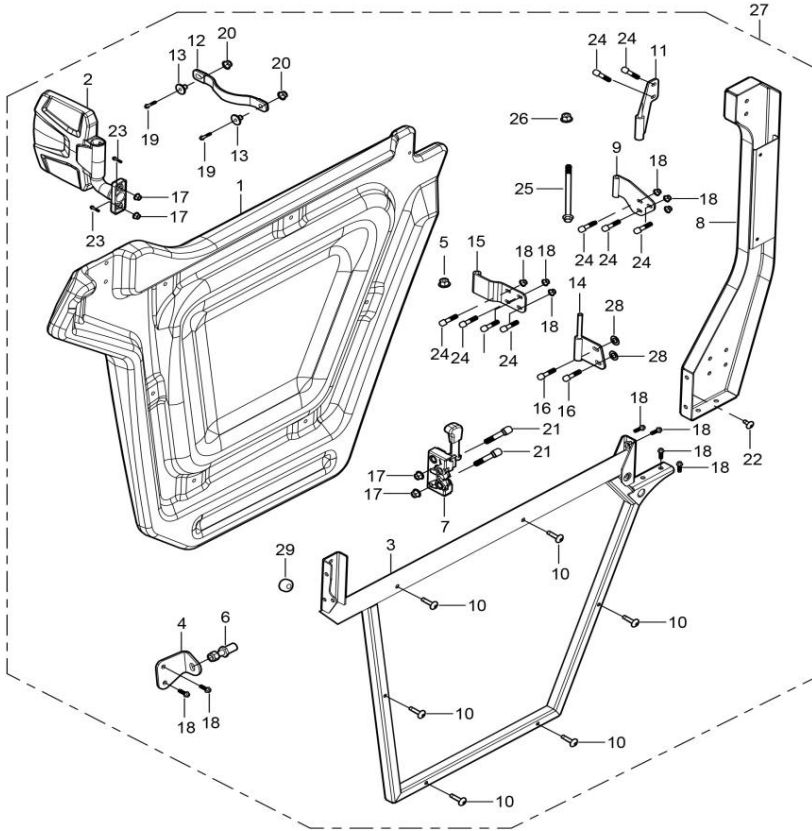
ITEM#	CODE	ENGLISH NAME	QTY	WEIGHTS (kg)
24	01214080204	Hex Flange Bolt M8X20	9	0,015
25	01214101554	Hex Flange Bolt M10x155x1.25	1	0,12
26	04612100024	Hex Flange Locking Nut M10x1.25	1	0,013
27	Z6710340150	Front Half Door Assembly (Driver Side)	1	
28	06119093005	Washer $\phi 20 \times \phi 8.5 \times 3$	2	0,009
29	16710340250	Half Door Rubber Pad	1	0,09
30				
31				
32				
33				
34				
35				
36				
37				
38				
39				
40				
41				
42				
43				
44				
45				
46				

DIAGRAM 2024 AODES FRONT DOOR PASSENGER SIDE (2 Door) F25



ITEM#	CODE	ENGLISH NAME	QTY	WEIGHTS (kg)
1	16710340160	Front Half Door (Passenger Side)	1	4,1
2	15105150001	Rear View Mirror, Passenger Side	1	0,4
3	16810340180	Front Half Door Bracket (Passenger Side)	1	4,47
4	16810340520	Front Impact Mounting Plate ( (Passenger Side)	1	0,232
5	04312100024	Hexagonal Cap Nut M10X1.25	1	0,015
6	16810340490	Door Striker	1	0,145
7	16810340090	Half Door Lock (Passenger Side)	1	0,2
8	16810340230	Half Door Upper Fixed Bracket (Passenger Side)	1	3,73
9	16810342010	Front Door Static Hinge (Front Upper Left)	1	0,47
10	16810342010	Front Door Static Hinge (Front Upper Left)	6	0,47
11	16810342080	Rear Door Static Hinge (Rear Upper Right)	1	0,38
12	16810340300	Door Trim	1	0,036
13	10404140000	Hood Tie Strip Inner Bushing	2	0,01
14	16810342120	Rear Door Static Hinge (Rear Lower Right)	1	0,35
15	16810340030	Half Door Lower Hinge	1	0,58
16	01214080254	Hexagon Flange Head Bolt M8X25	2	0,014
17	04612080024	Hexagon Flange Locking Nut	11	0,008
18	01224080166	Hex Flange Bolt M8x16	6	0,013
19	03414060304	Inner Hexalobular Socket Pan Head Screws M6x30	2	0,009
20	04612060026	Hex Flange Locking Nut M6	2	0,004
21	03324080405	Sunk Head Screw M8x40	2	0,028
22	03414060124	Inner Hexagonalobular Socket Pan Head Screw M6x12 (Black)	1	0,006
23	03344080355	Countersunk Allen Screw M8X35	2	0,017

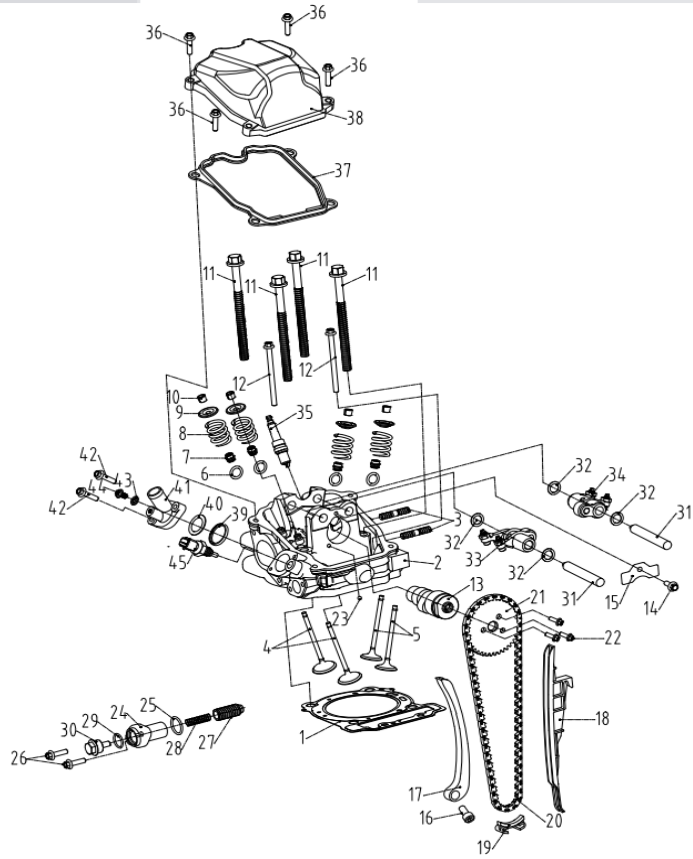
**DIAGRAM 2024 AODES FRONT DOOR PASSENGER SIDE (2 Door) F25**



ITEM#	CODE	ENGLISH NAME	QTY	WEIGHTS (kg)
24	01214080204	Hex Flange Bolt M8X20	9	0,015
25	01214101554	Hex Flange Bolt M10x155x1.25	1	0,12
26	04612100024	Hex Flange Locking Nut M10x1.25	1	0,013
27	Z6710340160	Front Half Door Assembly (Passenger Side)	1	16
28	06119093005	Washer $\phi 20 \times \phi 8.5 \times 3$	2	0,009
29	16710340250	Half Door Rubber Pad	1	0,09
30				
31				
32				
33				
34				
35				
36				
37				
38				
39				
40				
41				
42				
43				
44				
45				
46				

	ITEM#	CODE	ENGLISH NAME	QTY	WEIGHTS (kg)
	1	41000409106	Engine Assembly	1	115
	2	21140100003	Crankcase Assembly	1	45
	3	21140200000	Transmission Assembly	1	60

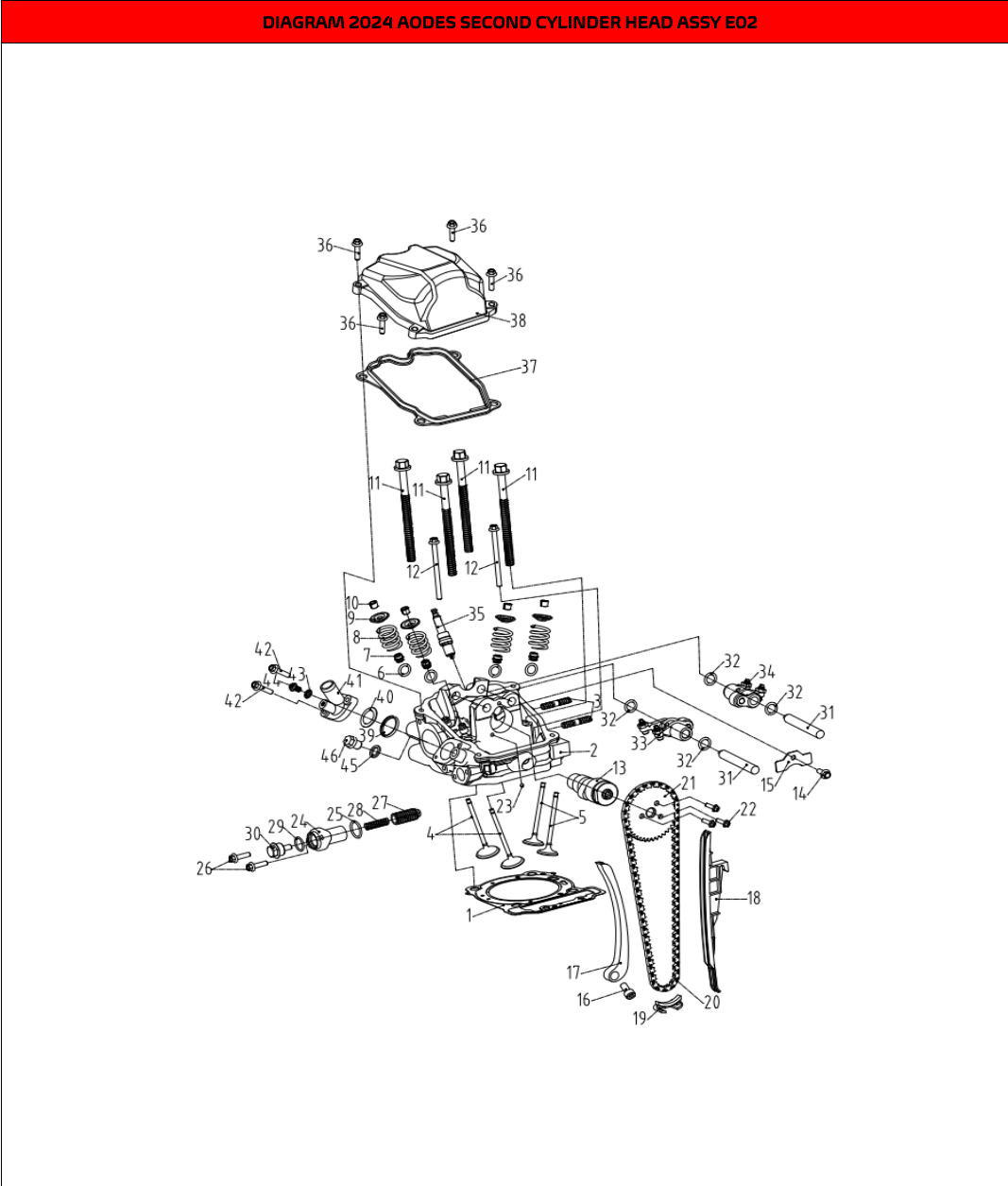
**DIAGRAM 2024 AODES FIRST CYLINDER HEAD ASSY E01**



ITEM#	CODE	ENGLISH NAME	QTY	WEIGHTS (kg)
1	21040100102	Cylinder Head Gasket	1	0,045
2	21140100201	Cylinder Head	1	2,3
3	21040100501	Stud M8x45	2	0,033
4	21040100701	Exhaust Valve,27 mm	2	0,071
5	21040100601	Intake Valve, 31 mm	2	0,062
6	21040100801	Thrust Washer	4	0,003
7	21040100901	Valve Stem Seal	4	0,001
8	21040101001	Valve Spring	4	0,032
9	21040101101	Valve Spring Retainer	4	0,011
10	21040101201	Cotter Valve	8	0,0001
11	21050101202	Screw M10x159	4	0,1
12	01214061051	Flanged Screw M6x105	2	0,02
13	21140100901	Camshaft	1	0,4
14	01224060161	Hex Flange Bolt 6x16	1	0,005
15	21040101601	Holding Strip	1	0,01
16	21040101701	Bearing Screw M6	1	0,011
17	21050102301	Chain Tension Guide	1	0,091
18	21050102401	Chain Guide	1	0,024
19	21040102001	Chain Guide	1	0,004
20	21050102601	Silent Chain	1	0,179
21	21050102701	Camshaft Sprocket, 42 Teeth	1	0,173
22	21050102801	Screw M6x12	3	0,004
23	21040100401	STEEL BALL	1	0,0001
24	21040102401	Chain Tensioner Housing	1	0,021
25	21040102501	O-Ring	1	0,0001
26	01224060221	Hex Flange Bolt 6x22	2	0,009
17	21040102601	Chain Tensioner Plunger	1	0,009

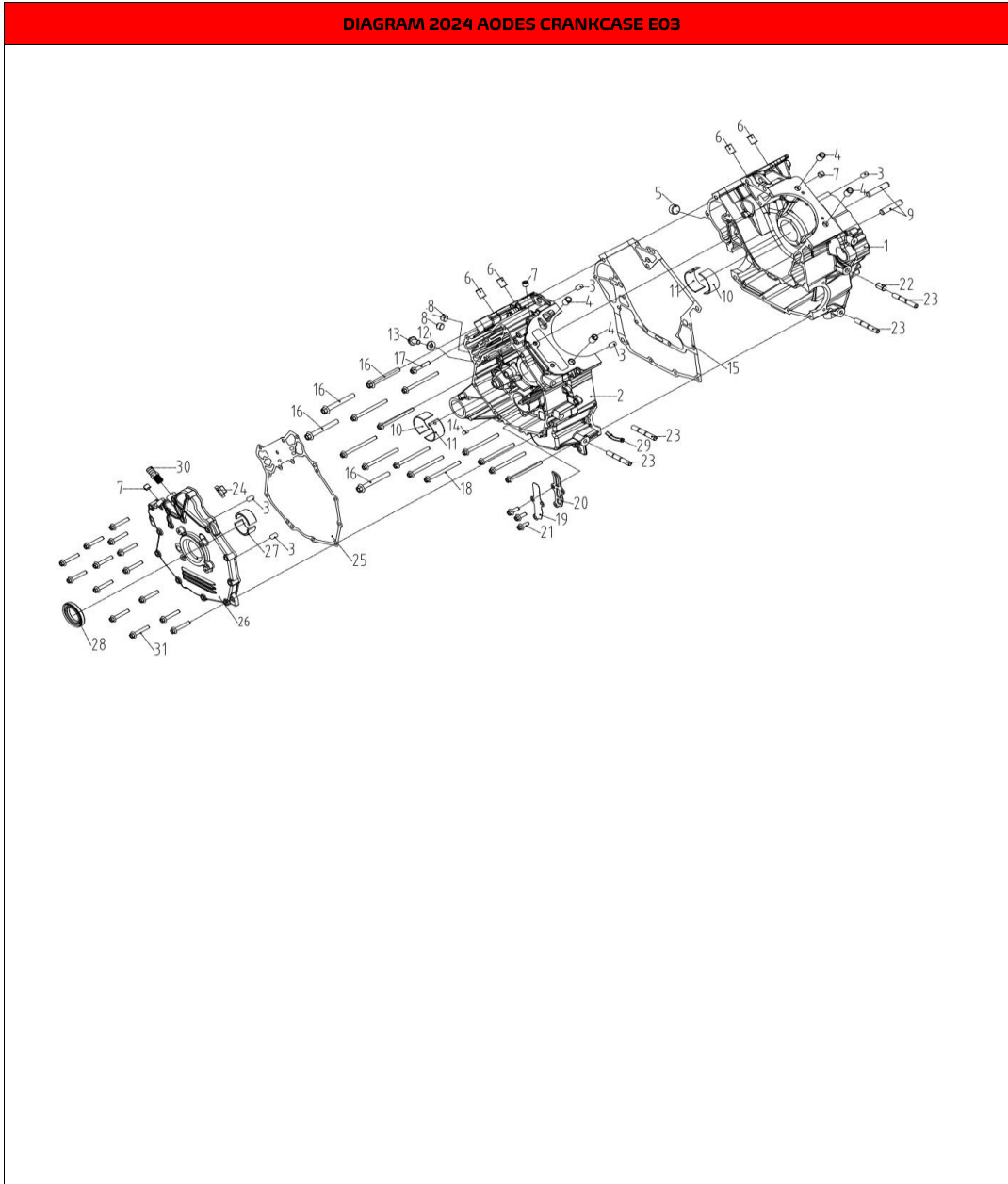


	18	21040102901	Spring	1	0,003
	19	21040102701	O-ring 17x2	1	0,0001
	30	21040102801	Plug Screw	1	0,006
	31	21040103101	Pin #12, Small	2	0,076
	32	21040103201	Flat Washer 18.6x12.4x0.5	4	0,0001
	33	21040103301	Rocker Arm Inlet	1	0,168
	34	21040103401	Rocker Arm Exhaust	1	0,163
	35	21040105101	Spark plug, DCPR7E	1	0,04
	36	21040103801	Valve cover gasket	1	0,036
	37	21040103901	Valve Cover	1	0,326
	38	01224060251	Hex Flange Bolt 6x25	4	0,007
	39	21040104201	Thermostat Gasket	1	0,001
	40	21040104101	Space washer	1	0,001
	41	21040104301	Thermostat Cover	1	0,042
	42	01224060251	Flanged Screw M6x25	2	0,007
	43	21040117001	Gasket ring 6	1	0,00001
	44	21040104401	Screw M6x10	1	0,002
	45	21040103001	Water temperature sensor	1	0,021
	45	21040103002	Water temperature sensor	1	0,021



ITEM#	CODE	ENGLISH NAME	QTY	WEIGHTS (kg)
1	21040100102	Cylinder Head Gasket	1	0,045
2	21140100201	Cylinder Front	1	2,3
3	21040100501	Stud M8x45	2	0,033
4	21040100701	Exhaust valve 27	2	0,071
5	21040100601	Inlet valve, 31	2	0,062
6	21040100801	Thrust Washer	4	0,003
7	21040100901	Valve Stem Seal	4	0,001
8	21040101001	Valve Spring	4	0,032
9	21040101101	Valve Spring Retainer	4	0,011
10	21040101201	Cotter Valve	8	0,0001
11	21050101202	Screw M10x159	4	0,1
12	01214061051	Flanged Screw M6x105	2	0,02
13	21140101001	Camshaft	1	0,4
14	01224060161	Hex Flange Bolt 6x16	1	0,005
15	21040101601	Holding Strip	1	0,01
16	21040101701	Bearing Screw M6	1	0,011
17	21050102301	Chain Tension Guide	1	0,091
18	21050102401	Chain Guide	1	0,024
19	21040102001	Chain Guide	1	0,004
20	21050102601	Silent Chain	1	0,179
21	21050102701	Camshaft Sprocket, 42 Teeth	1	0,173
22	21050102801	Screw M6x12	3	0,004
23	21040100401	STEEL BALL	1	0,0001
24	21040102401	Chain Tensioner Housing	1	0,021
25	21040102501	O-Ring	1	0,0001
26	01224060221	Flanged Screw M6x25	2	0,009
27	21040102601	Chain Tensioner Plunger	1	0,009

	28	21040102901	Spring	1	0,003
	29	21040102701	O-Ring	1	0,0001
	30	21040102801	Plug Screw	1	0,006
	31	21040103101	Pin #12, Small	2	0,076
	32	21040103201	Flat Washer 18.6x12.4x0.5	4	0,0001
	33	21040103301	Rocker Arm Inlet	1	0,168
	34	21040103401	Rocker Arm Exhaust	1	0,163
	35	21040105101	Spark Plug	1	0,04
	36	21040103801	Valve Cover gasket	1	0,036
	37	21040103901	Valve Cover	1	0,326
	38	01224060251	Hex Flange Bolt 6x25	4	0,007
	39	21040104201	Thermostat Gasket	1	0,001
	40	21040104101	Space washer	1	0,001
	41	21040104301	Thermostat Cover	1	0,042
	42	01224060251	Flanged Screw M6x25	2	0,007
	43	21040117001	Gasket ring 6	1	0,00001
	44	21040104401	Screw M6x10	1	0,002
	45	21040104701	Copper washer 18x12.4x2	1	0,002
	46	21040104801	Plug Screw M12x1.5	1	0,02

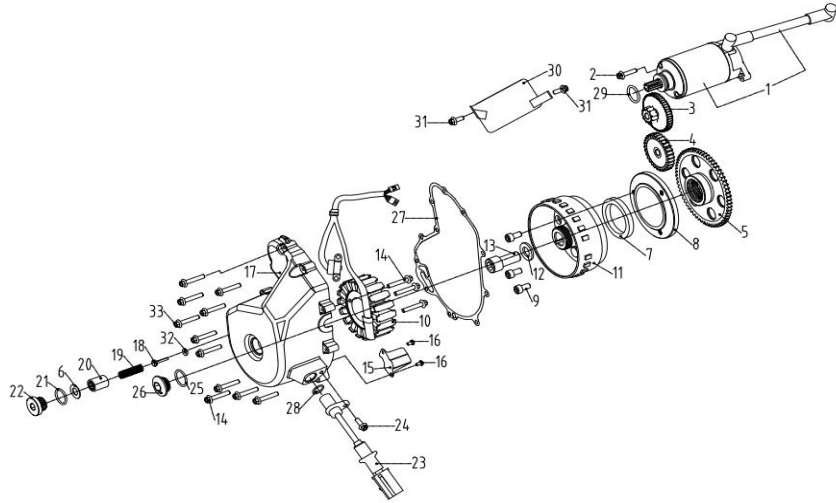


ITEM#	CODE	ENGLISH NAME	QTY	WEIGHTS (kg)
1	21050300102	RIGHT CRANKCASE	1	4,65
2	21050300201	LEFT CRANKCASE	1	4,8
3	21040105401	Center Pin 8x12	5	0,004
4	21040105502	Drive Pin 5x11	4	0,002
5	21040105601	Plug Screw NPT 1/2	1	0,02
6	90101120650	Insert pin 10*1.5-17K	8	0,005
7	21040105701	Plug Screw NPT 1/8	3	0,0035
8	21040105801	Plug Screw NPT 1/4	2	0,008
9	21040105901	Location Pin	4	0,03
10	21040106001	Plain Bearing	2	0,025
10	21040106002	Plain Bearing	2	0,025
11	21040106101	Plain Bearing	2	0,025
11	21040106102	Plain Bearing	2	0,025
12	21040107401	Sealing ring $\Phi$ 8	1	0,001
13	01224080161	Flanged Screw M8x16	1	0,011
14	21040106301	Needle pin 6x10	1	0,002
15	21050301601	Gasket	1	0,014
16	01214080651	Flanged Screw M8x65	4	0,025
17	01224060251	Flanged Screw M6x25	2	0,007
18	01214060751	Flanged Screw M6x75	13	0,015
19	21040106501	Valve Plate	1	0,001
20	21040106601	Reed Valve Stop	1	0,019
21	01224060161	Flanged Screw M6x16	3	0,005
22	21040116001	Dowel Pin 10x16	1	0,003
23	21050301301	Stud M8x69	4	0,022
24	21050302411	Slip insert	1	0,014
25	21040106901	Gasket	1	0,008

	26	21050302400	PTO Cover Ass'y	1	0,955
	27	21040107101	Bearing Sleeve	2	0,015
	27	21040107102	Bearing Sleeve	2	0,015
	28	21040107301	Oil seal 34x52x8	1	0,021
	29	21050301211	Insert pin	1	0,006
	30	21040107201	Hose Nipple NPT1/4	1	0,021
	31	01224060351	Flanged Torx Screw M6x35	14	0,009

DIAGRAM 2024 AODES CRANSHAFT PISTON& CYLINDER E04		ITEM#	CODE	ENGLISH NAME	QTY	WEIGHTS (kg)
		1	21140100102	Crankshaft	1	5,5
		2	21040107701	Woodruff Key 4x5	1	0,0013
		3	21050400200	Connecting Rod Ass'y	2	0,393
		4	21050400231	Connecting Rod Screw M9x1/45	4	0,026
		5	21050400501	Plain Bearing	4	0,014
		5	21050400502	Plain Bearing	4	0,014
		6	21140100601	Piston Ass'y, 90.55 mm	2	0,33
		7	21040108301	First Piston Ring	2	0,008
		8	21040108401	Second Piston Ring	2	0,011
		9	21040108501	Scraper Ring	4	0,0017
		10	21040108601	Oil Ring	2	0,003
		11	21050400801	Piston Pin	2	0,089
		12	21050400901	Piston Circlip	4	0,001
		13	21140101101	Gasket	2	0,013
		14	21050401101	Cylinder With Sleeve, Front	1	2,24
		14	21050401102	Cylinder With Sleeve, Front	1	2,24
		15	21050401201	Cylinder With Sleeve, Rear	1	2,24
		15	21050401202	Cylinder With Sleeve, Rear	1	2,24
16	21040105502	Drive Pin 5x11	4	0,002		
17	21041000301	Flat key 5x20	1	0,01		
18	21041000601	Plug Screw 10x1	1	0,02		

DIAGRAM 2024 AODES MEGNETO E05



ITEM#	CODE	ENGLISH NAME	QTY	WEIGHTS (kg)
1	21040109116	Starter Ass'y	1	2,094
2	02224080251	Hex Flange Bolt 8x25	1	0,014
3	21040109201	Double gear 49T/11T	1	0,191
4	21040109301	Gear, 30 Teeth	1	0,156
5	21040109401	Free Wheel Gear, 60 Teeth	1	0,488
6	21040205801	O-ring 20x12.5x1	2	0,0015
7	21040109501	Sprag Clutch	1	0,088
8	21040109601	Sprag Clutch Housing	1	0,477
9	03344080161	Flanged Screw M8x16	3	0,012
10	21040109702	Stator Plate	1	1,308
11	21041000701	Flywheel	1	1,682
12	21040109901	Shim 30x16.5x3	1	0,011
13	03344160357	Socket head screw 16x35	1	0,085
14	01224060351	Flanged Screw M6x35	3	0,009
15	21040110101	Cable Inner Cover	1	0,012
16	03113040081	Screw M4x8	2	0,001
17	22040110201	Cover	1	1,169
18	21040110401	Pressure Relief Valve	1	0,005
19	21040110501	Compression Spring	1	0,002
20	21040110601	Housing Valve	1	0,008
21	21040500601	O-ring φ22.5x2.7	1	0,0006
22	21040110801	Screw plug 22x1.5	1	0,059
23	21040110901	CrankshaftPosition Sensor Ass'y	1	0,058
24	01224060161	Hexagon Flange Bolt 6x16	1	0,005
25	21040111201	Screw Plug	1	0,005
26	21040111001	O-ring 16x2	1	0,00038
27	21040111301	Gasket	1	0,001



	28	21040111101	O-Ring	1	0,001
	29	21040109118	O-ring 23.8x3.1	1	0,00089
	30	21140101301	Starter motor insulating plate	1	0,1073
	31	01224060161	Hexagon Flange Bolt 6x16	1	0,005
	32	21040110301	CUSHION	1	0,0003
	33	01224060351	Flanged Torx Screw M6x35	11	0,009

DIAGRAM 2024 AODES ENGINE LUBRICATION E06		ITEM#	CODE	ENGLISH NAME	QTY	WEIGHTS (kg)
	1	21050600101	O-ring 24x18x1 copper	1	0,0015	
	2	21050600202	Drain Plug M18x1.5	1	0,033	
	3	21040111401	Oil Filter	1	0,007	
	4	21050904801	Cover Sieve	1	0,021	
	5	01223050161	Hex Flange Bolt 5x16	2	0,004	
	6	21040111601	Oil filter	1	0,063	
	7	21040116901	O-ring 61.5x2.65	1	0,0012	
	8	21040111801	Oil Filter Cover	1	0,085	
	9	21140106901	Hex Flange Screw M6x18	3	0,006	
	10	21040111901	Oil Pressure Switch	1	0,031	
	11	21140102101	Oil Dipstick	1	0,025	
	13	21040516601	Bearing pin	1	0,03	
	14	09360006200	Ball Bearing 6200-2RZ	1	0,032	
	15	21050602212	Idle Gea 28 Teeth	1	0,02	
	16	21050602221	Oil seal 15x26x7	1	0,006	
	17	21040112501	Oil Pump outer Rotor	1	0,026	
	18	21040112601	Oil Pump inner Rotor	1	0,048	
	19	21040112801	Oil Pump Shaft	1	0,028	
	20	21040112901	Oil Pump Cover	1	0,042	
	21	03424050161	Screw M5x16	3	0,002	
	22	21040113001	Thrust Washer	1	0,0011	
	23	21040113101	Needle Pin	1	0,003	
	24	21040113202	Oil Pump Gear, 33 Teeth	1	0,021	
	25	07021101004	Snap ring 10	1	0,0004	
	26	21040113402	Idle Gear, 38	1	0,033	
	27	21040112701	Needle pin 4x16	1	0,0015	
	28	21040112001	O-Ring	1	0,001	

	29	21140101801	Screwed plug M8x8	2	0,0058
	30	21140101901	Copper Washer $\phi 12.9 \times \phi 8.1 \times 1$	2	0,0006
	31	21050601101	Oil Seal	2	0,0016
	32	21140102601	Oil Radiator	1	0,245
	33	01214060502	Hex Flange Bolt 6x50	4	0,005
	34	21140102501	Fuel radiator base	1	0,25
	35	21140106801	Fuel pipe joint	1	0,005
	37	21040105701	Plug Screw Npt 1/8	1	0,0035
	38	21140403301	Oil cooler pipe (with joint)	1	1

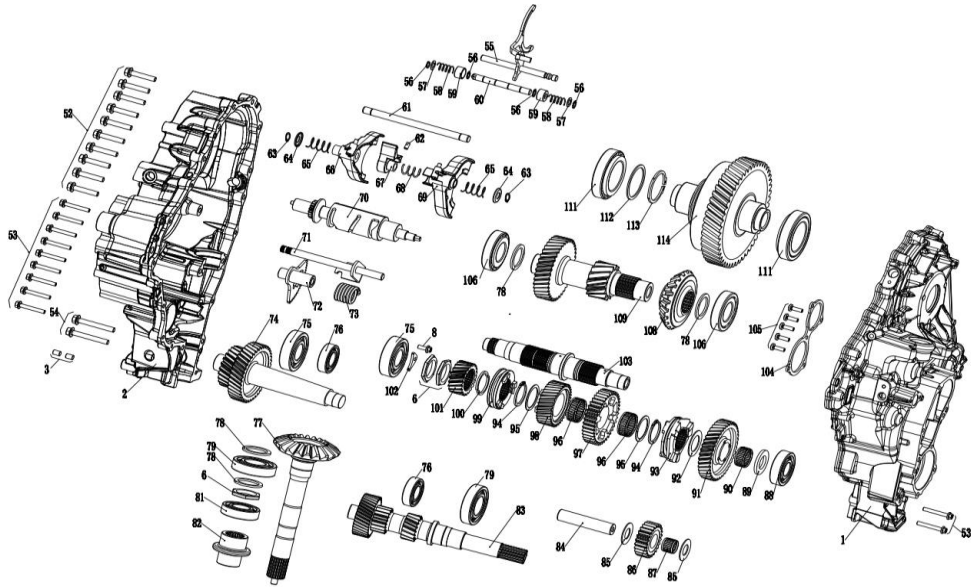
DIAGRAM 2024 AODES ENGINE COOLING E07		ITEM#	CODE	ENGLISH NAME	QTY	WEIGHTS (kg)
	1	21040113501	Intermediate Shaft	1	0,099	
	2	21040113001	Thrust Washer	2	0,0011	
	3	21040113602	Water pump gear z=20	1	0,009	
	4	21040113701	Needle pin 4x20	3	0,002	
	5	21040113802	Pump Gear,15 Teeth	2	0,009	
	6	07021101004	Snap ring 10	2	0,0004	
	7	21040113901	Rotary Seal	1	0,018	
	8	21040114001	Water Pump Shaft	1	0,044	
	9	21140100701	Water Impeller	1	0,012	
	10	21140100401	Water Pump Housing	1	0,183	
	11	21140100501	Gasket	1	0,0025	
	12	06150061201	Gasket ring 6	1	0,00001	
	13	01224060251	Flanged Screw M6x25	4	0,007	
	14	21140101401	Rubber cap	1	0,0029	

DIAGRAM 2024 AODES CVT TRANSMISSION E08		ITEM#	CODE	ENGLISH NAME	QTY	WEIGHTS (kg)
		1	21051000101	Drive Shaft	1	1,038
		2	21040206101	DRIVE SHAFT CHECK RING	1	0,0014
		3	21040115501	Bearing Cover	1	0,074
		4	09160061906	Ball bearing 6906	1	0,05
		5	21040115701	Oil seal 30x47x7	1	0,012
		6	21140102201	O-Ring φ53.5x2.15	1	0,0008
		7	09160006005	Ball bearing 6005	1	0,079
		8	21040116101	Oil seal 25x47x7	1	0,015
		9	21040116201	GGASKET	2	0,001
		10	01224060161	Flanged Torx ScrewM6x16	6	0,005
		11	07011470001	C-clamp 47	1	0,006
		12	21140100302	Bearing Cover	1	0,1103
		11	21140102101	O-Ring φ54.4x1.6	1	0,025
		13	21040206402	Transmission transition housing	1	0,644
		14	060214291235	Washer 29.5x12.5x3.5	1	0,014
15	21051001501	Bolt 12x1.25x25	1	0,039		

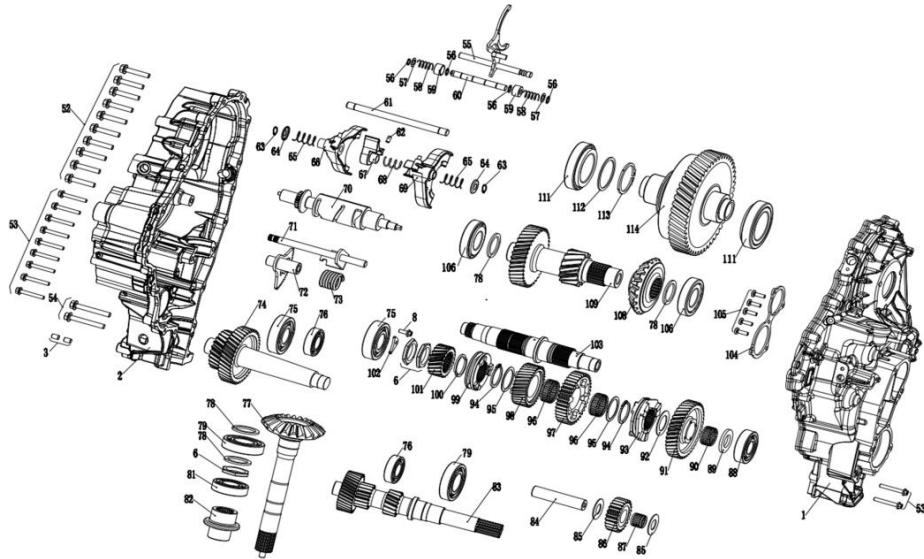
DIAGRAM 2024 AODES INTAKE MANFOLD&THROTTLE E09		ITEM#	CODE	ENGLISH NAME	QTY	WEIGHTS (kg)
		1	21140103501	Air Intake Manifold	1	0,8049
		2	21040114501	Gasket	2	0,0015
		3	01214080451	Hex Flange Bolt 8x45	4	0,014
		4	21170103001	Injection Valve Cap	1	0,055
		5	21040114601	Pressure And Temperature Sensor	1	0,026
		6	01224060161	Hex Flange Bolt 6x16	1	0,005
		7	06222061704	Washer 6x17	1	0,002
		8	21140105201	Intake Neck	1	0,337
		9	21140106501	Clamp 52-76	2	0,022
		10	21140103301	Throttle Body	1	0,648
		11	21040114901	Fuel injector	2	0,033
		12	21040115103	Injection Valve Cap	1	0,055
		13	01224060161	Hex Flange Bolt 6x16	5	0,005
		14	21140105601	Transmission heat shield	1	0,1073
		15	01224080122	Hex Flange Bolt M8x12	1	0,005
		16	21040402401	Wire holder	1	0,011
		17	21140105401	Engine Exhaust Pipe	1	0,05
		18	21040403801	Steel clamp	1	0,001
		22	21040206301	Anti-Vibration Mount	2	0,066

DIAGRAM 2024 AODES GEAR BOX 1 E10		ITEM#	CODE	ENGLISH NAME	QTY	WEIGHTS (kg)
		1	21140207101	Gearbox Ass'y.	1	6,05
		2	21140207201	Gearbox Ass'y.	1	5,95
		3	21040105401	Center Pin 8 X 12	6	0,004
		4	01314060252	Flanged Torx Screw M6x25	23	0,0086
		5	21140208401	Bearing Cover	1	0,3529
		6	21140203102	Hex. Nut M34	4	0,04
		7	21140206502	Hex. Nut M24	2	0,0312
		8	01224060161	Flanged Torx Screw M6 X 16	4	0,005
		9	21140200502	Angle Rotation Sensor	1	0,0198
		10	21040102701	O-Ring	1	0,0001
		11	21140200401	Oil Seal	1	0,0021
		12	21140200101	Oil Seal	2	0,013
		13	01224060301	Flanged Torx Screw M6 X 30	1	0,008
		14	21140206001	Copper Washer φ6	1	0,0007
		15	21140205901	Spring	1	0,0007
		16	21140205801	Ball	1	0,0004
		17	21050904211	O-ring 13x1.9	1	0,0001
		18	21050904201	Speed Sensor	1	0,034
		19	21140209401	Hang bracket, LH	1	0,2976
		20	01225080251	Hex Flange Bolt 8x25	6	0,014
		21	21140209501	Hang bracket, RH	1	0,2976
		22	21140201101	Copper Washer φ22xφ16x1.5	1	0,0021
		23	21140201201	Plug Screw M16 X 1.5	1	0,0225
		24	21140201001	Needle Pin.	1	0,0011
		25	21160102801	O-Ring	1	0,001
		26	21140200602	Servomotor.Cover.	1	0,0691

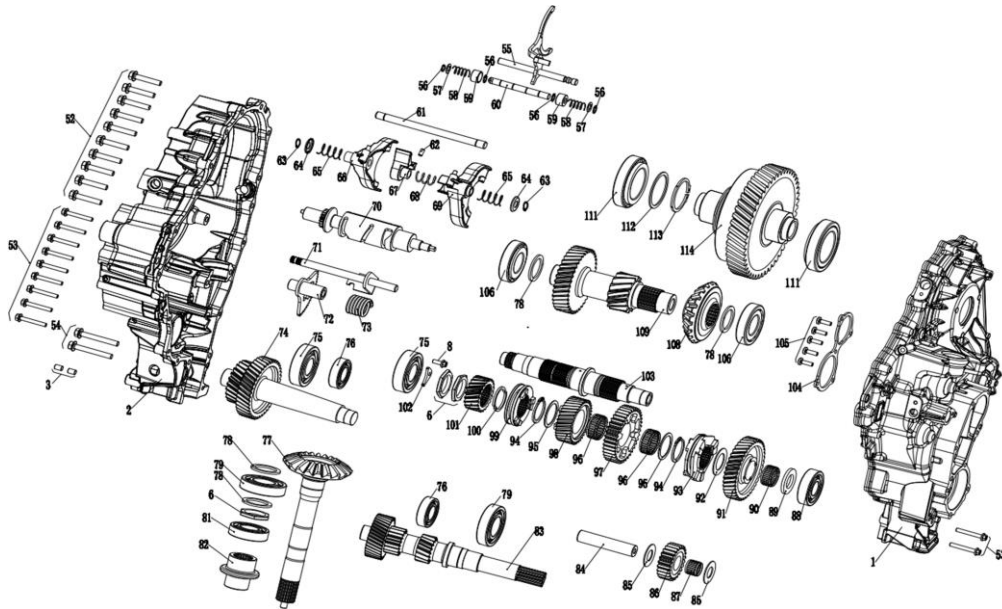




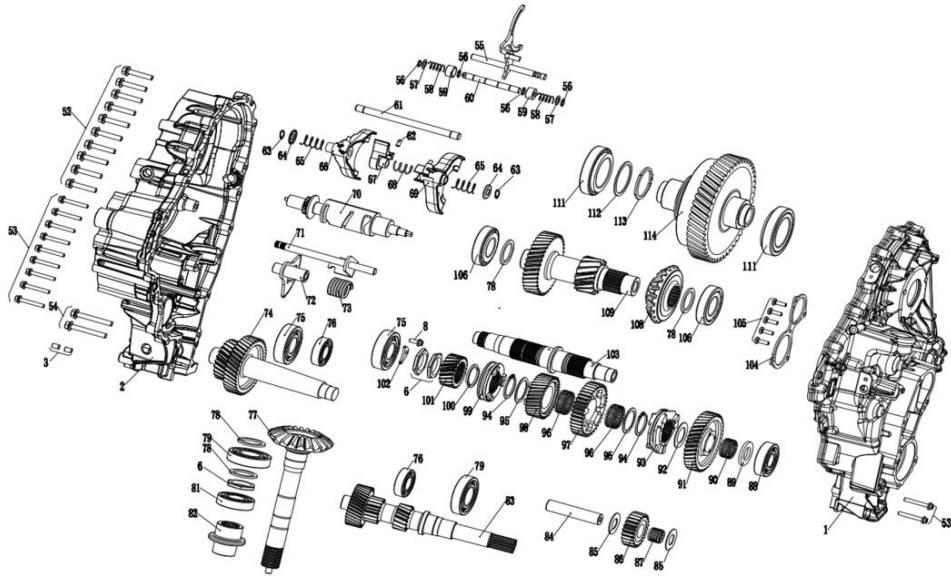
27	21140200901	Shim	2	0,0003
28	03344050141	Hexagon socket screw M5x14	2	0,0042
29	01224060201	Flanged Torx Screw M6 X 20	3	0,005
30	21040203601	Washer	1	0,004
31	21050909401	Index Lever Ass'y	1	0,018
32	21040203401	Step Ring	1	0,003
33	21140208601	Spring	1	0,01
34	21040200701	Oil Seal	1	0,008
35	21050905901	Breather pipe	1	0,006
36	21050905603	Rocker arm	1	0,058
37	01224060281	Flanged Torx Screw M6 X 28	1	0,0105
38	04633060023	Hex. Nut M6	1	0,005
39	21140208501	Index Washer	1	0,1246
40	21140209201	Gasket	1	0,0028
41	21140209301	Gearbox Cover	1	0,3703
42	21140209102	Nut	1	0,0186
43	21140209001	Spring Washer	1	0,0149
44	21140208902	Gear	1	0,2086
45	21140208801	Needle Pin	1	0,0338
46	21140208701	Parking Lock Lever	1	0,0973
47	21140200301	Oil Dipstick	1	0,0143
48	21040112001	O-Ring	1	0,001
49	21040115801	O-ring 47x2	1	0,00062
50	21140210301	Position Switch	1	0,12
51	21140210202	Actuator Ass'y	1	0,32
52	01314080451	Flanged Torx Screw M8 X 45	10	0,0245
53	01314060451	Flanged Torx Screw M6 X 45	11	0,0128



54	01314080651	Flanged Torx Screw M8 X 65	2	0,0321
55	21140205201	Shift Fork Ass'y	1	0,175
56	07021101004	Circlip $\phi 10$	4	0,0004
57	21040113001	Thrust Washer	2	0,0011
58	21140205601	Spring	2	0,0022
59	21140205501	Distance Sleeve	2	0,0102
60	21140205301	Fork Spindle	1	0,061
61	21140203801	Fork Spindle.	1	0,167
62	21140209801	Location pin	1	0,004
63	07021121004	Retaining Ring	2	0,0005
64	21140204401	Spring Seat	2	0,004
65	21140204301	Spring	2	0,0041
66	21140204101	Shift Fork Ass'y	1	0,1433
67	21140203901	Shift Bloc Ass'y	1	0,1338
68	21140204001	Ressort	1	0,0075
69	21140204201	Shift Fork Ass'y	1	0,105
70	21140203701	Shift Drum Ass'y.	1	1,4673
71	21140204801	Switch Shaft	1	0,2267
72	21140204601	Toothed Segment	1	0,1763
73	21140204701	Hairpin Valve Spring	1	0,0968
74	21140203203	Intermediate Shaft Ass'y	1	2,6
75	21140207901	Ball Bearing	2	0,3284
76	21140207601	Ball Bearing 6205	2	0,1198
77	21140206201	Bevel Gear Set	1	2,4
78	21140206303	Adjusting shim $\phi 47 \times \phi 35.5 \times 2.3$	4	0,0122
	21140206304	Adjusting shim $\phi 47 \times \phi 35.5 \times 2.4$		0,0126
	21140206305	Adjusting shim $\phi 47 \times \phi 35.5 \times 2.5$		0,0132

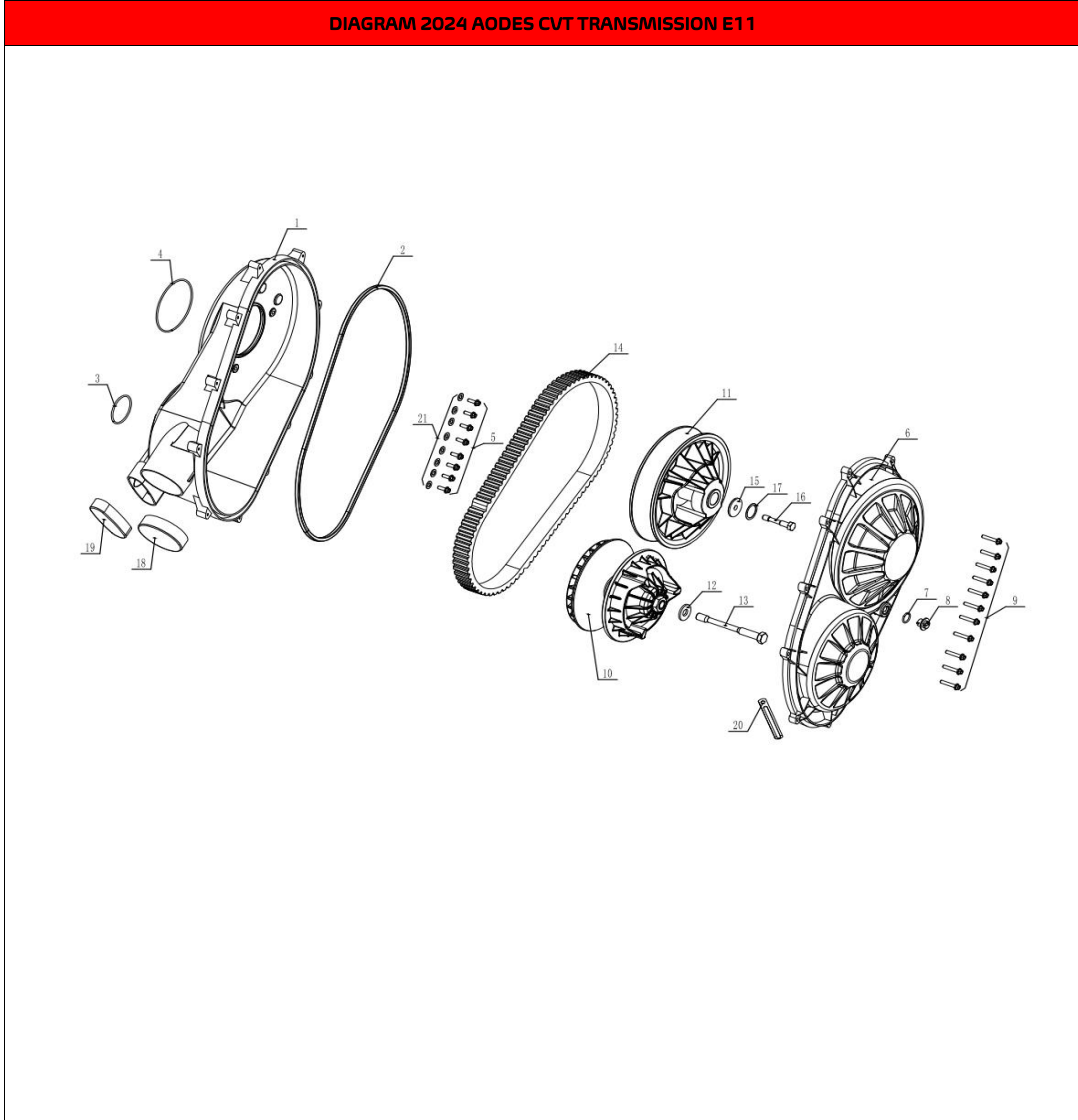


	21140206306	Adjusting shim $\phi 47 \times \phi 35.5 \times 2.6$		0,0141
	21140206307	Adjusting shim $\phi 47 \times \phi 35.5 \times 2.7$		0,0143
	21140206309	Adjusting shim $\phi 47 \times \phi 35.5 \times 2.75$		0,0147
	21140206308	Adjusting shim $\phi 47 \times \phi 35.5 \times 2.8$		0,0153
	21140206301	Adjusting shim $\phi 47 \times \phi 35.5 \times 2.85$		0,0156
	21140206311	Adjusting shim $\phi 47 \times \phi 35.5 \times 2.9$		0,0158
	21140206321	Adjusting shim $\phi 47 \times \phi 35.5 \times 2.95$		0,016
	21140206331	Adjusting shim $\phi 47 \times \phi 35.5 \times 3.0$		0,0161
	21140206341	Adjusting shim $\phi 47 \times \phi 35.5 \times 3.05$		0,0165
	21140206351	Adjusting shim $\phi 47 \times \phi 35.5 \times 3.1$		0,0168
	21140206361	Adjusting shim $\phi 47 \times \phi 35.5 \times 3.2$		0,0172
	21140206371	Adjusting shim $\phi 47 \times \phi 35.5 \times 3.3$		0,0177
	21140206381	Adjusting shim $\phi 47 \times \phi 35.5 \times 3.4$		0,018
	21140206391	Adjusting shim $\phi 47 \times \phi 35.5 \times 3.5$		0,0185
79	21140207401	Ball Bearing	2	0,2831
80	04112080021	Hex. Nut M8	4	0,007
81	09160006206	Ball Bearing	1	0,198
82	21140206703	Shifting Sleeve Kit	1	0,6997
83	21140201603	Countershaft Ass'y	1	2,45
84	21140203301	Intermediate Gear Shaft Ass'y	1	0,1968
85	21140203401	Intermediate Shaft Ass'y	2	0,0106
86	21140203502	Intermediate Gear, 24 Teeth	1	0,3395
87	21140203601	Needle Cage	1	0,0194
88	21140207501	Ball Bearing	1	0,2299
89	21140202701	Thrust Washer	1	0,0123
90	21140202601	Needle Cage	1	0,019
91	21140202502	Gear Pinion, 39 Teeth	1	0,8215



92	21140202401	Thrust Washer	1	0,0372
93	21140202302	Shifting Sleeve	1	0,287
94	21140202201	Retaining Ring	2	0,0072
95	21140202101	Thrust Washer	2	0,0072
96	21140202001	Needle Cage	2	0,0293
97	21140201902	Gear Pinion, 39 Teeth	1	0,6281
98	21140201802	Gear Pinion, 38 Teeth	1	0,5408
99	21140202802	Shifting Sleeve	1	0,4096
100	21140202901	Half-Ring	2	0,0042
101	21140203002	Intermediate Gear, 21 Teeth	1	0,2289
102	21040203001	BEARING SET PLATE	1	0,01
103	21140201702	Main Shaft.	1	1,396
104	21140207701	Retaining Plate	1	0,0604
105	21140207801	Flanged Torx Screw M6 X 20	5	0,0064
106	21050907321	Roller Bearing	2	0,667
107	21140102901	Hose Clamp $\phi$ 10.5	1	0,001
108	21140206501	Drive bevel gear	1	1,1103
109	21140206102	Pinion Drive Shaft Ass.	1	3,55
110	21140102701	Pipe	1	0,03
111	21140208101	Ball Bearing.	2	0,57
112	21140205001	Retaining Ring	1	0,0183
113	21140205151	Adjusting shim $\phi$ 65 $\times$ $\phi$ 55.3 $\times$ 2.0	1	0,0128
	21140205161	Adjusting shim $\phi$ 65 $\times$ $\phi$ 55.3 $\times$ 2.1		0,0136
	21140205131	Adjusting shim $\phi$ 65 $\times$ $\phi$ 55.3 $\times$ 2.2		0,0148
	21140205141	Adjusting shim $\phi$ 65 $\times$ $\phi$ 55.3 $\times$ 2.3		0,0154
	21140205101	Adjusting shim $\phi$ 65 $\times$ $\phi$ 55.3 $\times$ 2.4		0,0156
	21140205111	Adjusting shim $\phi$ 65 $\times$ $\phi$ 55.3 $\times$ 2.5		0,016
	21140205121	Adjusting shim $\phi$ 65 $\times$ $\phi$ 55.3 $\times$ 2.6		0,0173

	114	21140204901	Gearbox Ass'y	1	9,35
	115	21050600101	O-ring 24x18x1 copper	1	0,0015
	116	21050600202	Drain Plug M18 X 1.5	1	0,033
	117	21040201801	SEAL-OIL 32x47x7	1	0,014



ITEM#	CODE	ENGLISH NAME	QTY	WEIGHTS (kg)
1	21140300101	CVT Air Guide	1	1,45
2	21140300201	Gasket	1	0,061
3	21040300201	O-Ring	1	0,0017
4	21140300301	O-Ring	1	0,0026
5	01314060181	Hex.Screw M6 X 18	8	0,0075
6	21140300401	Variator Cover	1	1,7
7	21140300501	O-Ring	1	0,0004
8	21140300601	Cap	1	0,005
9	01314060351	Hex.Screw M6 X 35	11	0,0105
10	21140301401	Driving Wheel Assembly	1	3,85
10	21140302001	Driving Wheel Assembly	1	3,85
11	21140301501	Driven Wheel Assembly	1	3,75
11	21140302101	Driven Wheel Assembly	1	3,75
12	21140300901	Spring Washer	1	0,0194
13	21140301001	Hexagonal Screw M14X 165	1	0,1521
14	21140301101	Drive Belt	1	0,4
14	21140301102	Drive Belt	1	0,4
15	21140301201	Collar Washer	1	0,0363
16	21140301301	Hexagonal Screw M10X 61	1	0,0369
17	21140300801	Adjusting shim $\phi 35 \times \phi 27.4 \times 0.5$	1	0,0013
18	21140301601	Rubber cap(big)	1	0,0191
19	21140301701	Rubber cap(small)	1	0,0135
20	21040402401	Wire holder	1	0,011
21	06112081601	Iron washer	8	0,004

DIAGRAM 2024 AODES TOOL KITS E12		ITEM#	CODE	ENGLISH NAME	QTY	WEIGHTS (kg)
	1	2104040000	Diagnostic Tool-Delphi	1	0,305	
	2	2104040001	Diagnostic Tool (Write Program )-Delphi	1	0,305	
	3	90101010640	Flywheel Puller	1	0,225	
		90101010750	Flywheel Puller Rod	1	0,102	
		90101010650	Crankshaft Protector	1	0,18	
	4	90103050079	Retaining tool	1	0,663	
	5	90801011846	Retaining tool	1	0,528	
	6	90101010710	Drive Wheel Puller	1	0,316	
	7	90801011800	Driven Wheel Puller	1	0,108	
	8	90801010527	Water Seal Tool Support Plate	1	0,404	
		90801010529	Bolt M20	1	0,169	
		90801010528	Water Seal Tool Base	1	0,289	
		90801010496	Water Seal Installation Shaft	1	0,146	
		90801010497	Water Seal Installation Base	1	0,198	
90801010526		Water Seal Press Tool Support Column	4	0,096		
	09160006202	Bearing 6202	1	0,089		